




# XJS (4.0L) 1995 Electrical Guide

 **WARNING:** This publication is intended for use by professional technicians with knowledge of Jaguar vehicle systems. All necessary safety precautions must be taken when servicing or handling components and systems that have the potential for causing bodily injury or death.

Publication number S 72/9540L

© 1994 Jaguar Cars Inc.  
PRINTED IN USA

All rights reserved. All material contained herein is based on the latest information available at the time of publication. The right is reserved to make changes at any time without notice.

## Front Matter

Component Index	i - iii
Key to Symbols and Codes	iv - v
Connector Identification	vi
Vehicle Control Module Identification and Location	vii
Component Panel Location	viii
Relay Identification and Location	ix
Fuse Identification and Location	x - xi

## Wiring Diagrams

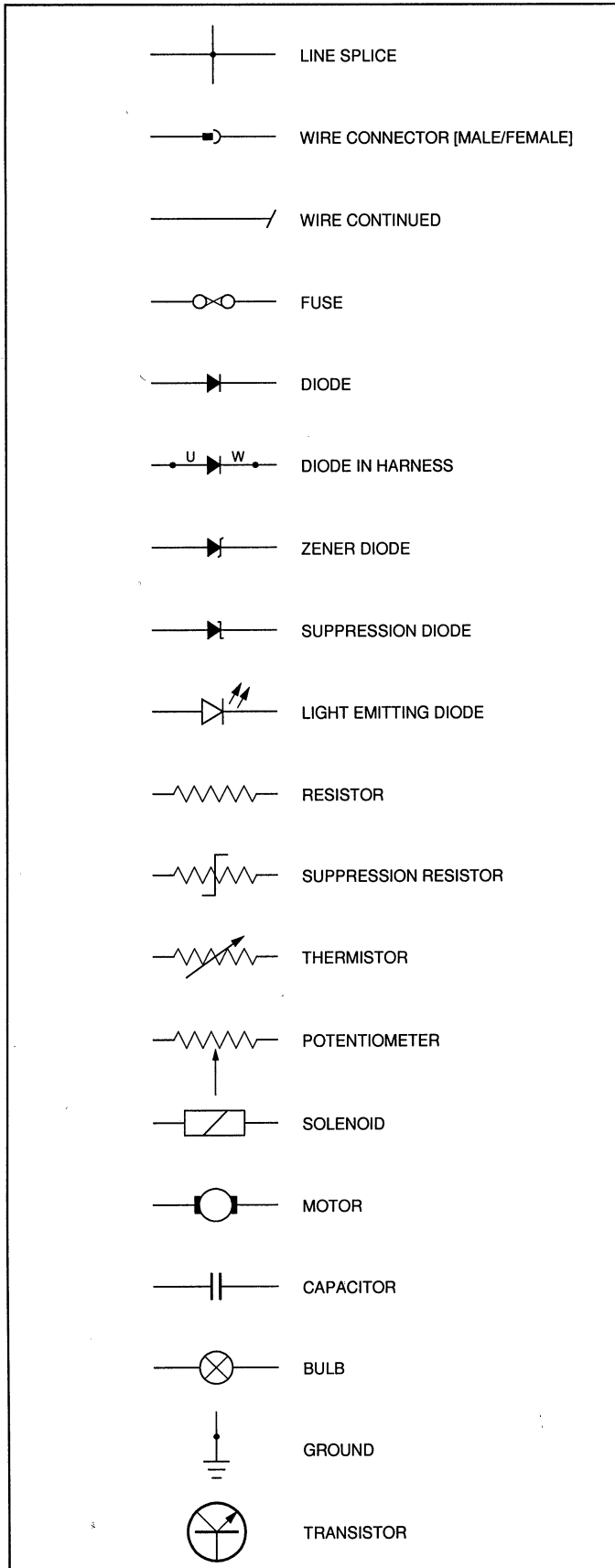
Battery Power Distribution	FIG 1
Ignition Switched Power Distribution	FIG 2
Starter; Generator; Gear Shift Interlock	FIG 3
Headlights; Fog Lights	FIG 4
Side Lights; Tail Lights; Reverse Lights	FIG 5
Turn Signals; Hazard Warning Lights; Stop Lights	FIG 6
Interior Lighting; Trunk Lighting	FIG 7
Instrument Lighting; Locate Lighting	FIG 8
Instrument Pack	FIG 9
Road Speed; Clock	FIG 10
Audible Warnings	FIG 11
Central Locking	FIG 12
Powered Windows	FIG 13
Horns; Cigar Lighters; Telephone Connection; Accessory Connection	FIG 14
Powered Seat: Driver (Memory); Door Mirrors	FIG 15
Powered Seat: Passenger	FIG 16
Seat Heaters	FIG 17
Heated Rear Window; Mirror Heaters	FIG 18
Windshield Wipers; Windshield and Headlight Washers; Engine Breather Heater	FIG 19
Anti-Lock Braking	FIG 20
Cruise Control	FIG 21
In-Car Entertainment	FIG 22
Climate Control	FIG 23
A/C Compressor Clutch; Auxiliary Cooling Fan	FIG 24
Engine Management System	FIG 25
Transmission Control	FIG 26
Convertible Top	FIG 27
Security System	FIG 28
Serial Communications Data Link	FIG 29
Canada Daytime Running Lights	FIG 30

ABS DIAGNOSTIC CONNECTOR	FIG 20	COOLANT LEVEL SENSOR	FIG 9
ABS MAIN VALVE	FIG 20	COOLANT LEVEL TRANSMITTER	FIG 9
ABS PUMP	FIG 20	COOLANT TEMPERATURE SENSOR	FIG 25
ABS RESERVOIR	FIG 20	COOLANT TEMPERATURE SWITCH	FIG 23
ABS VALVE BLOCK	FIG 20	COOLANT TEMPERATURE TRANSMITTER	FIG 9
AIR CONDITIONING COMPRESSOR CLUTCH	FIG 24	COOLING FAN	FIG 24
AIR PUMP AND SOLENOID VALVE	FIG 25	CRANKSHAFT POSITION SENSOR	FIG 25
AIR TEMPERATURE SENSOR	FIG 25	CRUISE CONTROL MODULE	FIG 21
AMBIENT TEMPERATURE SENSOR	FIG 19 FIG 23	CRUISE CONTROL MASTER SWITCH	FIG 21
ANTENNA	FIG 22	CRUISE CONTROL RESUME SWITCH	FIG 21
ANTENNA OVERRIDE DIODE	FIG 22	DATA LINK CONNECTOR	FIG 29
ANTI-SLOSH MODULE	FIG 9	DIMMER CONTROL	FIG 8
BATTERY	FIG 1	DIMMER CONTROL MODULE	FIG 8
BLOWER – LEFT	FIG 23	DOOR LOCK CONTROL UNIT	FIG 12
BLOWER – RIGHT	FIG 23	DOOR LOCK MOTOR – DRIVER'S	FIG 12
BRAKE (ABS) CONTROL MODULE	FIG 20	DOOR LOCK MOTOR – PASSENGER'S	FIG 12
BRAKE SWITCH	FIG 21	DOOR SWITCH PACK – DRIVER'S	FIG 15 FIG 17
BULB FAILURE UNIT – LEFT FRONT	FIG 5 FIG 30	DOOR SWITCH PACK – PASSENGER'S	FIG 16 FIG 17
BULB FAILURE UNIT – LEFT REAR	FIG 5 FIG 30	DOOR SWITCH PACK ILLUMINATION – DRIVER'S	FIG 8
BULB FAILURE UNIT – RIGHT FRONT	FIG 5 FIG 30	DOOR SWITCH PACK ILLUMINATION – PASSENGER'S	FIG 8
BULB FAILURE UNIT – RIGHT REAR	FIG 5 FIG 30	DOOR SWITCH – DRIVER'S	FIG 7 FIG 11 FIG 15 FIG 28
BULB FAILURE UNIT – STOP LIGHT	FIG 6	DOOR SWITCH – PASSENGER'S	FIG 7 FIG 16 FIG 28
CAMSHAFT POSITION SENSOR	FIG 25	DRIVER'S SEAT AND MIRROR CONTROL MODULE	FIG 15 FIG 29
CD AUTO CHANGER	FIG 22	DRIVER'S SEAT BELT SWITCH	FIG 11
CD HEAD UNIT	FIG 22	DUAL PRESSURE CUTOUT SWITCH	FIG 24
CIGAR LIGHTER	FIG 14	DUMP VALVE	FIG 21
CIGAR LIGHTER ILLUMINATION	FIG 8	EGR SOLENOID VACUUM VALVE	FIG 25
CLIMATE CONTROL MODULE	FIG 23	EGR TEMPERATURE SENSOR	FIG 25
CLIMATE CONTROL SOLENOID VALVE BLOCK	FIG 23	ENGINE BREATHER HEATER	FIG 19
CLIMATE CONTROL PANEL ILLUMINATION	FIG 8	ENGINE CONTROL MODULE	FIG 24 FIG 25 FIG 29
CLIMATE CONTROL PANEL MODULE	FIG 23	EVAPORATOR TEMPERATURE SENSOR	FIG 23
CLOCK	FIG 8 FIG 10	FEEDBACK POTENTIOMETER – LOWER	FIG 23
COLUMN SWITCH GEAR ILLUMINATION	FIG 8	FEEDBACK POTENTIOMETER – UPPER	FIG 23
COMBINED PRESSURE SWITCH	FIG 20	FLASHER UNIT	FIG 6
CONTROL VALVE – CRUISE CONTROL	FIG 21	FOG LIGHT SWITCH	FIG 4
CONVERTIBLE TOP CONTROL MODULE	FIG 27	FOG LIGHT SWITCH ILLUMINATION	FIG 8
CONVERTIBLE TOP FUSE	FIG 27		
CONVERTIBLE TOP MOTOR	FIG 27		
CONVERTIBLE TOP SWITCH	FIG 27		

FUEL FILLER FLAP SOLENOID	FIG 12	LUMBAR PUMP – DRIVER'S	FIG 15
FUEL INJECTORS	FIG 25	LUMBAR PUMP – PASSENGER'S	FIG 16
FUEL LEVEL TRANSMITTER	FIG 9	MASS AIR FLOW SENSOR	FIG 25
FUEL PUMP	FIG 25	MIRRORS	FIG 15
FUSE PANEL – FRONT	FIG 1 FIG 4 FIG 5 FIG 30	MIRROR ADJUST SWITCH PACK	FIG 15
FUSE PANEL – LEFT	FIG 1 FIG 2 FIG 8	MODE CONTROL SWITCH	FIG 23
FUSE PANEL – REAR	FIG 1 FIG 2 FIG 5 FIG 30	MULTI-FUNCTION UNIT	FIG 7 FIG 9 FIG 11 FIG 18 FIG 28
FUSE PANEL – RIGHT	FIG 1 FIG 2	OIL PRESSURE TRANSMITTER	FIG 9
GEAR SELECTOR ILLUMINATION	FIG 8	OXYGEN SENSORS	FIG 25
GEAR SELECTOR SWITCH (A4 ONLY)	FIG 21	PARK MICRO SWITCH	FIG 3
GEAR SHIFT CONTROL MODULE	FIG 3	PARKING BRAKE SWITCH	FIG 6 FIG 9 FIG 27
GEAR SHIFT SOLENOID	FIG 3	PASSENGER'S SEAT CONTROL MODULE	FIG 16
GENERATOR	FIG 3	PURGE VALVE	FIG 25
HAZARD SWITCH	FIG 6	QUARTER WINDOW MOTOR – LEFT	FIG 27
HAZARD SWITCH ILLUMINATION	FIG 8	QUARTER WINDOW MOTOR – RIGHT	FIG 27
HEADLIGHT CONTROL MODULE	FIG 4 FIG 30	RADIATOR THERMAL SWITCH	FIG 24
HEADLIGHT WASHER HEATERS	FIG 19	RADIO	FIG 22
HEATED REAR WINDOW SWITCH	FIG 18	RADIO ILLUMINATION	FIG 8
HORN S	FIG 14	RELAY – ABS MAIN	FIG 20
HORN SWITCH	FIG 14	RELAY – ABS PUMP	FIG 20
IDLE SPEED CONTROL VALVE	FIG 25	RELAY – AIR INJECTION	FIG 25
IGNITION COILS	FIG 25	RELAY – ANTENNA DELAY	FIG 22
IGNITION SWITCH	FIG 2 FIG 3	RELAY – AUXILIARY LOAD	FIG 2
IN -CAR TEMPERATURE SENSOR	FIG 23	RELAY – COMPRESSOR CLUTCH	FIG 24
INERTIA SWITCH	FIG 2	RELAY – COOLING FAN	FIG 24
INSTRUMENT PACK	FIG 9	RELAY – DAYTIME RUNNING LIGHTS	FIG 30
INSTRUMENT PACK ILLUMINATION	FIG 8	RELAY – ECM CONTROLLED	FIG 25
INTERIOR LIGHTING SWITCH	FIG 7	RELAY – EMS POWER	FIG 25
INTERIOR LIGHTING SWITCH ILLUMINATION	FIG 8	RELAY – FRONT FOG	FIG 4
KEY IN SWITCH	FIG 11	RELAY – FUEL PUMP	FIG 25
KEY LOCK SOLENOID	FIG 3	RELAY – HEADLIGHT	FIG 4
KICKDOWN SWITCH	FIG 26	RELAY – HEADLIGHT FLASH	FIG 28
KNOCK SENSORS	FIG 25	RELAY – HEADLIGHT FLASH	FIG 28
LIGHTING AND TURN SIGNAL SWITCH	FIG 4 FIG 5 FIG 6 FIG 11	RELAY – HEATED REAR WINDOW	FIG 18
		RELAY – HORN	FIG 14
		RELAY – INTERIOR LIGHTING	FIG 7
		RELAY – LEFT QUARTER DOWN	FIG 27
		RELAY – LEFT QUARTER UP	FIG 27
		RELAY – LOAD	FIG 2
		RELAY – REAR FOG	FIG 4

RELAY – REVERSE LIGHTS	FIG 5 FIG 15	THROTTLE POSITION SENSOR	FIG 25
RELAY – RIGHT QUARTER DOWN	FIG 27	TRANSMISSION CONTROL MODULE	FIG 26 FIG 29
RELAY – RIGHT QUARTER UP	FIG 27	TRANSMISSION	FIG 26
RELAY – SEAT HEATER	FIG 2	TRANSMISSION MODE SWITCH	FIG 26
RELAY – SIDE LIGHTS	FIG 5 FIG 8 FIG 11 FIG 30	TRANSMISSION MODE SWITCH ILLUMINATION	FIG 8
RELAY – STARTER	FIG 3	TRANSMISSION ROTARY SWITCH	FIG 3 FIG 5 FIG 15 FIG 26 FIG 27
RELAY – STOP LIGHT	FIG 6	TRIP COMPUTER CONNECTOR	FIG 10
RELAY – TOP DOWN	FIG 27	TRUNK LIGHT SWITCH	FIG 7 FIG 28
RELAY – TOP UP	FIG 27	TRUNK LOCK MOTOR	FIG 12
RELAY – TRANSMISSION POWER	FIG 26	WARNING LED	FIG 28
RELAY – TRANSMISSION WARNING	FIG 26	WASHER PUMPS	FIG 19
SEAT HEATER CONTROL UNIT – DRIVER'S	FIG 17	WASHER RESERVOIR LEVEL SENSOR	FIG 9
SEAT HEATER CONTROL UNIT – PASSENGER'S	FIG 17	WHEEL SPEED SENSORS	FIG 20
SEAT HEATERS – DRIVER'S	FIG 17	WINDOW MOTOR – DRIVER'S	FIG 13
SEAT HEATERS – PASSENGER'S	FIG 17	WINDOW MOTOR – PASSENGER'S	FIG 13
SECURITY SWITCH	FIG 28	WINDOW SWITCH – DRIVER'S	FIG 13
SECURITY SYSTEM CONTROL MODULE	FIG 3 FIG 28 FIG 29	WINDOW SWITCH – PASSENGER'S	FIG 13
SECURITY SYSTEM ANTENNA	FIG 28	WIPER LOGIC MODULE	FIG 19
SERVO – LOWER	FIG 23	WIPER MOTOR UNIT	FIG 19
SERVO – UPPER	FIG 23	WIPER SWITCH	FIG 19
SHOCK SENSOR	FIG 28		
SOUNDER	FIG 28		
SPEAKERS	FIG 22		
SPEED INTERFACE UNIT	FIG 10 FIG 21		
SPEED SENSOR	FIG 10 FIG 21		
STARTER MOTOR AND SOLENOID	FIG 3		
STOP LIGHT SWITCH	FIG 3 FIG 6 FIG 21		
TELEPHONE ANTENNA	FIG 14		
TELEPHONE CHARGE CONNECTOR	FIG 14		
TELEPHONE HANDSET	FIG 14		
TELEPHONE MICROPHONE	FIG 14		
TELEPHONE SPEAKER	FIG 14		
TELEPHONE TRANSCEIVER	FIG 14		
TEMPERATURE DEMAND POTENTIOMETER	FIG 23		
TEMPERATURE DIFFERENTIAL POTENTIOMETER	FIG 23		
THERMAL BREAKERS	FIG 27		

**Wiring Symbols**



**Wiring Color Codes**

N	Brown	Y	Yellow
B	Black	O	Orange
W	White	S	Slate
K	Pink	L	Light
G	Green	U	Blue
R	Red	P	Purple

When a wire has two or more color code letters, the first letter indicates the main color and the subsequent letter(s) indicate the tracer color(s).

**Wiring Harness Codes**

Code	Description
AB	ABS harness
AC	Air conditioning harness
BF	Boot fuse harness
BL	Boot lid harness
BN	Binnacle harness
CC	Cruise control harness
CH	Console harness
CS	Column switch gear harness
DD	Driver's door harness
DS	Driver's seat harness
EM	Engine management harness
FP	Fuel pump harness
GH	Gearbox harness
GS	Gear select harness
HH	Hood harness (convertible top)
HL	High level stop light harness
LB	Bulkhead harness (left-hand drive)
LF	Left forward harness
LI	Lucas injection harness
PD	Passenger's door harness
PS	Passenger's seat harness
RC	Rear courtesy light harness
RF	Right forward harness
RH	Rearward harness
SB	Seat belt harness
SC	Security system harness
SH	Seat harness
SM	Driver's seat control harness
SN	Passenger's seat control harness
SS	Steering column switch gear harness
ST	Starter motor harness
ZA	Shorting plug
ZC	Shorting plug

## Connector Codes

HARNESS CODE + CONNECTOR NUMBER + PIN NUMBER

EXAMPLE: LB13-24 (pin number is separated by a dash)

Note: Absence of a dash and a pin number indicates a single wire connector.

## Splice Codes

HARNESS CODE + S + IDENTIFICATION NUMBER

EXAMPLE: LBS3 (no dash is used)

## Ground Codes

HARNESS CODE + G + IDENTIFICATION NUMBER

EXAMPLE: LBG78 (no dash is used)

## Diode Codes

HARNESS CODE + D + IDENTIFICATION NUMBER

EXAMPLE: LSD3 (no dash is used)

## Reference Symbols

Two reference symbols are used to indicate the remainder of the circuit (feed and ground) and refer the reader to one of two preliminary figures.

 BATTERY POWER DISTRIBUTION (FIG 1)

 IGNITION SWITCHED POWER DISTRIBUTION (FIG 2)

## Reference Flags

 REFERENCE FLAG

This symbol refers the reader to a figure number only. It does not refer to a flag with the same number on a different figure.

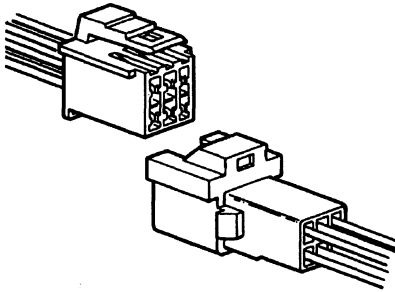
As used in figures 1, 2 and 3, the FLAG refers to a figure number where the circuit is continued. In this instance, the reader matches the BOX or DIAMOND numbers to trace the circuit.

In most other cases, it is not necessary to refer to another figure for completion of a circuit. The FLAGS are used to indicate parallel circuits and circuits which share components. Most of the circuits where this situation occurs are overlapped to avoid the necessity for cross-referencing to another figure.

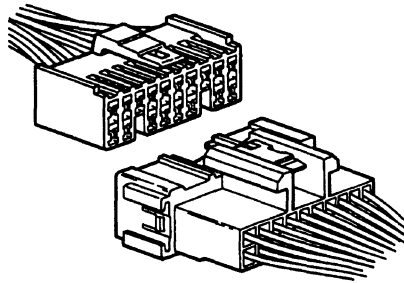
## Data Pages

Every wiring diagram has a corresponding data page to its left in the book. This information aids the reader in identifying and locating components, connectors and ground points. Additionally, where applicable, processor and logic unit INPUT / OUTPUT information is provided to aid the reader in understanding circuit operation. This information should not be used for diagnostic purposes.

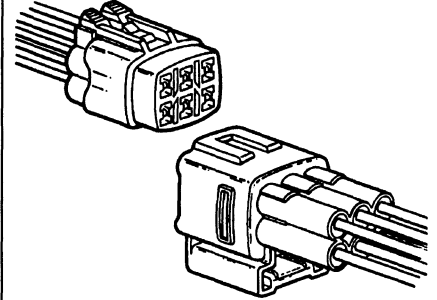
**SUMITOMO STANDARD**



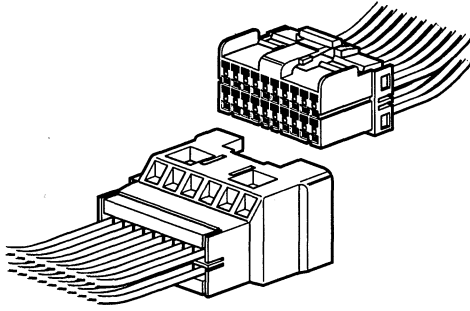
**SUMITOMO BLOCK**



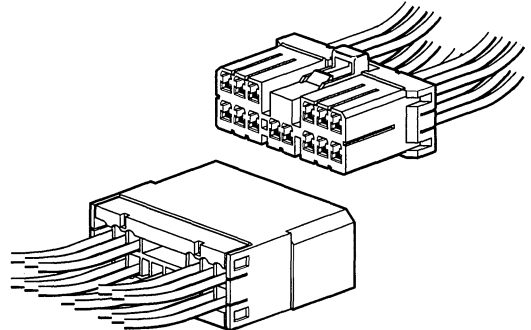
**SUMITOMO SEALED**



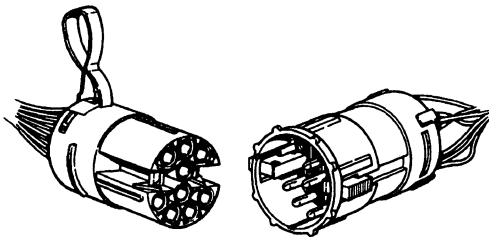
**MULTILOCK 040**



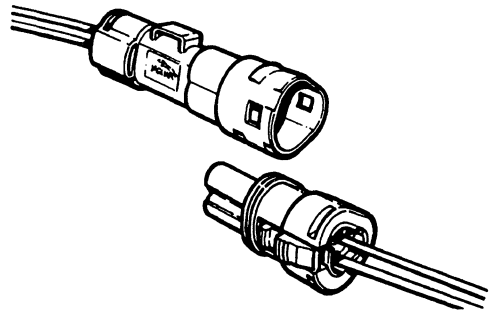
**MULTILOCK 070**



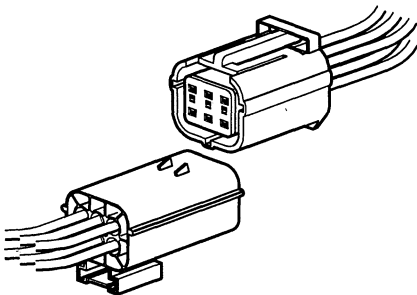
**PM 4**



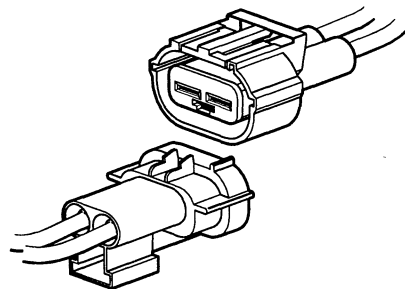
**PM 5**



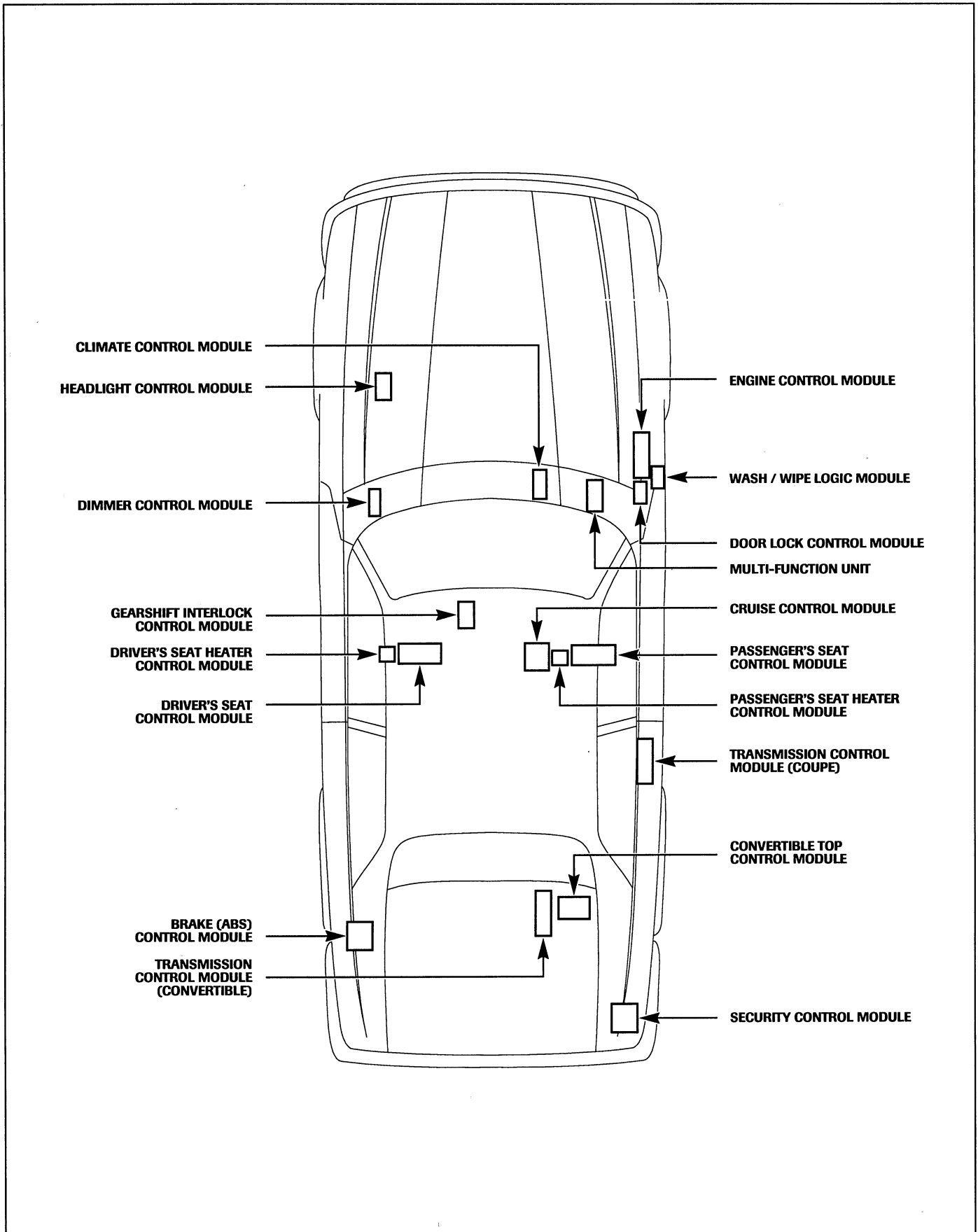
**ECONOSEAL III LC**

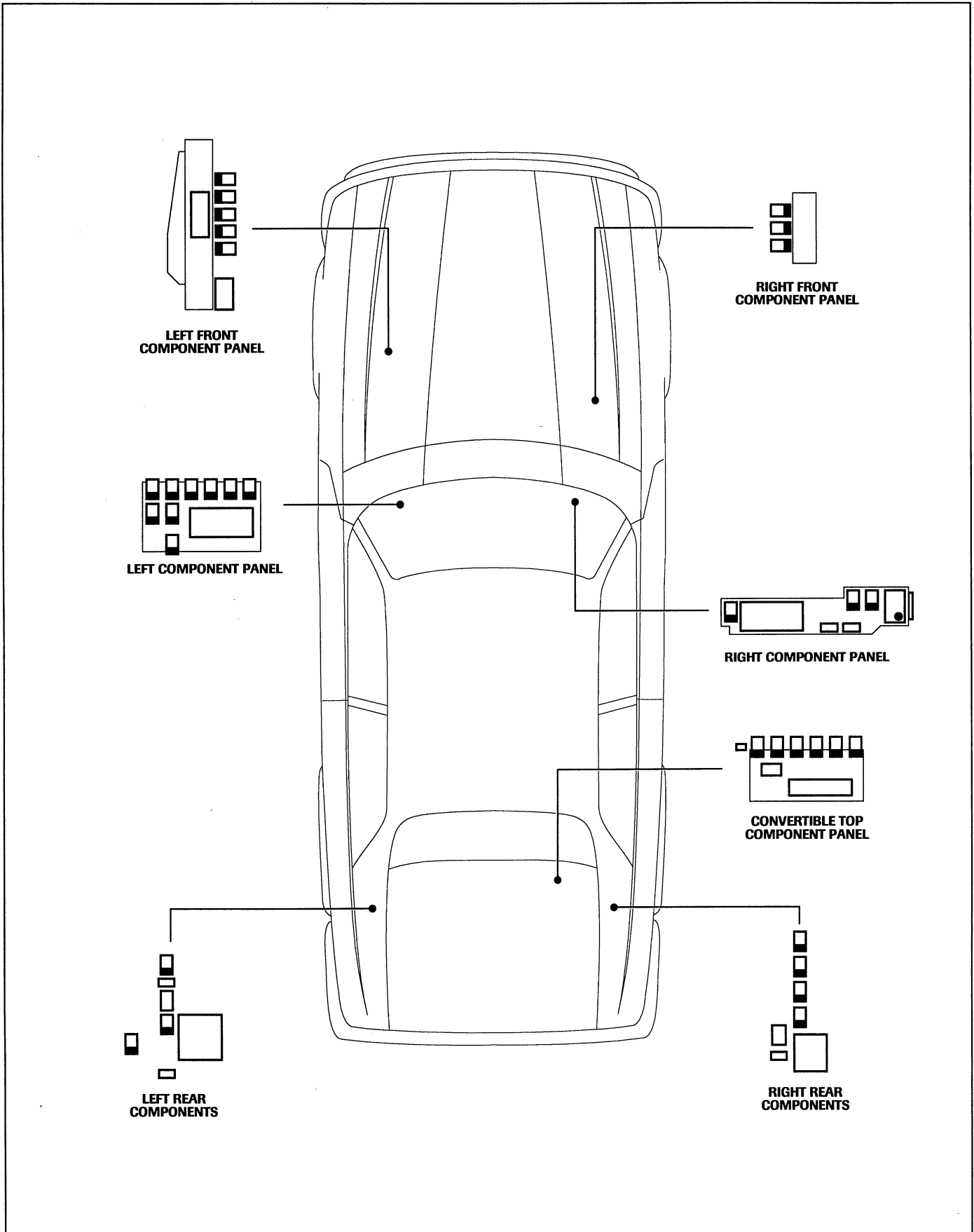


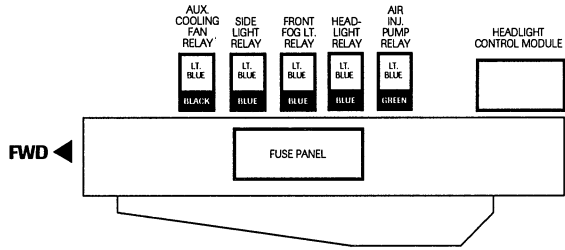
**ECONOSEAL III HC**



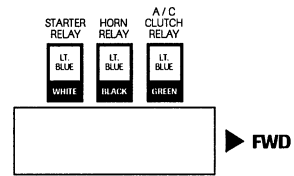




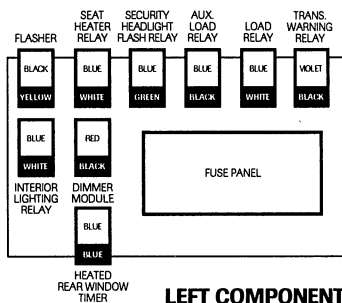




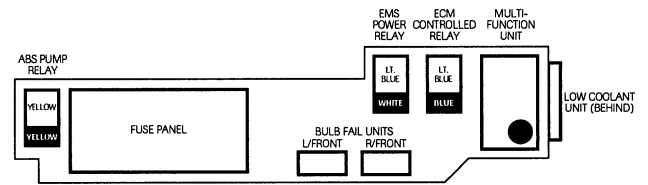
**LEFT FRONT COMPONENT PANEL**



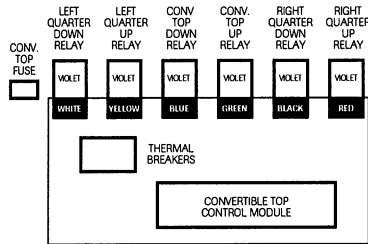
**RIGHT FRONT COMPONENT PANEL**



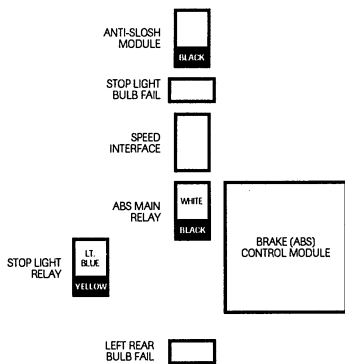
**LEFT COMPONENT PANEL**



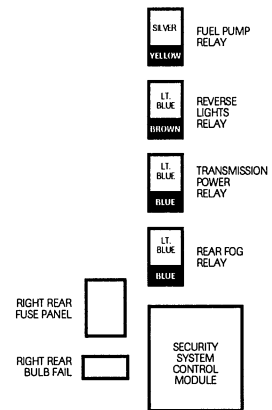
**RIGHT COMPONENT PANEL**



**CONVERTIBLE TOP COMPONENT PANEL**



**LEFT REAR COMPONENTS**



**RIGHT REAR COMPONENTS**

**Left fuse panel**

Number	Color	Value	Circuit
1	Lt. Blue	15A	Driver's seat movement - fore, aft, lumbar
2	Tan	5A	Cruise control
3	Yellow	20A	Left blower
4	Red	10A	Radio memory
5	Red	10A	Radio power
6	Tan	5A	Interior lights; serial communications data link
7	Tan	5A	Climate control (ECM and control circuit)
8	Red	10A	Windshield washer pump
9	Red	10A	Driver's seat heater
10	—	—	Not used
11	Red	10A	Trunk lighting
12	Yellow	20A	Driver's seat movement - recline
13	Tan	5A	Clock; gear shift interlock; climate control panel
14	Tan	5A	Power mirrors; door switch packs; seat memory
15	Tan	5A	Heated washer jets
16	Tan	5A	Speed interface; gear shift interlock; serial communications data link
17	Lt. Green	30A	Power windows
18	Orange	7.5A	Locate lighting; instrument pack lighting
19	Red	10A	Hazard warning; seat belt logic
20	—	—	Not used
21	—	—	Not used
22	Lt. Blue	15A	Heated rear window

**Right fuse panel**

Number	Color	Value	Circuit
1	Lt. Blue	15A	Passenger's seat movement - fore, aft, lumbar
2	Red	10A	Central locking; multi-function unit
3	Yellow	20A	Right blower
4	Tan	5A	Air conditioning compressor relay
5	Lt. Blue	15A	Horns
6	Brown	7.5A	Turn signals
7	Red	10A	EMS power relay; transmission relay
8	Lt. Blue	15A	Windshield wash/wipers (logic module)
9	Red	10A	Passenger's seat heater
10	Tan	5A	ECM controlled power
11	Lt. Green	30A	Brake (ABS) control module
12	Yellow	20A	Passenger's seat movement - recline
13	—	—	Not used
14	Tan	5A	ECM controlled relay
15	—	—	Not used
16	Red	20A	Cigar lighter
17	Lt. Green	30A	Headlight power wash
18	Lt. Blue	15A	Accessory connector
19	Lt. Blue	15A	Stop lights
20	Yellow	20A	Engine management system power
21	Red	10A	Transmission power
22	Lt. Green	30A	ABS Pump

## Left front fuse panel

Number	Color	Value	Circuit
1	Lt. Blue	15A	Not used - USA; daytime running lights - Canada
2	Lt. Blue	15A	Front fog lights
3	—	—	Not used
4	Lt. Blue	15A	Auxiliary cooling fan
5	Red	10A	Left headlight high beam
6	Red	10A	Right headlight high beam
7	Tan	5A	Left front side lights
8	Tan	5A	Right front side lights
9	Brown	7.5A	Left headlight low beam
10	Brown	7.5A	Right headlight low beam
11	—	—	Not used
12	Tan	5A	Not used

## Rear fuse panel

Number	Color	Value	Circuit
1	Tan	5A	Cellular telephone power
2	Yellow	20A	Not used
3	—	—	Not used
4	Tan	5A	Right tail, right license plate lighting
5	Red	10A	Rear fog lights; antenna
6	Tan	5A	Cellular phone memory
7	Tan	5A	Reverse lights
8	Tan	5A	Left tail; left license plate lighting
9	Tan	5A	Trailer right tail lighting
10	Tan	5A	Trailer left tail lighting
11	Orange	7.5A	Security system
12	Yellow	20A	Fuel pump

# FIG 1 DATA

## COMPONENTS

### DESCRIPTION

BATTERY  
 FUSE PANEL — LEFT FRONT  
 FUSE PANEL — LEFT  
 FUSE PANEL — REAR  
 FUSE PANEL — RIGHT

### LOCATION

TRUNK  
 LEFT FRONT COMPONENT PANEL  
 LEFT COMPONENT PANEL  
 RIGHT TAIL LIGHT  
 RIGHT COMPONENT PANEL

### ACCESS

REMOVE TRUNK TRIM  
 ENGINE COMPARTMENT  
 LEFT UNDER DASH PANEL  
 TRUNK, RIGHT LIGHT TRIM  
 RIGHT UNDER DASH PANEL

## CONNECTORS

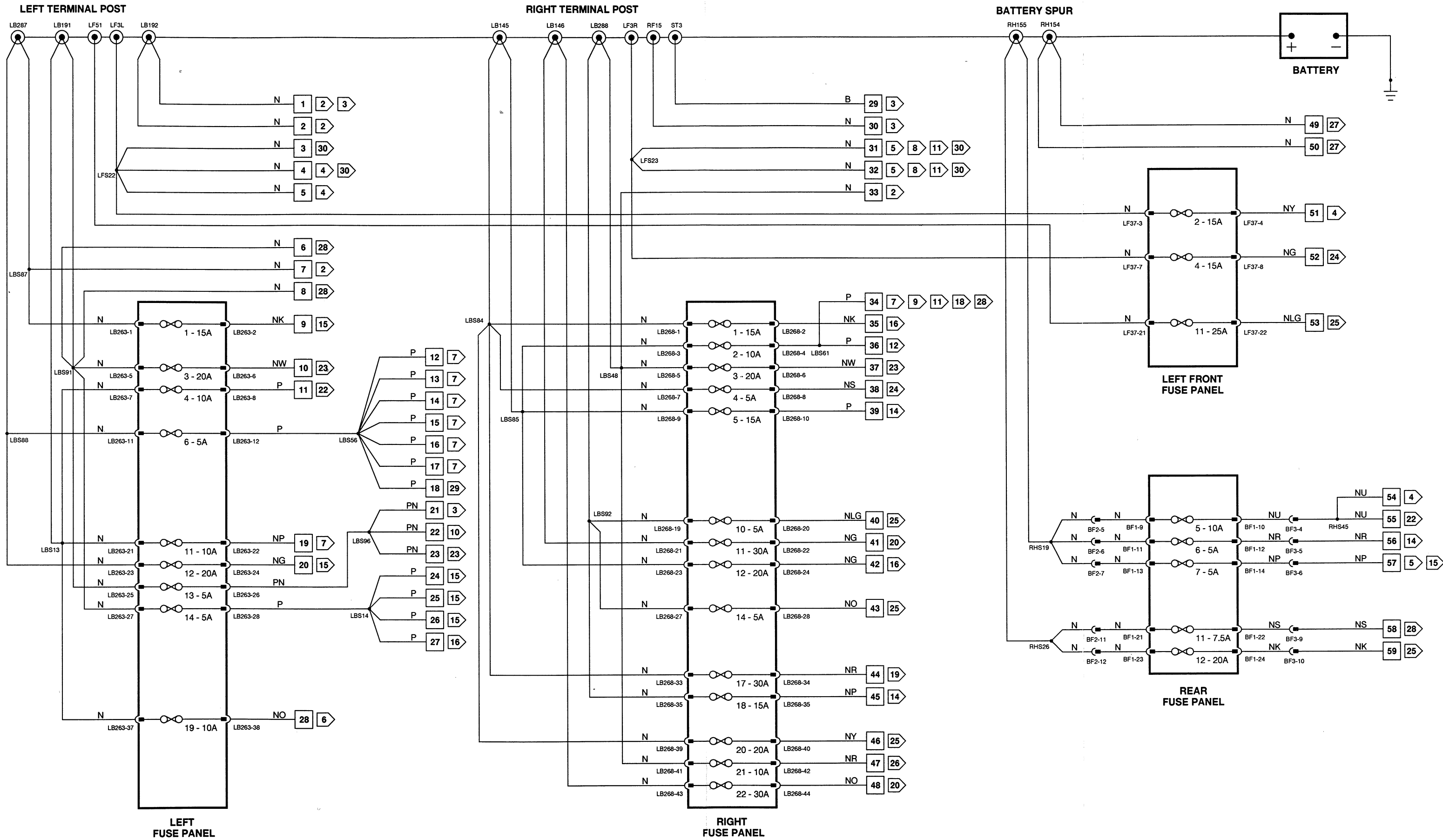
### CODE

### DESCRIPTION

BF1 FUSE PANEL CONNECTOR (BLACK)  
 BF2 12-WAY MULTILOCK 70 (WHITE)  
 BF3 10-WAY MULTILOCK 70 (WHITE)  
 LB145 EYELET  
 LB146 EYELET  
 LB191 EYELET  
 LB192 EYELET  
 LB263 22-WAY FUSE PANEL  
 LB268 22-WAY FUSE PANEL  
 LB287 EYELET  
 LB288 EYELET  
 LF3L EYELET  
 LF3R EYELET  
 LF37 FUSE PANEL CONNECTOR (BLACK)  
 LF51 EYELET  
 LI134 20-WAY MULTILOCK 70 (WHITE)  
 RF15 EYELET  
 RH154 SPUR  
 RH155 SPUR  
 ST3 EYELET

### LOCATION / INTERFACE

ADJACENT TO RIGHT REAR TAIL LIGHT CLUSTER / REAR FUSE PANEL  
 ADJACENT TO RIGHT REAR TAIL LIGHT CLUSTER / REAR FUSE PANEL  
 ADJACENT TO RIGHT REAR TAIL LIGHT CLUSTER / RIGHT REAR HARNESS  
 RIGHT BULKHEAD, BEHIND DASH / BATTERY POSITIVE STUD  
 RIGHT BULKHEAD, BEHIND DASH / BATTERY POSITIVE STUD  
 LEFT BULKHEAD, BEHIND DASH / BATTERY POSITIVE STUD  
 LEFT BULKHEAD, BEHIND DASH / BATTERY POSITIVE STUD  
 DRIVER'S UNDER DASH PANEL / LEFT FUSE PANEL  
 PASSENGER'S UNDER DASH PANEL / RIGHT FUSE PANEL  
 LEFT BULKHEAD, BEHIND DASH / BATTERY POSITIVE STUD  
 RIGHT BULKHEAD BEHIND DASH PANEL / BATTERY POSITIVE STUD  
 LEFT BULKHEAD, ENGINE STUD / BATTERY POSITIVE STUD  
 LEFT BULKHEAD, ENGINE STUD / BATTERY POSITIVE STUD  
 LEFT FRONT COMPONENT PANEL / LEFT FRONT HARNESS  
 LEFT BULKHEAD BEHIND DASH PANEL / BATTERY POSITIVE STUD  
 LOWER RIGHT 'A' POST / ENGINE MANAGEMENT HARNESS  
 RIGHT BULKHEAD, ENGINE COMPARTMENT / GENERATOR  
 TRUNK, BATTERY POSITIVE CABLE / CONVERTIBLE TOP  
 TRUNK, BATTERY POSITIVE CABLE / CONVERTIBLE TOP  
 RIGHT BULKHEAD, ENGINE COMPARTMENT / STARTER SOLENOID



■ BATTERY POWER (FIG 1)     
 ■ IGNITION POWER (FIG 2)     
 ■ FIG NUMBER REFERENCE

NOTE: ONLY FUSES WITH DIRECT BATTERY POWER SUPPLY ARE SHOWN.

# FIG 2 DATA

## COMPONENTS

### DESCRIPTION

FUSE PANEL — LEFT  
FUSE PANEL — RIGHT  
FUSE PANEL — REAR  
IGNITION SWITCH  
INERTIA SWITCH  
RELAY — AUXILIARY LOAD (LB139)  
RELAY — SEAT HEATER (LB283)  
RELAY — LOAD (LB175)

### LOCATION

LEFT COMPONENT PANEL  
RIGHT COMPONENT PANEL  
RIGHT TAIL LIGHT  
STEERING COLUMN, RIGHT  
RIGHT 'A' POST  
LEFT COMPONENT PANEL  
LEFT COMPONENT PANEL  
LEFT COMPONENT PANEL

### ACCESS

LEFT UNDER DASH PANEL  
RIGHT UNDER DASH PANEL  
TRUNK, RIGHT LIGHT TRIM  
REMOVE STEERING COLUMN TRIM  
TRIM COVER  
LEFT UNDER DASH PANEL  
LEFT UNDER DASH PANEL  
LEFT UNDER DASH PANEL

## CONNECTORS

### CODE

BF1 FUSE PANEL CONNECTOR (BLACK)  
BF2 12-WAY MULTILOCK 70 (WHITE)  
BF3 10-WAY MULTILOCK 70 (WHITE)  
LB139 RELAY BASE (BLACK)  
LB175 RELAY BASE (WHITE)  
LB202 4-WAY ECONOSEAL III (BLACK)  
LB212 3-WAY ECONOSEAL III LC (SLATE)  
LB263 22-WAY FUSE PANEL (BLACK)  
LB268 22-WAY FUSE PANEL (BLACK)  
LB283 RELAY BASE (NATURAL)  
LF1 16-WAY SUMITOMO BLOCK (RED)  
LI135 4-WAY ECONOSEAL III (BLACK)  
RH160 24-WAY SUMITOMO BLOCK (WHITE)  
RH161 20-WAY SUMITOMO BLOCK (WHITE)

### DESCRIPTION

### LOCATION / INTERFACE

ADJACENT TO RIGHT REAR TAIL LIGHT CLUSTER / REAR FUSE PANEL  
ADJACENT TO RIGHT REAR TAIL LIGHT CLUSTER / REAR FUSE PANEL  
ADJACENT TO RIGHT REAR TAIL LIGHT CLUSTER / RIGHT REAR HARNESS  
LEFT COMPONENT PANEL / AUXILIARY LOAD RELAY  
LEFT COMPONENT PANEL / LOAD RELAY  
ADJACENT TO STEERING COLUMN / IGNITION SWITCH  
RIGHT 'A' POST / INERTIA SWITCH  
DRIVER'S UNDER DASH FUSE PANEL / LEFT FUSE PANEL  
PASSENGER'S UNDER DASH FUSE PANEL / RIGHT FUSE PANEL  
LEFT COMPONENT PANEL / SEAT HEATER RELAY  
LOWER LEFT 'A' POST / BULKHEAD HARNESS  
LOWER RIGHT 'A' POST / BULKHEAD HARNESS  
BELOW LOWER LEFT A/C OUTLET / REARWARD HARNESS  
BELOW LOWER LEFT A/C OUTLET / REARWARD HARNESS

## GROUND

### CODE

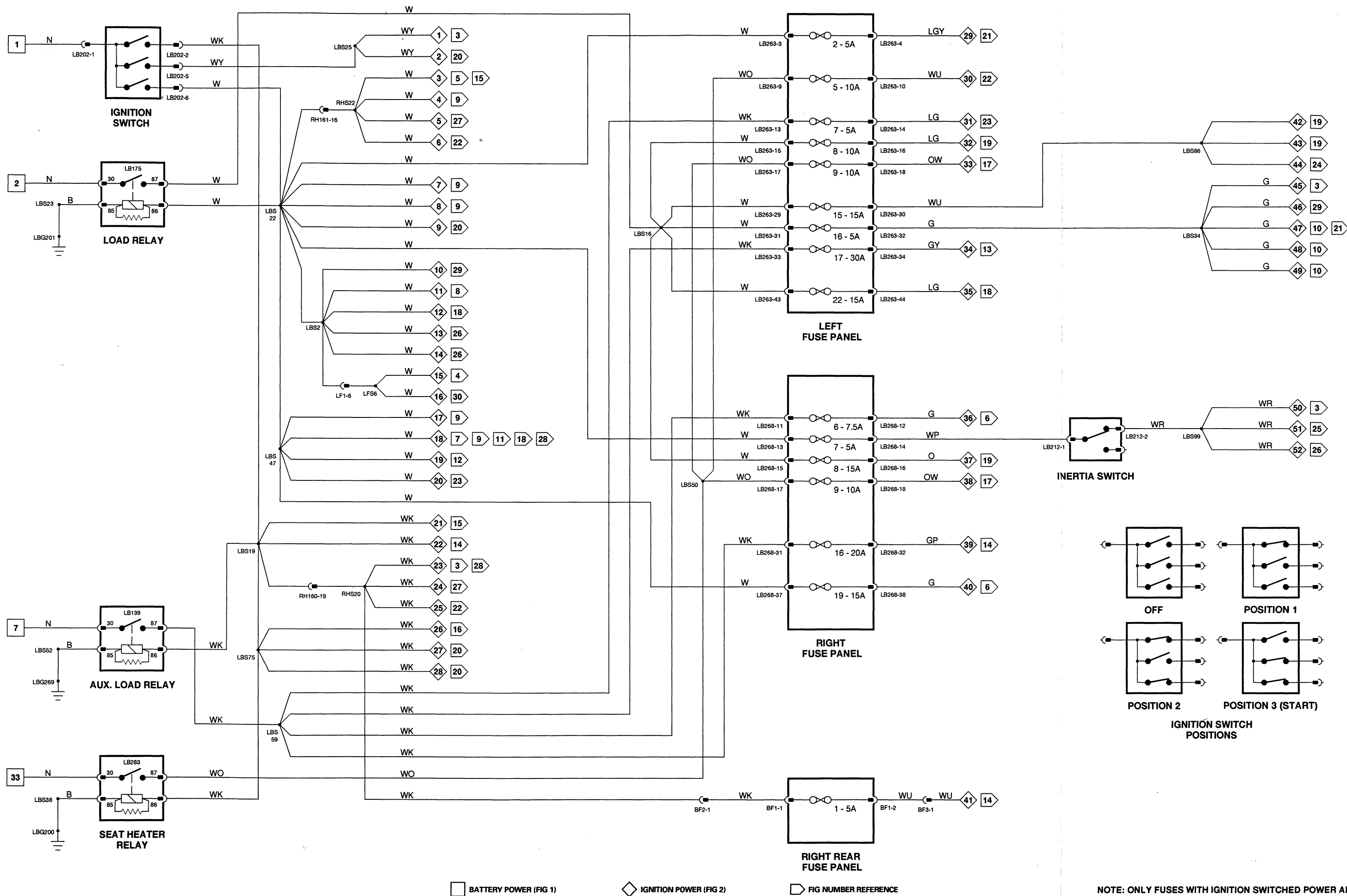
LBG201 EYELET  
LBG269 EYELET

### DESCRIPTION

### LOCATION / INTERFACE

LEFT 'A' POST FASCIA END PANEL / POWER GROUND  
RIGHT 'A' POST FASCIA END PANEL / POWER GROUND





BATTERY POWER (FIG 1)
 ◇ IGNITION POWER (FIG 2)
▭ FIG NUMBER REFERENCE

NOTE: ONLY FUSES WITH IGNITION SWITCHED POWER ARE SHOWN.

# FIG 3 DATA

## COMPONENTS

### DESCRIPTION

DIODE — RFD2  
 GEAR SHIFT CONTROL MODULE  
 GEAR SHIFT SOLENOID  
 GENERATOR  
 IGNITION SWITCH  
 KEY LOCK SOLENOID  
 PARK MICRO SWITCH  
 RELAY — STARTER (RF19)  
 SECURITY SYSTEM CONTROL MODULE  
 STARTER MOTOR AND SOLENOID  
 STOP LIGHT SWITCH  
 TRANSMISSION ROTARY SWITCH

### LOCATION

RIGHT FRONT COMPONENT PANEL, BELOW MAIN RELAY  
 CENTER CONSOLE, REAR OF GEARSHIFT  
 CENTER CONSOLE, FRONT OF GEARSHIFT  
 LEFT FRONT OF ENGINE  
 STEERING COLUMN, RIGHT  
 ABOVE IGNITION SWITCH  
 CENTER CONSOLE, FRONT OF GEARSHIFT  
 RIGHT FRONT COMPONENT PANEL  
 RIGHT REAR TAIL LIGHT CLUSTER  
 ENGINE  
 ABOVE BRAKE PEDAL  
 LEFT SIDE OF GEARBOX

### ACCESS

ENGINE COMPARTMENT  
 CENTER CONSOLE WOOD TRIM  
 CENTER CONSOLE WOOD TRIM  
 ENGINE COMPARTMENT  
 REMOVE STEERING COLUMN TRIM  
 STEERING COLUMN COWL  
 CENTER CONSOLE WOOD TRIM  
 ENGINE COMPARTMENT, RIGHT  
 RIGHT REAR TRUNK TRIM  
 —  
 LEFT UNDER DASH PANEL  
 ON GEARBOX

## CONNECTORS

### CODE

### DESCRIPTION

GH9 16-WAY SUMITOMO BLOCK (BLACK)  
 GH12 8-WAY MULTILOCK 70 (WHITE)  
 GH13 20-WAY MULTILOCK 40 (BLACK)  
 GS1 13-WAY SUMITOMO STD. (WHITE)  
 GS9 .250 BLADE (YELLOW)  
 GS10 .250 BLADE (YELLOW)  
 GS11 9-WAY AMP (BLACK / YELLOW)  
 GS12 2-WAY MULTILOCK 70 (WHITE)  
 HH32 6-WAY SUMITOMO STD. (WHITE)  
 LB167 4-WAY SUMITOMO STD. (RED)  
 LB202 4-WAY ECONOSEAL III (BLACK)  
 LB289 2-WAY MULTILOCK 40 (BLUE)  
 LI86 3-WAY NIPPON DENSO (WHITE)  
 LI244 20-WAY MULTILOCK 70 (WHITE)  
 RF1 20-WAY SUMITOMO BLOCK (RED)  
 RF14 2-WAY ECONOSEAL III (BLACK)  
 RF19 RELAY BASE (WHITE)  
 RH161 20-WAY SUMITOMO BLOCK (WHITE)  
 RH174 13-WAY SUMITOMO (WHITE)  
 RH178 20-WAY MULTILOCK 40 (BLACK)  
 RH179 20-WAY MULTILOCK 40 (WHITE)  
 ST1 EYELET  
 ST2 EYELET

### LOCATION / INTERFACE

BELOW LOWER LEFT A/C OUTLET / BULKHEAD HARNESS  
 LOWER RIGHT SIDE OF A/C UNIT / TRANSMISSION ROTARY SWITCH  
 BELOW LOWER RIGHT A/C OUTLET / ENGINE MANAGEMENT HARNESS  
 BELOW RIGHT A/C OUTLET / GEARSHIFT CONTROL MODULE  
 CENTER CONSOLE PARK SWITCH / PARK MICRO SWITCH  
 CENTER CONSOLE PARK SWITCH / PARK MICRO SWITCH  
 CENTER CONSOLE, LEFT OF GEARSHIFT / GEARSHIFT CONTROL MODULE  
 CENTER CONSOLE, REAR / GEARSHIFT SOLENOID  
 ABOVE RIGHT REAR WHEEL ARCH / TRANSMISSION ROTARY SWITCH HARNESS  
 ABOVE BRAKE PEDAL / STOP LIGHT SWITCH  
 ADJACENT TO STEERING COLUMN / IGNITION SWITCH  
 ADJACENT TO STEERING COLUMN / KEY LOCK SOLENOID  
 LEFT FRONT OF ENGINE / GENERATOR  
 RIGHT 'A' POST / GENERATOR  
 RIGHT 'A' POST / ENGINE TO BULKHEAD HARNESS  
 STARTER SOLENOID LINK LEAD / STARTER SOLENOID  
 RIGHT FRONT COMPONENT PANEL / STARTER RELAY  
 BELOW LOWER LEFT A/C OUTLET / REARWARD HARNESS  
 BELOW LOWER LEFT A/C OUTLET / RIGHT SIDE HARNESS  
 BELOW RIGHT REAR TAIL LIGHT CLUSTER / SECURITY SYSTEM CONTROL MODULE  
 BEHIND RIGHT REAR TAIL LIGHT / SECURITY SYSTEM CONTROL MODULE  
 STARTER MOTOR / STARTER SOLENOID  
 GENERATOR BODY / GENERATOR

## GROUND

### CODE

### DESCRIPTION

LBG201 EYELET  
 LBG270 EYELET  
 RHG156 EYELET

### LOCATION / INTERFACE

LEFT 'A' POST FASCIA END PANEL / POWER GROUND  
 RIGHT 'A' POST FASCIA END PANEL / POWER GROUND  
 BEHIND RIGHT REAR TAIL LIGHT CLUSTER / POWER GROUND

## INPUTS / OUTPUTS

### GEAR SHIFT CONTROL MODULE

### CODE

### IN / OUT

### CIRCUIT

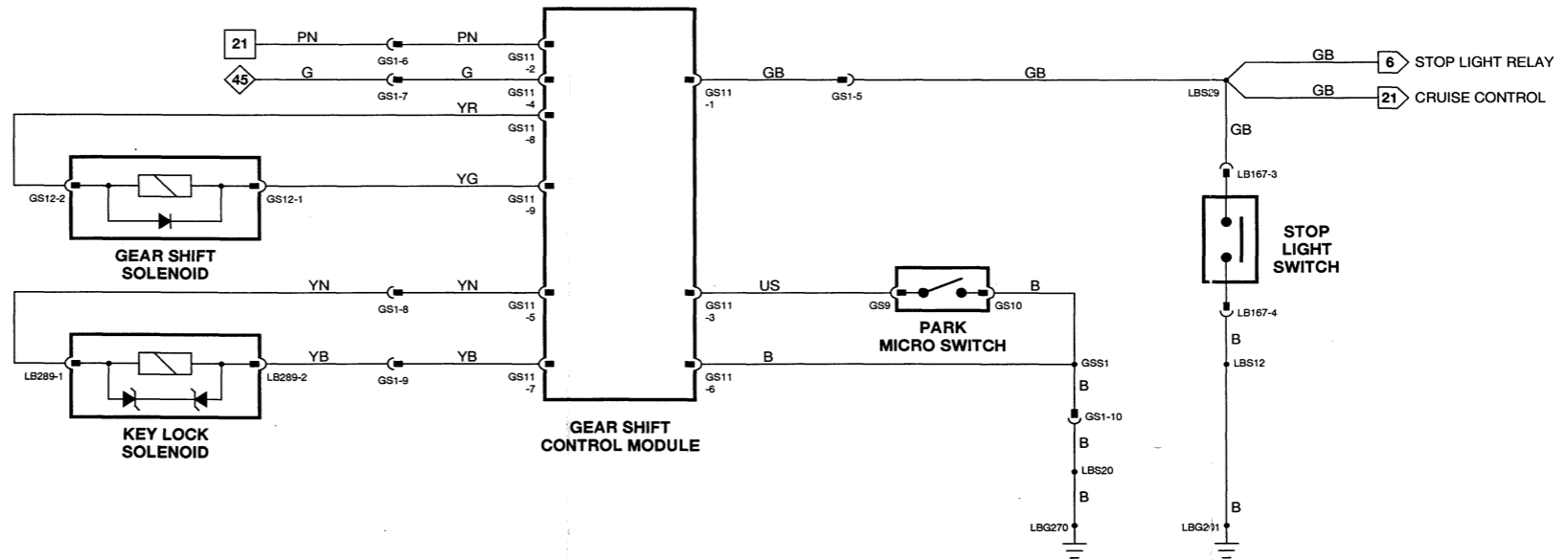
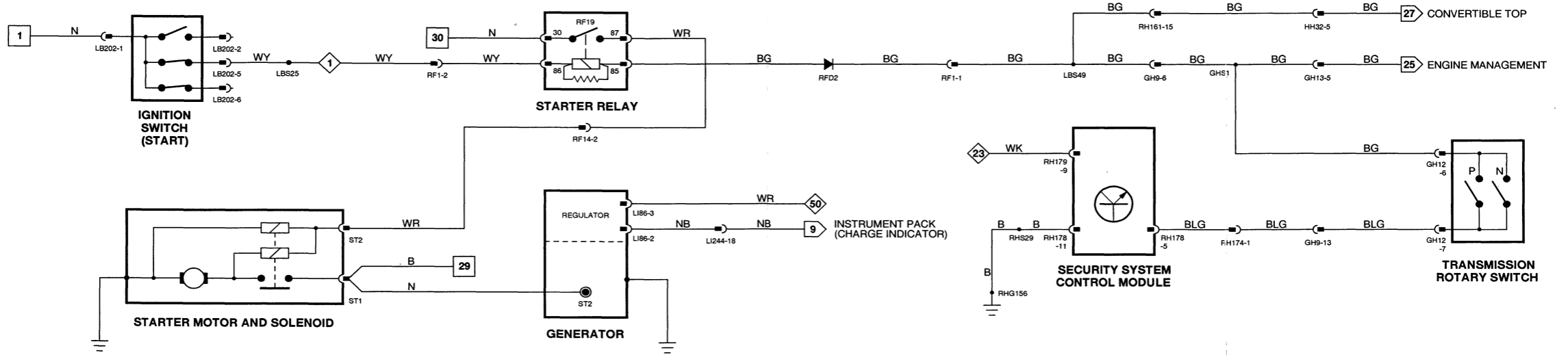
GS11-1 INPUT STOP LIGHT SWITCH  
 GS11-2 INPUT BATTERY POWER  
 GS11-3 INPUT PARK MICRO SWITCH  
 GS11-4 INPUT IGNITION SWITCHED POWER  
 GS11-5 OUTPUT KEY LOCK SOLENOID  
 GS11-6 INPUT POWER GROUND  
 GS11-7 INPUT KEY LOCK SOLENOID  
 GS11-8 INPUT GEAR SHIFT SOLENOID  
 GS11-9 OUTPUT GEAR SHIFT SOLENOID

### ACTIVE

KEY ON, BRAKE APPLIED: GROUND  
 12V  
 KEY ON, "P": 12V  
 KEY ON: 12V  
 KEY ON, "P": GROUND  
 GROUND  
 PARK: GROUND  
 PARK: GROUND  
 KEY ON, BRAKE RELEASED: GROUND

### INACTIVE

BRAKE RELEASED: 12V  
 12V  
 KEY ON, "R", "N", "D", "3", "2": GROUND  
 KEY OFF: OPEN CIRCUIT  
 KEY OFF: OPEN CIRCUIT  
 GROUND  
 "R", "N", "D", "3", "2": OPEN CIRCUIT  
 "R", "N", "D", "3", "2": OPEN CIRCUIT  
 BRAKE APPLIED: 12V



□ BATTERY POWER (FIG 1)

◇ IGNITION POWER (FIG 2)

▭ FIG NUMBER REFERENCE

# FIG 4 DATA

## COMPONENTS

### DESCRIPTION

DIODE — LBD1  
 DIODE — LBD2  
 DIODE — SPD1  
 FOG LIGHT SWITCHES\*  
 FUSE PANEL — LEFT FRONT  
 HEADLIGHT CONTROL MODULE  
 LIGHTING AND TURN SIGNAL SWITCH  
 RELAY — FRONT FOG (LF45)  
 RELAY — HEADLIGHT (LF9)  
 RELAY — REAR FOG (RH203)

### LOCATION

STEERING COLUMN, 6" RIGHT OF FUSE PANEL  
 STEERING COLUMN, 6" RIGHT OF FUSE PANEL  
 RIGHT SIDE OF CENTER CONSOLE IN SHORTING PLUG  
 CENTER CONSOLE, LEFT  
 LEFT FRONT COMPONENT PANEL  
 LEFT FRONT COMPONENT PANEL  
 STEERING COLUMN, LEFT  
 LEFT FRONT COMPONENT PANEL  
 LEFT FRONT COMPONENT PANEL  
 ABOVE RIGHT REAR WHEEL ARCH

### ACCESS

LEFT UNDER DASH PANEL  
 LEFT UNDER DASH PANEL  
 RIGHT SIDE CHEEK PANEL  
 SWITCHPACK  
 ENGINE COMPARTMENT  
 ENGINE COMPARTMENT  
 STEERING COLUMN TRIM  
 ENGINE COMPARTMENT  
 ENGINE COMPARTMENT  
 RIGHT TRUNK TRIM PANEL

\* FOG LIGHT SWITCHES AND HAZARD / HEATED REAR WINDOW SWITCH LOCATIONS DIFFER DEPENDENT ON INSTALLED OPTIONS. CONNECTOR, PIN AND WIRE INFORMATION REMAINS THE SAME FOR ALL OPTIONS.

## CONNECTORS

### CODE

### DESCRIPTION

### LOCATION / INTERFACE

BL4	4-WAY SUMITOMO STD. (WHITE)	TRUNK LID, LEFT CENTER / LEFT REAR FOG LIGHTS
BL10	4-WAY SUMITOMO STD. (WHITE)	TRUNK LID, RIGHT CENTER / RIGHT REAR FOG LIGHTS
BL11	8-WAY SUMITOMO STD. (WHITE)	TOP RIGHT OF FUEL TANK / REAR FOG LIGHT GROUND
BN2	8-WAY MULTILOCK 70 (WHITE)	BEHIND FOG LIGHT SWITCH PACK / FOG LIGHT SWITCH
BN5	20-WAY SUMITOMO BLOCK (WHITE)	BELOW LOWER RIGHT A/C OUTLET / FOG LIGHT SWITCH GROUND
CS1	20-WAY SUMITOMO BLOCK (WHITE)	ADJACENT TO STEERING COLUMN / COLUMN SWITCH GEAR HARNESS
CS2	6-WAY SUMITOMO STD. (WHITE)	LIGHTING STALK SWITCH GEAR / LIGHTING AND TURN SIGNAL SWITCH
CS5	.250 BLADE (WHITE)	LIGHTING AND TURN SIGNAL SWITCH / BULKHEAD HARNESS, HIGH BEAMS
CS6	.250 BLADE (WHITE)	LIGHTING AND TURN SIGNAL SWITCH / BULKHEAD HARNESS, SWITCH GROUND
LF1	18-WAY SUMITOMO BLOCK (RED)	LEFT 'A' POST / BULKHEAD HARNESS
LF2	13-WAY SUMITOMO BLOCK (WHITE)	LEFT 'A' POST / BULKHEAD HARNESS
LF6	6-WAY AMP (BLACK)	LEFT FRONT COMPONENT PANEL / HEADLIGHT CONTROL UNIT
LF9	RELAY BASE (BLUE)	LEFT FRONT COMPONENT PANEL / HEADLIGHT RELAY
LF22	4-WAY SUMITOMO SEALED (GREEN)	RIGHT FRONT RADIATOR SUPPORT / RIGHT HEADLIGHTS
LF25	3-WAY PM 5 (YELLOW)	BEHIND RIGHT FRONT VALENCE / RIGHT FRONT FOG LIGHT
LF29	4-WAY SUMITOMO SEALED (GREEN)	LEFT FRONT RADIATOR SUPPORT / LEFT HEADLIGHTS
LF33	3-WAY PM 5 (YELLOW)	BEHIND LEFT FRONT VALENCE / LEFT FRONT FOG LIGHTS
LF37	FUSE PANEL CONNECTOR (BLACK)	LEFT FRONT COMPONENT PANEL / LEFT FRONT FUSE PANEL
LF45	RELAY BASE (BLUE)	LEFT FRONT COMPONENT PANEL / FRONT FOG LIGHT RELAY
RH160	24-WAY SUMITOMO BLOCK (WHITE)	BELOW LOWER LEFT A/C OUTLET / REARWARD HARNESS
RH203	RELAY BASE (BLUE)	ABOVE RIGHT REAR WHEEL ARCH / REAR FOG LIGHT RELAY
ZA1	8-WAY SUMITOMO STD. (BLACK)	RIGHT SIDE OF CENTER CONSOLE / FRONT FOG LIGHT SHORTING PLUG
ZC1	10-WAY SUMITOMO STD. (WHITE)	LEFT REAR TAIL LIGHT CLUSTER / REAR FOG LIGHT SHORTING PLUG

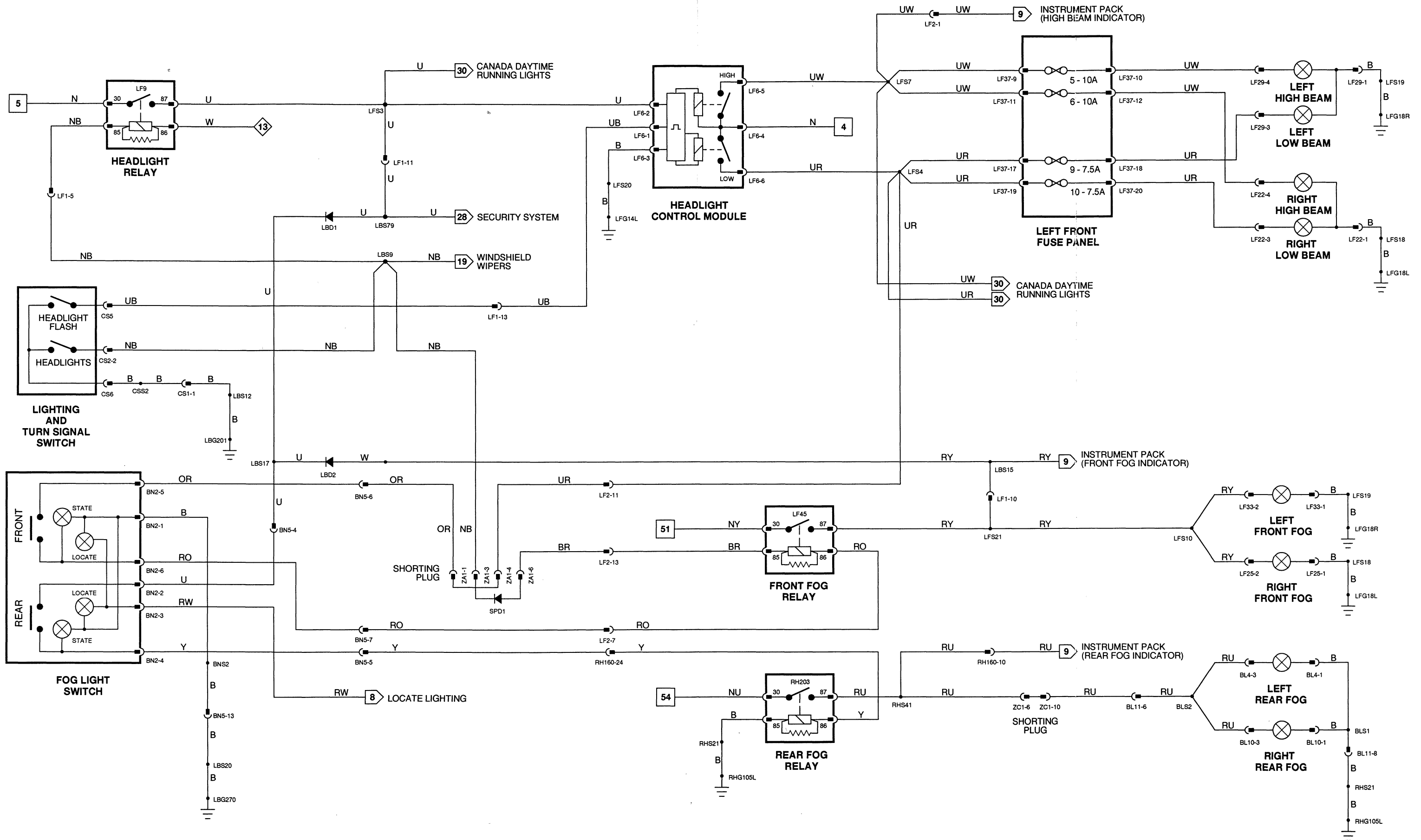
## GROUNDS

### CODE

### DESCRIPTION

### LOCATION / INTERFACE

LBG201	EYELET	LEFT 'A' POST FASCIA END PANEL / POWER GROUND
LBG270	EYELET	RIGHT 'A' POST FASCIA END PANEL / POWER GROUND
LFG14L	EYELET	TOP LEFT RADIATOR SUPPORT MOUNTING / POWER GROUND
LFG18L	EYELET	TOP LEFT RADIATOR SUPPORT MOUNTING / POWER GROUND
LFG18R	EYELET	TOP RIGHT RADIATOR SUPPORT MOUNTING / POWER GROUND
RHG105L	EYELET	RIGHT REAR INNER WHEEL ARCH / POWER GROUND



□ BATTERY POWER (FIG 1)

◇ IGNITION POWER (FIG 2)

▣ FIG NUMBER REFERENCE

# FIG 5 DATA

## COMPONENTS

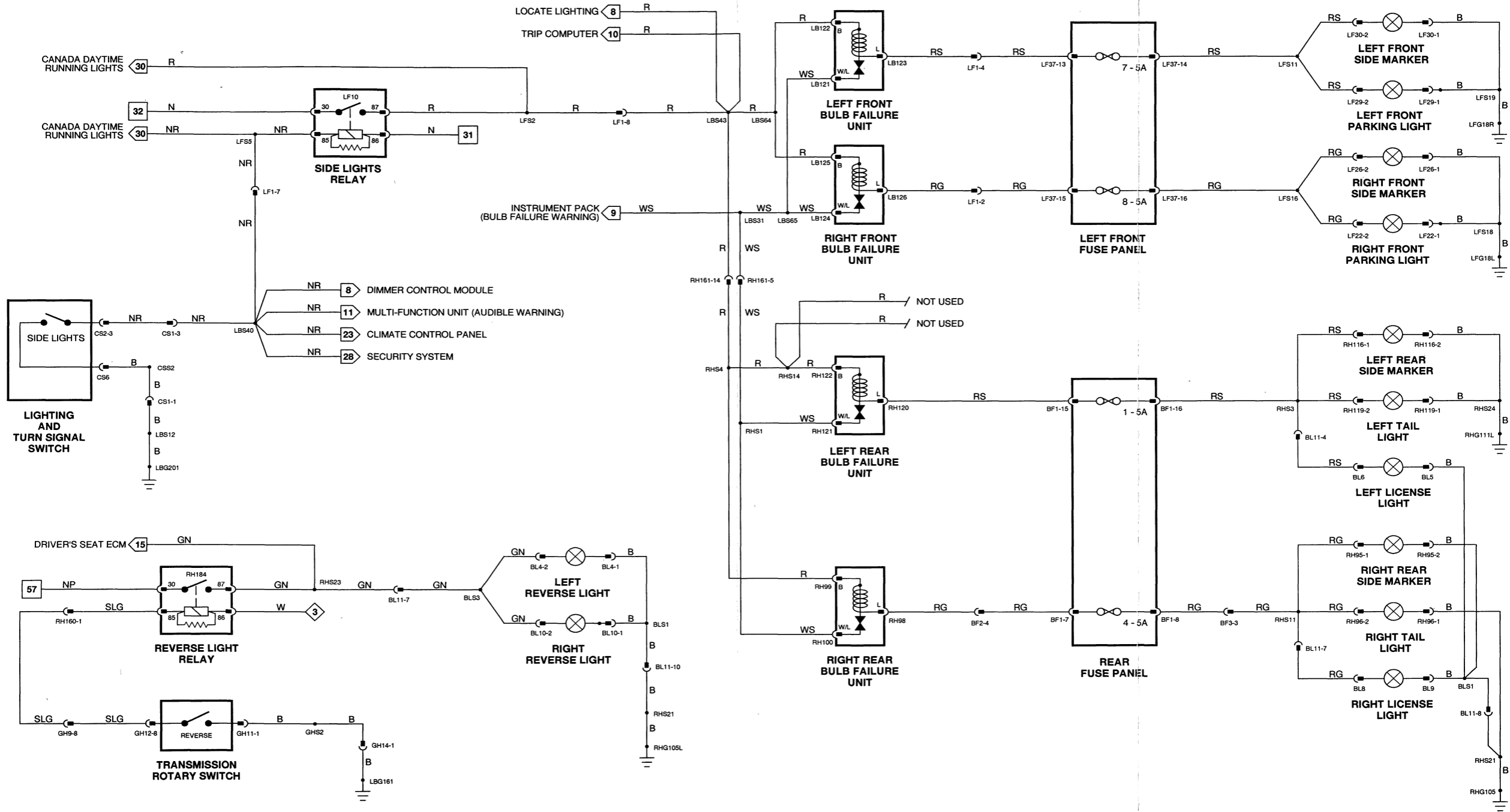
DESCRIPTION	LOCATION	ACCESS
BULB FAILURE UNIT — LEFT FRONT	RIGHT COMPONENT PANEL	RIGHT UNDER DASH PANEL
BULB FAILURE UNIT — LEFT REAR	LEFT TAIL LIGHT	TRUNK, LEFT LIGHT TRIM
BULB FAILURE UNIT — RIGHT FRONT	RIGHT COMPONENT PANEL	RIGHT UNDER DASH PANEL
BULB FAILURE UNIT — RIGHT REAR	RIGHT TAIL LIGHT	TRUNK, RIGHT LIGHT TRIM
FUSE PANEL — LEFT FRONT	LEFT FRONT COMPONENT PANEL	ENGINE COMPARTMENT
FUSE PANEL — REAR	RIGHT TAIL LIGHT	TRUNK, RIGHT LIGHT TRIM
LIGHTING AND TURN SIGNAL SWITCH	STEERING COLUMN, LEFT	STEERING COLUMN TRIM
RELAY — REVERSE LIGHTS (RH184)	ABOVE RIGHT REAR WHEEL ARCH	RIGHT TRUNK TRIM PANEL
RELAY — SIDE LIGHTS (LF10)	LEFT FRONT COMPONENT PANEL	ENGINE COMPARTMENT
TRANSMISSION ROTARY SWITCH	LEFT SIDE OF GEARBOX	ON GEARBOX

## CONNECTORS

CODE	DESCRIPTION	LOCATION / INTERFACE
BF1	FUSE PANEL CONNECTOR (BLACK)	ADJACENT TO RIGHT TAIL LIGHT CLUSTER / REAR FUSE PANEL
BF2	12-WAY MULTILOCK 70 (WHITE)	ADJACENT TO RIGHT TAIL LIGHT CLUSTER / REAR FUSE PANEL
BF3	10-WAY MULTILOCK 70 (WHITE)	ADJACENT TO RIGHT TAIL LIGHT CLUSTER / RIGHT REAR HARNESS
BL4	4-WAY SUMITOMO STD. (WHITE)	TRUNK LID, CENTER / LEFT REVERSE LIGHTS
BL5	.187 BLADE (WHITE)	LEFT REAR LICENSE / LEFT LICENSE BULB
BL6	.187 BLADE (WHITE)	LEFT REAR LICENSE / LEFT LICENSE BULB
BL8	.187 BLADE (WHITE)	RIGHT REAR LICENSE / RIGHT LICENSE BULB
BL9	.187 BLADE (WHITE)	RIGHT REAR LICENSE / RIGHT LICENSE BULB
BL10	4-WAY SUMITOMO STD. (WHITE)	TRUNK LID, CENTER / RIGHT REVERSE LIGHTS
BL11	8-WAY SUMITOMO STD. (WHITE)	TOP RIGHT OF FUEL TANK / REAR LIGHTING HARNESS GROUND
CS1	20-WAY SUMITOMO BLOCK (WHITE)	ADJACENT TO STEERING COLUMN / COLUMN SWITCH GEAR HARNESS
CS2	6-WAY SUMITOMO STD. (WHITE)	LIGHTING STALK SWITCH GEAR / LIGHTING AND TURN SIGNAL SWITCH
CS6	.250 BLADE (WHITE)	LIGHTING AND TURN SIGNAL SWITCH / BULKHEAD HARNESS, SWITCHGEAR
GH8	13-WAY SUMITOMO BLOCK (BLACK)	BELOW LOWER RIGHT A/C OUTLET / BULKHEAD HARNESS
GH9	16-WAY SUMITOMO BLOCK (BLACK)	BELOW LOWER RIGHT A/C OUTLET / BULKHEAD HARNESS
GH11	12-WAY MULTILOCK 40 (BLACK)	BELOW LOWER LEFT A/C OUTLET / TRANSMISSION ROTARY SWITCH
GH12	8-WAY MULTILOCK 70 (WHITE)	LOWER RIGHT SIDE OF A/C OUTLET / TRANSMISSION ROTARY SWITCH
GH14	2-WAY MULTILOCK 70 (WHITE)	LOWER RIGHT SIDE OF A/C OUTLET / TRANSMISSION ROTARY SWITCH
LB121	.250 BLADE (BLACK)	RIGHT COMPONENT PANEL / BULB FAIL. UNIT — LEFT FRONT
LB122	.250 BLADE (BLACK)	RIGHT COMPONENT PANEL / BULB FAIL. UNIT — LEFT FRONT
LB123	.250 BLADE (BLACK)	RIGHT COMPONENT PANEL / BULB FAIL. UNIT — LEFT FRONT
LB124	.250 BLADE (BLACK)	RIGHT COMPONENT PANEL / BULB FAIL. UNIT — RIGHT FRONT
LB125	.250 BLADE (BLACK)	RIGHT COMPONENT PANEL / BULB FAIL. UNIT — RIGHT FRONT
LB126	.250 BLADE (BLACK)	RIGHT COMPONENT PANEL / BULB FAIL. UNIT — RIGHT FRONT
LF1	16-WAY SUMITOMO BLOCK (RED)	LEFT 'A' POST / BULKHEAD HARNESS
LF10	RELAY BASE (BLUE)	LEFT FRONT COMPONENT PANEL / SIDELIGHTS RELAY
LF22	4-WAY SUMITOMO SEALED (GREEN)	RIGHT RADIATOR SUPPORT / RIGHT FRONT PARKING LIGHTS
LF26	2-WAY SUMITOMO SEALED (BLUE)	BEHIND RIGHT FRONT SIDE MARKER / RIGHT FRONT SIDE MARKER BULB
LF29	4-WAY SUMITOMO SEALED (GREEN)	LEFT FRONT INNER WHEEL ARCH / LEFT FRONT PARKING LIGHTS
LF30	2-WAY SUMITOMO SEALED (BLUE)	BEHIND LEFT FRONT SIDE MARKER / LEFT FRONT SIDE MARKER BULB
LF37	FUSE PANEL CONNECTOR (BLACK)	LEFT FRONT COMPONENT PANEL / LEFT FRONT FUSE PANEL
RH95	2-WAY SUMITOMO SEALED (BLUE)	RIGHT REAR SIDE MARKER / RIGHT SIDE MARKER BULB
RH96	4-WAY SUMITOMO STD. (WHITE)	RIGHT TAIL LIGHT / RIGHT TAIL LIGHT
RH98	.250 BLADE (WHITE)	ABOVE RIGHT TAIL LIGHT / BULB FAIL. UNIT — RIGHT REAR
RH99	.250 BLADE (WHITE)	ABOVE RIGHT TAIL LIGHT / BULB FAIL. UNIT — RIGHT REAR
RH100	.250 BLADE (WHITE)	ABOVE RIGHT TAIL LIGHT / BULB FAIL. UNIT — RIGHT REAR
RH116	2-WAY SUMITOMO SEALED (BLUE)	LEFT REAR SIDE MARKER / LEFT SIDE MARKER BULB
RH119	4-WAY SUMITOMO STD. (WHITE)	LEFT TAIL LIGHT / LEFT TAIL LIGHT
RH120	.250 BLADE (WHITE)	ABOVE LEFT TAIL LIGHT / BULB FAIL. UNIT — LEFT REAR
RH121	.250 BLADE (WHITE)	ABOVE LEFT TAIL LIGHT / BULB FAIL. UNIT — LEFT REAR
RH122	.250 BLADE (WHITE)	ABOVE LEFT TAIL LIGHT / BULB FAIL. UNIT — LEFT REAR
RH160	24-WAY SUMITOMO BLOCK (WHITE)	BELOW LOWER LEFT A/C OUTLET / REARWARD HARNESS
RH161	20-WAY SUMITOMO BLOCK (WHITE)	BELOW LOWER LEFT A/C OUTLET / REARWARD HARNESS
RH184	RELAY BASE (BLUE)	ABOVE RIGHT REAR WHEEL ARCH / REVERSE LIGHTS RELAY

## GROUND

CODE	DESCRIPTION	LOCATION / INTERFACE
LBG161	EYELET	LEFT TRANSMISSION TUNNEL BY A/C SUPPORT / POWER GROUND
LBG201	EYELET	LEFT 'A' POST FASCIA END PANEL / POWER GROUND
LF318L	EYELET	TOP LEFT RADIATOR SUPPORT MOUNT / POWER GROUND
LF318R	EYELET	TOP RIGHT RADIATOR SUPPORT MOUNT / POWER GROUND
RHG105	EYELET	RIGHT REAR INNER WHEEL ARCH / POWER GROUND
RHG105L	EYELET	RIGHT REAR INNER WHEEL ARCH / POWER GROUND
RHG111L	EYELET	LEFT REAR INNER WHEEL ARCH / POWER GROUND



□ BATTERY POWER (FIG 1)

◇ IGNITION POWER (FIG 2)

▭ FIG NUMBER REFERENCE

# FIG 6 DATA

## COMPONENTS

### DESCRIPTION

BULB FAILURE UNIT — STOP LIGHT  
 DIODE — RHD1  
 FLASHER UNIT  
 HAZARD SWITCH  
 LIGHTING AND TURN SIGNAL SWITCH  
 PARKING BRAKE SWITCH  
 RELAY — STOP LIGHT (RH113)  
 STOP LIGHT SWITCH

### LOCATION

LEFT REAR WHEEL ARCH  
 BEHIND LEFT TRUNK LID GAS STRUT SUPPORT  
 LEFT COMPONENT PANEL  
 LEFT OF TRIP COMPUTER  
 STEERING COLUMN, LEFT  
 PARKING BRAKE HANDLE  
 ABOVE BRAKE (ABS) CONTROL MODULE  
 BRAKE PEDAL

### ACCESS

LEFT REAR TRUNK TRIM  
 LEFT TRUNK TRIM  
 LEFT UNDER DASH PANEL  
 —  
 REMOVE STEERING COLUMN TRIM  
 REMOVE BRAKE HANDLE TRIM  
 LEFT TRUNK TRIM PANEL  
 LEFT UNDER DASH PANEL

## CONNECTORS

### CODE

CS1 20-WAY SUMITOMO BLOCK (WHITE)  
 CS7 .250 BLADE (WHITE)  
 CS8 .250 BLADE (WHITE)  
 CS9 .250 BLADE (WHITE)  
 HL1 3-WAY PM 5 (BLACK)  
 HL2 3-WAY PM 5 (BLACK)  
 LB167 4-WAY SUMITOMO STD. (RED)  
 LB172 RELAY BASE (YELLOW)  
 LB176 10-WAY MULTILOCK 70 (WHITE)  
 LF1 16-WAY SUMITOMO BLOCK (RED)  
 LF24 2-WAY SUMITOMO STD. (SLATE)  
 LF31 2-WAY SUMITOMO STD. (SLATE)  
 RH96 4-WAY SUMITOMO STD. (WHITE)  
 RH113 RELAY BASE (YELLOW)  
 RH119 4-WAY SUMITOMO STD. (WHITE)  
 RH127 .250 BLADE (BLACK)  
 RH128 .250 BLADE (BLACK)  
 RH129 3-WAY SPADE (BLACK)  
 RH133 .250 BLADE (WHITE)  
 RH134 .250 BLADE (WHITE)  
 RH135 .250 BLADE (WHITE)  
 RH160 24-WAY SUMITOMO BLOCK (WHITE)  
 RH161 20-WAY SUMITOMO BLOCK (WHITE)

### LOCATION / INTERFACE

ADJACENT TO STEERING COLUMN / COLUMN SWITCH GEAR HARNESS  
 LIGHTING AND TURN SIGNAL SWITCH / BULKHEAD HARNESS, RIGHT TURN  
 LIGHTING AND TURN SIGNAL SWITCH / DIRECTIONAL INPUT  
 LIGHTING AND TURN SIGNAL SWITCH / BULKHEAD HARNESS, LEFT TURN  
 INSIDE LEFT REAR WHEEL ARCH / HIGH MOUNT STOP LIGHT HARNESS  
 HIGH MOUNT STOP LIGHT / HIGH MOUNT STOP LIGHT  
 ABOVE BRAKE PEDAL / STOP LIGHT SWITCH  
 LEFT COMPONENT PANEL / FLASHER UNIT  
 BEHIND HEATED REAR WINDOW SWITCH / HAZARD SWITCH  
 LOWER LEFT 'A' POST / BULKHEAD HARNESS  
 RIGHT FRONT TURN SIGNAL / RIGHT FRONT TURN SIGNAL  
 LEFT FRONT TURN SIGNAL / LEFT FRONT TURN SIGNAL  
 RIGHT TAIL LIGHT UNIT / RIGHT STOP, TURN LIGHTS  
 ABOVE BRAKE (ABS) CONTROL MODULE / STOP LIGHT RELAY  
 LEFT TAIL LIGHT UNIT / LEFT STOP, TURN LIGHTS  
 BEHIND LEFT TRUNK LID GAS STRUT SUPPORT / REAR BRAKE LT. WARNING CIRCUIT  
 BEHIND LEFT TRUNK LID GAS STRUT SUPPORT / REAR BRAKE LT. WARNING CIRCUIT  
 BEHIND LEFT TRUNK LID GAS STRUT SUPPORT / REAR BRAKE LT. WARNING CIRCUIT  
 PARKING BRAKE SWITCH / STOP LIGHT BULB FAIL. UNIT  
 PARKING BRAKE SWITCH / BULB FAILURE UNIT  
 PARKING BRAKE SWITCH / GROUND  
 BELOW LOWER LEFT A/C OUTLET / REARWARD HARNESS  
 BELOW LOWER LEFT A/C OUTLET / REARWARD HARNESS

## GROUND

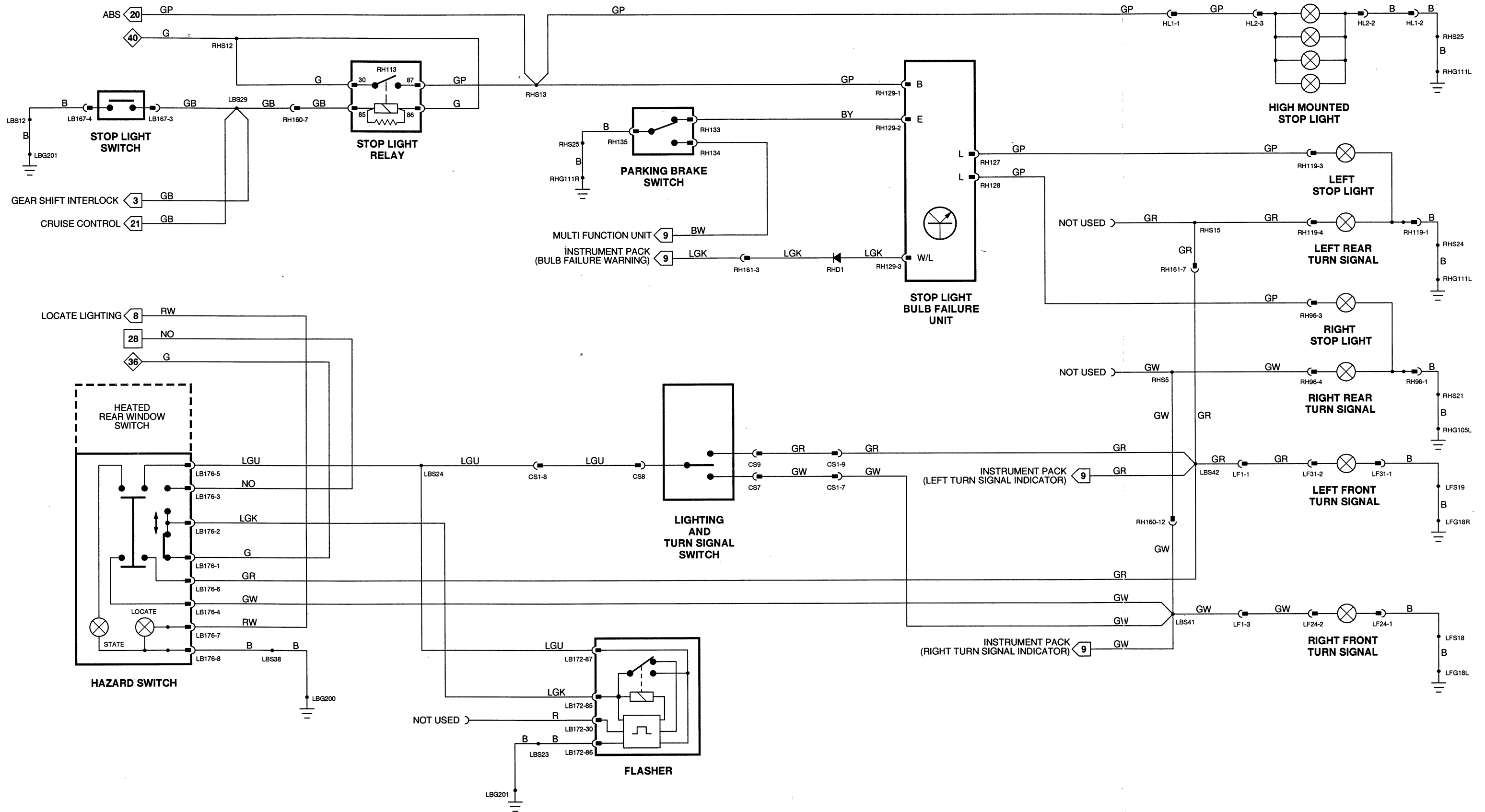
### CODE

LBG200 EYELET  
 LBG201 EYELET  
 LFG18L EYELET  
 LFG18R EYELET  
 RHG105L EYELET  
 RHG111L EYELET  
 RHG111R EYELET

### LOCATION / INTERFACE

LEFT 'A' POST FASCIA END PANEL / POWER GROUND  
 LEFT 'A' POST FASCIA END PANEL / POWER GROUND  
 TOP LEFT RADIATOR SUPPORT MOUNT / POWER GROUND  
 TOP RIGHT RADIATOR SUPPORT MOUNT / POWER GROUND  
 RIGHT REAR INNER WHEEL ARCH / POWER GROUND  
 LEFT REAR INNER WHEEL ARCH / POWER GROUND  
 RIGHT REAR INNER WHEEL ARCH / POWER GROUND





# FIG 7 DATA

## COMPONENTS

DESCRIPTION	LOCATION	ACCESS
DOOR SWITCH — DRIVER'S	LEFT 'A' POST	LEFT UNDER DASH PANEL
DOOR SWITCH — PASSENGER'S	RIGHT 'A' POST	RIGHT UNDER DASH PANEL
INTERIOR LIGHTING SWITCH	RIGHT OF TRIP COMPUTER	—
MULTI FUNCTION UNIT	BEHIND PASSENGER'S UNDER DASH PANEL	RIGHT UNDER DASH PANEL
RELAY — INTERIOR LIGHTING (LB131)	LEFT COMPONENT PANEL	LEFT UNDER DASH PANEL
TRUNK LIGHT SWITCH	TRUNK LATCH ASSEMBLY	REMOVE TRUNK LID TRIM

## CONNECTORS

CODE	DESCRIPTION	LOCATION / INTERFACE
BL11	8-WAY SUMITOMO STD. (WHITE)	TOP RIGHT OF FUEL TANK / TRUNK LIGHT HARNESS
BL12	GROTE AND HARTMAN (BLACK)	ABOVE TRUNK LATCH MECHANISM / TRUNK LIGHT SWITCH
BN4	6-WAY MULTILOCK 70 (WHITE)	BEHIND INTERIOR LIGHTING SWITCH / INTERIOR LIGHTING SWITCH
BN5	20-WAY SUMITOMO BLOCK (WHITE)	BELOW LOWER RIGHT A/C OUTLET / INTERIOR LIGHTING SWITCH GROUND
DD6	2-WAY MULTILOCK 40 (BLACK)	BOTTOM OF DRIVER'S DOOR / DRIVER'S PUDDLE LIGHT
DD13	20-WAY SUMITOMO BLOCK (BLACK)	LEFT 'A' POST / BULKHEAD HARNESS
LB131	RELAY BASE (RED)	LEFT COMPONENT PANEL / INTERIOR LIGHTING RELAY
LB133	20-WAY MULTILOCK 40 (BLACK)	RIGHT COMPONENT PANEL / MULTI FUNCTION UNIT
LB140	2-WAY SUMITOMO STD. (WHITE)	R/UNDER DASH 6" FROM 'A' POST / PASSENGER'S DOOR SWITCH
LB141	.250 BLADE (WHITE)	BEHIND RIGHT COURTESY LIGHT / PASSENGER'S COURTESY LIGHT
LB142	.250 BLADE (WHITE)	BEHIND RIGHT COURTESY LIGHT / PASSENGER'S COURTESY LIGHT
LB186	.250 BLADE (WHITE)	BEHIND LEFT COURTESY LIGHT / DRIVER'S COURTESY LIGHT
LB187	.250 BLADE (WHITE)	BEHIND LEFT COURTESY LIGHT / DRIVER'S COURTESY LIGHT
LB188	2-WAY SUMITOMO STD. (WHITE)	L/UNDER DASH 6" FROM 'A' POST / DRIVER'S DOOR SWITCH
LB194	4-WAY MULTILOCK 40 (BLACK)	BEHIND LEFT SUN VISOR MOUNTING BRACKET / LEFT SUN VISOR LIGHT
LB198	4-WAY MULTILOCK 40 (BLACK)	BEHIND RIGHT SUN VISOR MOUNTING BRACKET / RIGHT SUN VISOR LIGHT
PD6	2-WAY MULTILOCK 40 (BLACK)	BOTTOM OF PASSENGER'S DOOR / PASSENGER'S PUDDLE LIGHT
PD13	20-WAY SUMITOMO BLOCK (BLACK)	RIGHT 'A' POST / BULKHEAD HARNESS
PS1	16-WAY SUMITOMO BLOCK (BLACK)	INSIDE RIGHT 'A' POST / PASSENGER'S DOOR HARNESS
RC11	3-WAY FM 5 (BLACK)	BEHIND RIGHT REAR 1/4 TRIM PANEL / RIGHT REAR COURTESY LIGHT
RC12	3-WAY FM 5 (BLACK)	BEHIND LEFT REAR 1/4 TRIM PANEL / LEFT REAR COURTESY LIGHT
RC13	2-WAY MULTILOCK 70 (WHITE)	BEHIND LEFT REAR COURTESY LIGHT / LEFT COURTESY LIGHT
RC14	1-WAY RIST	BEHIND LEFT REAR COURTESY LIGHT / LEFT COURTESY LIGHT
RC15	1-WAY RIST	BEHIND LEFT REAR COURTESY LIGHT / LEFT COURTESY LIGHT
RC16	2-WAY MULTILOCK 70 (WHITE)	BEHIND RIGHT REAR COURTESY LIGHT / RIGHT COURTESY LIGHT
RC17	1-WAY RIST	BEHIND RIGHT REAR COURTESY LIGHT / RIGHT COURTESY LIGHT
RC18	1-WAY RIST	BEHIND RIGHT REAR COURTESY LIGHT / RIGHT COURTESY LIGHT
RH123	.250 BLADE (WHITE)	TRUNK, INNER LEFT FENDER / LEFT TRUNK LIGHT
RH124	.250 BLADE (WHITE)	TRUNK, INNER LEFT FENDER / LEFT TRUNK LIGHT
RH140	.250 BLADE (WHITE)	TRUNK, INNER RIGHT FENDER / RIGHT TRUNK LIGHT
RH141	.250 BLADE (WHITE)	TRUNK, INNER RIGHT FENDER / RIGHT TRUNK LIGHT
RH160	24-WAY SUMITOMO BLOCK (WHITE)	BELOW LOWER LEFT A/C OUTLET / REARWARD HARNESS

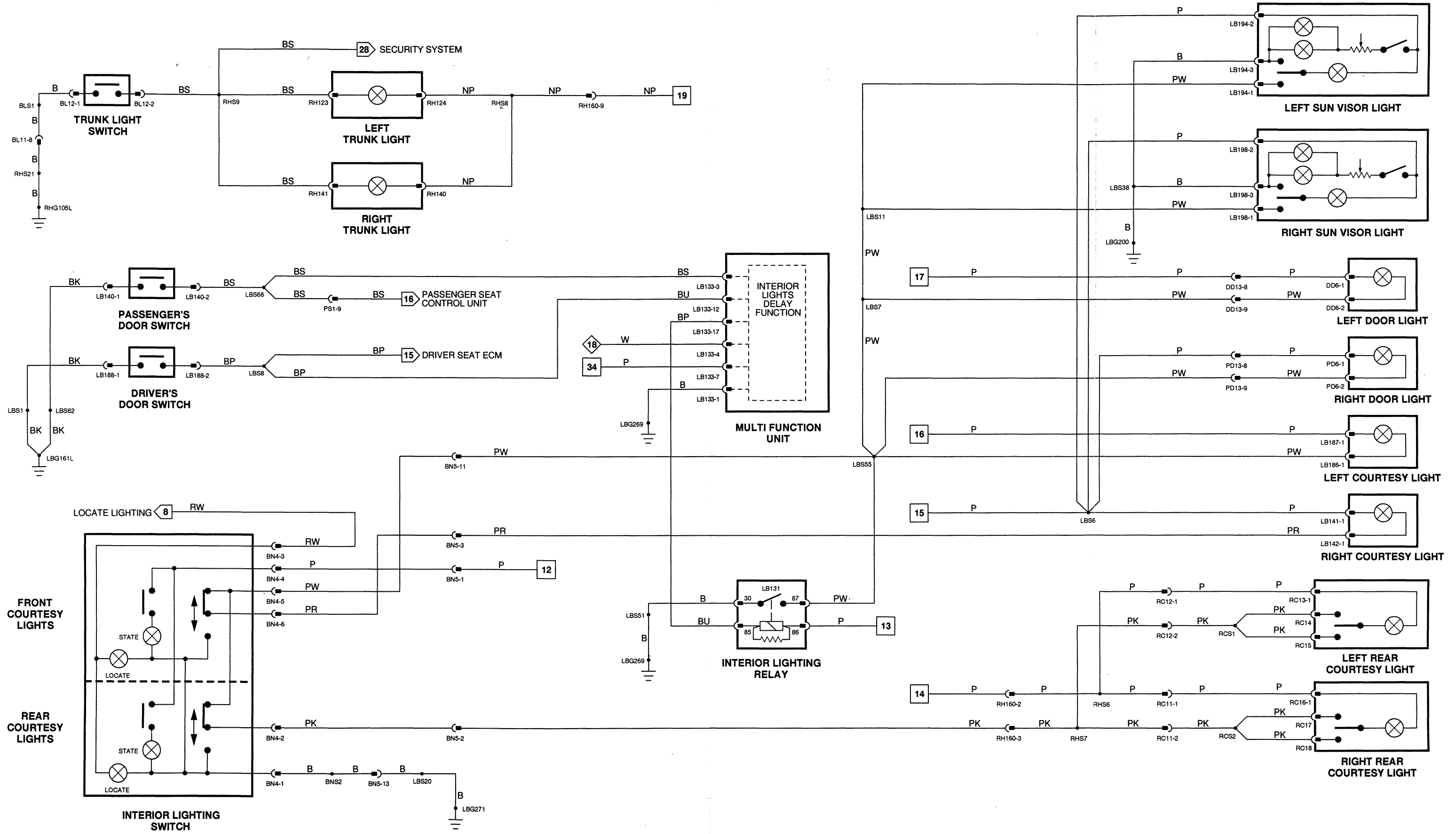
## GROUND

CODE	DESCRIPTION	LOCATION / INTERFACE
LBG161L	EYELET	LEFT TRANSMISSION TUNNEL BY A/C SUPPORT / POWER GROUND
LBG200	EYELET	LEFT 'A' POST FASCIA END PANEL / POWER GROUND
LBG269	EYELET	RIGHT 'A' POST FASCIA END PANEL / POWER GROUND
LBG271	EYELET	RIGHT 'A' POST FASCIA END PANEL / POWER GROUND
RHG105L	EYELET	RIGHT REAR INNER WHEEL ARCH / POWER GROUND

## INPUTS / OUTPUTS

### MULTI FUNCTION UNIT

CODE	IN / OUT	CIRCUIT	ACTIVE	INACTIVE
LB133-1	INPUT	POWER GROUND	GROUND	GROUND
LB133-3	INPUT	PASSENGER'S DOOR SWITCH	DOOR OPEN: GROUND	DOOR CLOSED: 12V
LB133-4	INPUT	IGNITION SWITCH	KEY ON: 12V	KEY OFF: OPEN CIRCUIT
LB133-7	INPUT	BATTERY POWER	12V	12V
LB133-12	INPUT	DRIVER'S DOOR SWITCH	DOOR OPEN: GROUND	DOOR CLOSED: 12V
LB133-17	OUTPUT	INTERIOR LIGHTING RELAY	LIGHTS ON: GROUND	LIGHTS OFF: 12V



□ BATTERY POWER (FIG 1)

◇ IGNITION POWER (FIG 2)

▭ FIG NUMBER REFERENCE

# FIG 8 DATA

## COMPONENTS

DESCRIPTION	LOCATION	ACCESS
CIGAR LIGHTER	CENTER CONSOLE	—
CLIMATE CONTROL PANEL	CENTER CONSOLE	—
CLOCK		
COLUMN SWITCH GEAR	STEERING COLUMN	—
DIMMER CONTROL	LEFT UNDER DASH PANEL	—
DIMMER CONTROL MODULE	LEFT COMPONENT PANEL	LEFT UNDER DASH PANEL
DOOR SWITCH PACK — DRIVER'S	DRIVER'S DOOR	—
DOOR SWITCH PACK — PASSENGER'S	PASSENGER'S DOOR	—
FOG LIGHT SWITCHES*	CENTER CONSOLE, LEFT	—
FUSE PANEL — LEFT	LEFT COMPONENT PANEL	LEFT UNDER DASH PANEL
GEAR SELECTOR	CENTER CONSOLE	—
HAZARD AND HEATED REAR WINDOW SWITCH*	CENTER CONSOLE, LEFT	—
INSTRUMENT PACK	DRIVER'S SIDE DASH	—
INTERIOR LIGHTING SWITCH	RIGHT OF TRIP COMPUTER	—
RADIO	CENTER CONSOLE	SWITCHPACK
RELAY — SIDE LIGHTS (LF10)	LEFT FRONT COMPONENT PANEL	ENGINE COMPARTMENT
TRANSMISSION MODE SWITCH	ADJACENT TO GEAR SELECTOR	CENTER CONSOLE TRIM

\* FOG LIGHT SWITCHES AND HAZARD / HEATED REAR WINDOW SWITCH LOCATIONS DIFFER DEPENDENT ON INSTALLED OPTIONS. CONNECTOR, PIN AND WIRE INFORMATION REMAINS THE SAME FOR ALL OPTIONS.

## CONNECTORS

CODE	DESCRIPTION	LOCATION / INTERFACE
AC33	12-WAY MULTILOCK 40 (BLACK)	RIGHT UNDER DASH PANEL / CLIMATE CONTROL PANEL HARNESS
AC34	12-WAY MULTILOCK 40 (BLACK)	BEHIND RADIO / CLIMATE CONTROL PANEL
BN2	8-WAY MULTILOCK 70 (WHITE)	BEHIND FOG LIGHT SW. / FOG LIGHT SW. LOCATE ILLUM.
BN3	10-WAY SUMITOMO STANDARD (RED)	BEHIND CLOCK / CLOCK HARNESS
BN4	6-WAY MULTILOCK 70 (WHITE)	BEHIND INTERIOR LIGHT SWITCH / INTERIOR LIGHT SW. LOCATE ILLUMINATION
BN5	20-WAY SUMITOMO BLOCK (WHITE)	BELOW RIGHT A/C OUTLET / INTERIOR LIGHTING SWITCH GROUND
CH10	2-WAY MULTILOCK 40 (BLACK)	GEAR SELECTOR MECHANISM / GEAR SELECTOR LOCATE ILLUMINATION
CH12	.250 BLADE (BLACK)	CENTER CONSOLE / CIGAR LIGHTER LOCATE ILLUMINATION
CH14	.250 BLADE (BLACK)	CENTER CONSOLE / CIGAR LIGHTER LOCATE ILLUMINATION
CH17	16-WAY SUMITOMO BLOCK (WHITE)	BELOW RT. A/C OUTLET / BULKHEAD TO CENTER CONSOLE HARNESS
CL1	.250 BLADE (WHITE)	BEHIND CLOCK / CLOCK
CL3	.250 BLADE (WHITE)	BEHIND CLOCK / CLOCK
CS1	20-WAY SUMITOMO BLOCK (WHITE)	ADJACENT TO STEERING COLUMN / COLUMN SWITCH GEAR HARNESS
CS2	6-WAY SUMITOMO STD. (WHITE)	INSIDE STEERING COLUMN COWL / SIDELIGHTS SWITCHGEAR
CS6	.250 BLADE (WHITE)	TURN SIGNAL STALK / LIGHTING AND TURN SIGNAL SWITCH
CS11	.250 BLADE (WHITE)	COLUMN SWITCH GEAR / SWITCH GEAR LOCATE ILLUMINATION
CS12	.250 BLADE (WHITE)	COLUMN SWITCH GEAR / SWITCH GEAR LOCATE ILLUMINATION
DD4	14-WAY SUMITOMO BLOCK (SLATE)	DRIVER'S DOOR / DRIVER'S DOOR SWITCH PACK ILLUMINATION
DD12	13-WAY SUMITOMO BLOCK (RED)	LEFT 'A' POST / DRIVER'S DOOR HARNESS
DD13	20-WAY SUMITOMO BLOCK (BLACK)	INSIDE LEFT 'A' POST / DRIVER'S DOOR HARNESS
GH6	6-WAY MULTILOCK 40 (BLACK)	ADJACENT TO GEAR SELECTOR / MODE CONTROL SWITCH
GH8	16-WAY SUMITOMO BLOCK (BLACK)	BELOW LOWER RIGHT A/C OUTLET / BULKHEAD HARNESS
GH9	16-WAY SUMITOMO BLOCK (BLACK)	BEHIND LOWER RIGHT A/C OUTLET / BULKHEAD HARNESS
LB160	14-WAY MULTILOCK 70 (WHITE)	BEHIND RADIO / RADIO ILLUMINATION
LB170	RELAY BASE (BLACK)	LEFT COMPONENT PANEL / DIMMER CONTROL UNIT
LB176	10-WAY MULTILOCK 70 (WHITE)	BEHIND HAZARD SWITCH / HAZARD SWITCH ILLUMINATION
LB247	14-WAY HEWLETT PACKARD (BLACK)	BEHIND INSTRUMENT PACK / INSTRUMENT PACK ILLUMINATION
LB263	22-WAY FUSE PANEL (BLACK)	DRIVER'S UNDER DASH PANEL / LEFT FUSE PANEL
LB267	3-WAY PM 5 (PURPLE)	LEFT COMPONENT PANEL / DIMMER CONTROL UNIT
LF1	16-WAY SUMITOMO BLOCK (RED)	LOWER LEFT 'A' POST / BULKHEAD HARNESS
LF10	RELAY BASE (BLUE)	LEFT FRONT COMPONENT PANEL / SIDE LIGHT RELAY
PD4	14-WAY SUMITOMO BLOCK (SLATE)	PASSENGER'S DOOR / PASSENGER'S DOOR SWITCH PACK ILLUM.
PD12	13-WAY SUMITOMO BLOCK (RED)	INSIDE RIGHT 'A' POST / PASSENGER'S DOOR HARNESS
PD13	20-WAY SUMITOMO BLOCK (WHITE)	INSIDE RIGHT 'A' POST / PASSENGER'S DOOR HARNESS

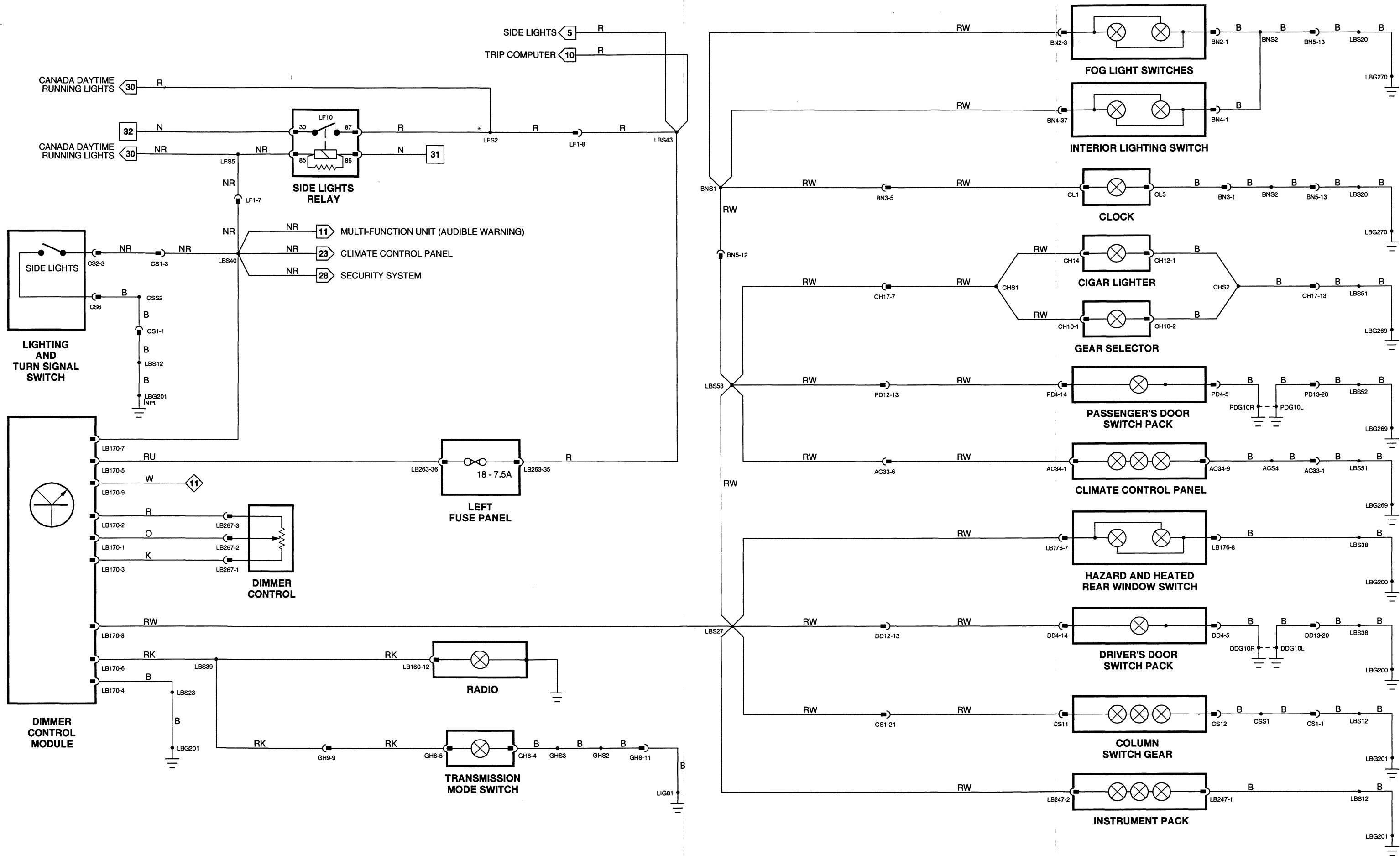
## GROUNDS

CODE	DESCRIPTION	LOCATION / INTERFACE
LBG200	EYELET	LEFT 'A' POST FASCIA END PANEL / POWER GROUND
LBG201	EYELET	LEFT 'A' POST FASCIA END PANEL / POWER GROUND
LBG269	EYELET	RIGHT 'A' POST FASCIA END PANEL / POWER GROUND
LBG270	EYELET	RIGHT 'A' POST FASCIA END PANEL / POWER GROUND
LIG81	EYELET	ENGINE COMPARTMENT, BULKHEAD STUD BEHIND ABS PUMP / POWER GROUND

## INPUTS / OUTPUTS

### DIMMER CONTROL MODULE

CODE	IN / OUT	CIRCUIT	ACTIVE	INACTIVE
LB170-1	INPUT	LIGHTING DIMMER POTENTIOMETER	MAX: APPROX. 13V	MIN: APPROX. 6V
LB170-2	INPUT	LIGHTING DIMMER POTENTIOMETER	MAX: APPROX. 14V	MIN: APPROX. 6V
LB170-3	INPUT	LIGHTING DIMMER POTENTIOMETER	MAX: APPROX. 13V	MIN: APPROX. 7V
LB170-4	INPUT	POWER GROUND	GROUND	GROUND
LB170-5	INPUT	BATTERY POWER	12V	12V
LB170-6	OUTPUT	RADIO ILLUMINATION	LIGHTS ON: 12V	LIGHTS OFF: 0V
LB170-7	INPUT	SIDE LIGHTS	LIGHTS ON: GROUND	LIGHTS OFF: 12V
LB170-8	OUTPUT	INSTRUMENT LIGHTING	MAX: APPROX. 11V	MIN: APPROX. 4.5V
LB170-9	INPUT	IGNITION SWITCHED POWER	KEY ON: 12V	KEY OFF: 0V



□ BATTERY POWER (FIG 1)

◇ IGNITION POWER (FIG 2)

▢ FIG NUMBER REFERENCE

# FIG 9 DATA

## COMPONENTS

DESCRIPTION	LOCATION	ACCESS
ANTI-SLOSH MODULE	LEFT REAR COMPONENT PANEL	LEFT TRUNK TRIM
COOLANT LEVEL SENSOR	RIGHT INNER WHEEL ARCH ON RESERVOIR	ENGINE COMPARTMENT
COOLANT LEVEL TRANSMITTER	RIGHT COMPONENT PANEL	RIGHT UNDER DASH PANEL
COOLANT TEMPERATURE TRANSMITTER	RIGHT FRONT ENGINE	ENGINE COMPARTMENT
DIODE — LBD3	6" BEHIND INSTRUMENT PACK CONNECTOR	DRIVER'S UNDER DASH PANEL
DIODE — RHD2	CENTER CONSOLE BELOW CUBBY BOX	CENTER CONSOLE
FUEL LEVEL TRANSMITTER	FUEL TANK	TRUNK
INSTRUMENT PACK	DRIVER'S SIDE DASH	LEFT UNDER DASH PANEL
MULTI FUNCTION UNIT	RIGHT COMPONENT PANEL	PASSENGER'S UNDER DASH PANEL
OIL PRESSURE SWITCH	BELOW THROTTLE BODY ON ENGINE BLOCK	ENGINE COMPARTMENT
OIL PRESSURE TRANSMITTER	BELOW THROTTLE BODY ON ENGINE BLOCK	ENGINE COMPARTMENT
PARKING BRAKE SWITCH	PARKING BRAKE HANDLE	REMOVE BRAKE HANDLE TRIM
WASHER RESERVOIR LEVEL SENSOR	BELOW UPPER RADIATOR HOSE	ENGINE COMPARTMENT

## CONNECTORS

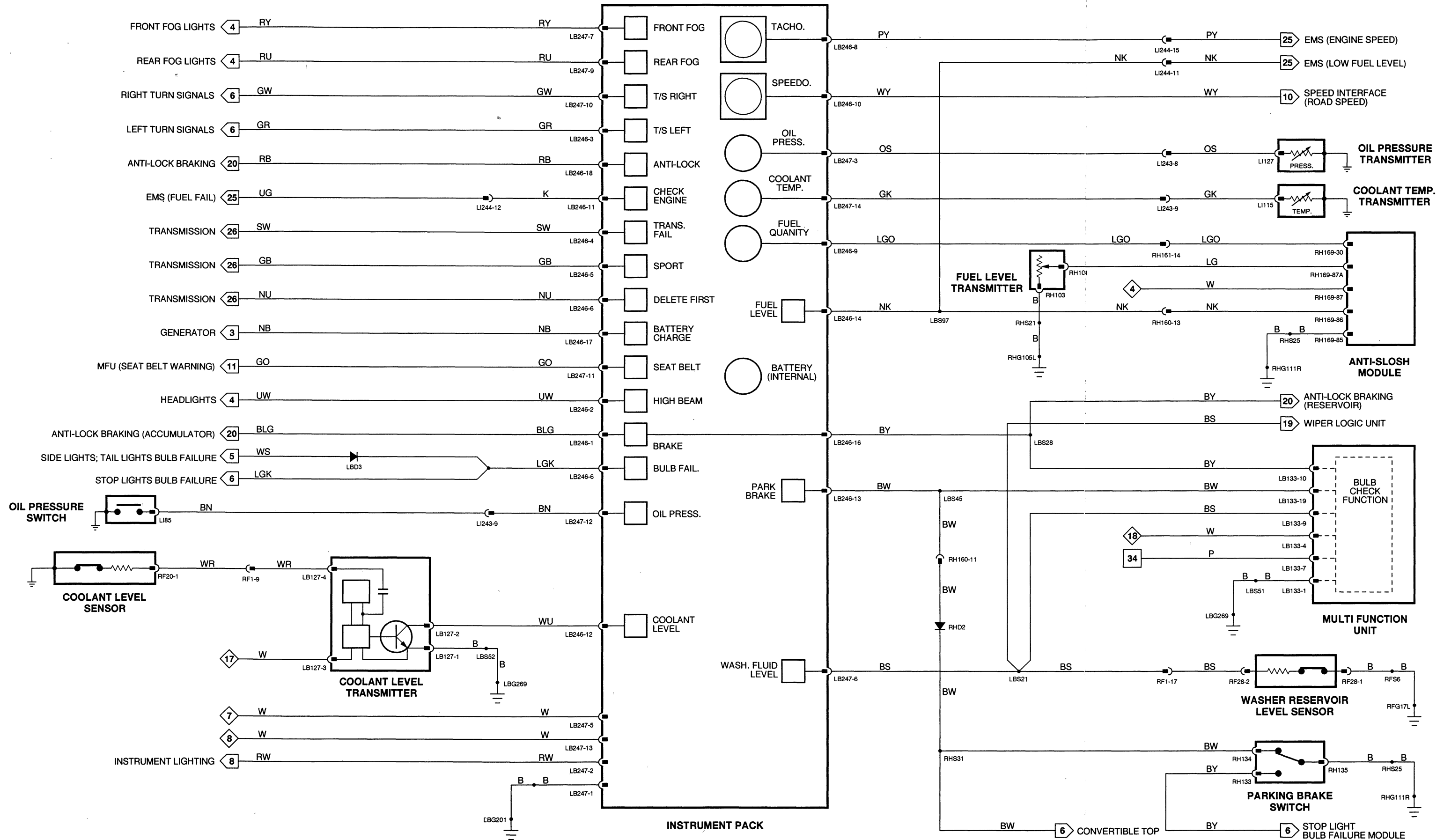
CODE	DESCRIPTION	LOCATION / INTERFACE
LB127	4-WAY MULTILOCK 70 (WHITE)	BEHIND RIGHT COMPONENT PANEL / COOLANT LEVEL TRANSMITTER
LB133	20-WAY MULTILOCK 40 (BLACK)	RIGHT COMPONENT PANEL / MULTI FUNCTION UNIT
LB246	18-WAY HEWLETT PACKARD (BLACK)	BEHIND INSTRUMENT PACK / INSTRUMENT PACK
LB247	14-WAY HEWLETT PACKARD (BLACK)	BEHIND INSTRUMENT PACK / INSTRUMENT PACK
LI85	.250 BLADE (BLACK)	ENGINE COMPARTMENT / OIL PRESSURE SWITCH
LI115	.250 BLADE (BLACK)	ABOVE THERMOSTAT HOUSING / COOLANT TEMPERATURE TRANSMITTER
LI127	.250 BLADE (BLACK)	ENGINE COMPARTMENT / OIL PRESSURE TRANSMITTER
LI243	13-WAY ECONOSEAL III LC (WHITE)	RIGHT 'A' POST BEHIND ECM / ENGINE MANAGEMENT HARNESS
LI244	20-WAY MULTILOCK 70 (WHITE)	RIGHT 'A' POST BEHIND ECM / INSTRUMENT PACK
RF1	20-WAY SUMITOMO BLOCK (RED)	RIGHT 'A' POST / ENGINE TO BULKHEAD HARNESS
RF20	.250 BLADE (BLACK)	ENGINE COMPARTMENT / COOLANT LEVEL SENSOR
RF28	3-WAY PM 5 (RED)	RIGHT 'A' POST / WASHER RESERVOIR LEVEL SENSOR
RH101	.250 BLADE (WHITE)	FUEL TANK / FUEL LEVEL TRANSMITTER
RH103	.250 BLADE (WHITE)	FUEL TANK / FUEL LEVEL TRANSMITTER
RH133	.250 BLADE (WHITE)	UNDER PARK BRAKE TRIM / PARK BRAKE SWITCH
RH134	.250 BLADE (WHITE)	UNDER PARK BRAKE TRIM / PARK BRAKE SWITCH
RH135	.250 BLADE (WHITE)	UNDER PARK BRAKE TRIM / PARK BRAKE SWITCH
RH160	24-WAY SUMITOMO BLOCK (WHITE)	BELOW LOWER LEFT A/C OUTLET / REARWARD HARNESS
RH161	20-WAY SUMITOMO BLOCK (WHITE)	BELOW LOWER LEFT A/C OUTLET / REARWARD HARNESS
RH169	RELAY BASE (BLACK)	LEFT TRUNK BEHIND GAS STRUT SUPPORT / ANTI-SLOSH MODULE

## GROUNDS

CODE	DESCRIPTION	LOCATION / INTERFACE
LBG201	EYELET	LEFT 'A' POST FASCIA END PANEL / POWER GROUND
LBG269	EYELET	RIGHT 'A' POST FASCIA END PANEL / POWER GROUND
RFG17L	EYELET	TOP RIGHT RADIATOR SUPPORT MOUNT / POWER GROUND
RHG105L	EYELET	RIGHT REAR INNER WHEEL ARCH / POWER GROUND
RHG111R	EYELET	LEFT REAR INNER WHEEL ARCH / POWER GROUND

## INPUTS / OUTPUTS

ANTI-SLOSH MODULE		NOTE: PERFORM TEST WITH ANTI-SLOSH UNIT DISCONNECTED / PROBE RELAY BASE		
CODE	IN / OUT	CIRCUIT	ACTIVE	INACTIVE
RH169-30	OUTPUT	LOW FUEL LEVEL	TANK FULL: 1V	TANK EMPTY: 12V
RH169-85	INPUT	POWER GROUND	GROUND	GROUND
RH169-86	OUTPUT	FUEL LEVEL	TANK FULL: 1V	TANK EMPTY: 12V
RH169-87	INPUT	IGNITION SWITCHED POWER	KEY ON: 12V	KEY OFF: OPEN CIRCUIT
RH169-87A	INPUT	FUEL LEVEL	TANK FULL: GROUND	TANK EMPTY: 12V
MULTI FUNCTION UNIT				
CODE	IN / OUT	CIRCUIT	ACTIVE	INACTIVE
LB133-1	INPUT	POWER GROUND	GROUND	GROUND
LB133-4	INPUT	IGNITION SWITCHED POWER	KEY ON: 12V	KEY OFF: OPEN CIRCUIT
LB133-7	INPUT	BATTERY POWER	12V	12V
LB133-9	INPUT	WASHER RESERVOIR LEVEL	RESERVOIR FULL: 12V	RESERVOIR EMPTY: OPEN CIRCUIT
LB133-10	OUTPUT	ABS BULB CHECK	ABS LIGHT ON: GROUND	ABS LIGHT OFF: 12V
LB133-19	OUTPUT	PARK BRAKE BULB CHECK	PARK LIGHT ON: GROUND	PARK LIGHT OFF: 12V



□ BATTERY POWER (FIG 1)

◇ IGNITION POWER (FIG 2)

▢ FIG NUMBER REFERENCE

# FIG 10 DATA

## COMPONENTS

DESCRIPTION	LOCATION	ACCESS
CLOCK	CENTER CONSOLE	—
SPEED INTERFACE UNIT	TRUNK, LEFT	REMOVE LEFT TRIM
SPEED SENSOR	DIFFERENTIAL	BENEATH VEHICLE
TRIP COMPUTER CONNECTOR	BEHIND CLOCK ASSEMBLY	REMOVE WOOD TRIM

---

## CONNECTORS

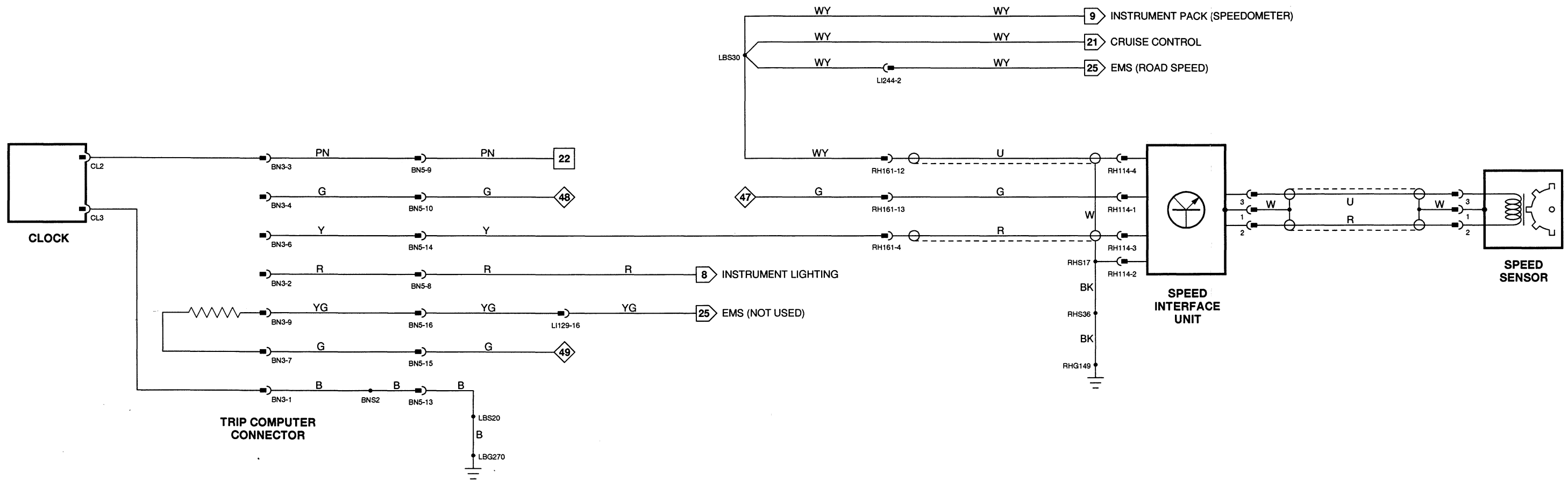
CODE	DESCRIPTION	LOCATION / INTERFACE
CL2	.250 BLADE (WHITE)	BEHIND CLOCK / CLOCK
CL3	.250 BLADE (WHITE)	BEHIND CLOCK / CLOCK
BN3	10-WAY SUMITOMO STD. (RED)	BEHIND CLOCK UNIT / TRIP COMPUTER CONNECTOR
BN5	20-WAY SUMITOMO BLOCK (WHITE)	BELOW LOWER RIGHT A/C OUTLET / BINNACLE HARNESS
LI129	24-WAY SUMITOMO BLOCK (RED)	BELOW LOWER RIGHT A/C OUTLET / BULKHEAD HARNESS
LI244	20-WAY MULTILOCK 70 (WHITE)	RIGHT 'A' POST BEHIND ECM / ENGINE MANAGEMENT HARNESS
RH114	4-WAY MULTILOCK 40 (BLACK)	BEHIND LEFT TRUNK LID GAS STRUT SUPPORT / SPEED INTERFACE UNIT
RH161	20-WAY SUMITOMO BLOCK (WHITE)	BELOW LOWER LEFT A/C OUTLET / REARWARD HARNESS

---

## GROUND

CODE	DESCRIPTION	LOCATION / INTERFACE
LBG270	EYELET	RIGHT 'A' POST FASCIA END PANEL / POWER GROUND
RHG149	EYELET	LEFT TRANSMISSION TUNNEL, ADJACENT TO DASH SUPPORT / POWER GROUND





□ BATTERY POWER (FIG 1)

◇ IGNITION POWER (FIG 2)

▭ FIG NUMBER REFERENCE

# FIG 11 DATA

## COMPONENTS

DESCRIPTION	LOCATION	ACCESS
DOOR SWITCH — DRIVER'S	LEFT 'A' POST	LEFT UNDER DASH PANEL
DRIVER'S SEAT BELT SWITCH	SEAT BELT LATCH	BASE OF LEFT SEAT MECHANISM
KEY IN SWITCH	STEERING COLUMN, RIGHT	COLUMN TRIM
LIGHTING AND TURN SIGNAL SWITCH	STEERING COLUMN, LEFT	REMOVE STEERING COLUMN TRIM
MULTI FUNCTION UNIT	RIGHT COMPONENT PANEL	PASSENGER'S UNDER DASH PANEL
RELAY — SIDE LIGHTS (LF10)	LEFT FRONT COMPONENT PANEL	ENGINE COMPARTMENT, LEFT

## CONNECTORS

CODE	DESCRIPTION	LOCATION / INTERFACE
CS1	20-WAY SUMITOMO BLOCK (WHITE)	ADJACENT TO STEERING COLUMN / COLUMN SWITCH GEAR HARNESS
CS2	6-WAY SUMITOMO STD. (WHITE)	LIGHTING STALK SWITCH GEAR / LIGHTING AND TURN SIGNAL SWITCH
CS6	.250 BLADE (WHITE)	LIGHTING AND TURN SIGNAL SWITCH / BULKHEAD HARNESS, SWITCH GEAR
DSM3	2-WAY MULTILOCK 40 (BLACK)	BEHIND DRIVER'S SEAT CONTROL UNIT / DRIVER'S SEAT SWITCH
LB133	20-WAY MULTILOCK 40 (BLACK)	RIGHT COMPONENT PANEL / MULTI FUNCTION UNIT
LB188	2-WAY SUMITOMO STD. (WHITE)	LEFT UNDER DASH 6" FROM 'A' POST SWITCH / DRIVER'S DOOR SWITCH
LB203	2-WAY MULTILOCK 40 (BLACK)	ADJACENT TO STEERING COLUMN / KEY IN SWITCH
LF1	16-WAY SUMITOMO BLOCK (RED)	LOWER LEFT 'A' POST / BULKHEAD HARNESS
LF10	RELAY BASE (BLUE)	LEFT FRONT COMPONENT PANEL / SIDE LIGHTS RELAY
RH160	24-WAY SUMITOMO BLOCK (WHITE)	BELOW LOWER LEFT A/C OUTLET / RIGHT SIDE HARNESS
SB1	3-WAY PM 5 (BLACK)	BENEATH CENTER CONSOLE, LEFT / DRIVER'S SEAT BELT SWITCH
SB2	3-WAY PM 5 (BLACK)	BY DRIVER'S SEAT CONTROL UNIT / DRIVER'S SEAT BELT HARNESS

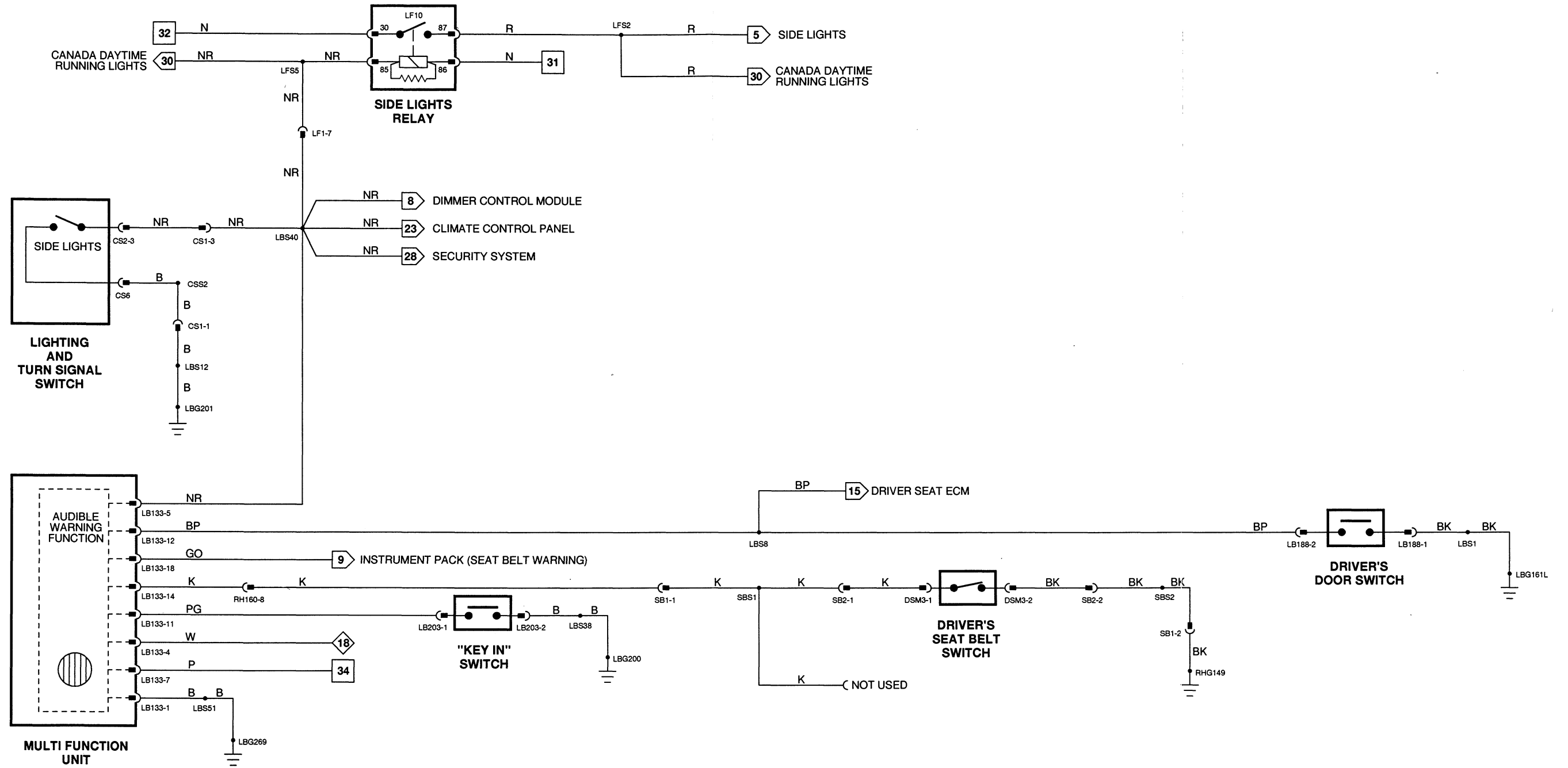
## GROUND

CODE	DESCRIPTION	LOCATION / INTERFACE
LBG161L	EYELET	LEFT TRANSMISSION TUNNEL, ADJACENT TO DASH SUPPORT / POWER GROUND
LBG200	EYELET	LEFT 'A' POST FASCIA END PANEL / POWER GROUND
LBG201	EYELET	LEFT 'A' POST FASCIA END PANEL / POWER GROUND
LBG269	EYELET	RIGHT 'A' POST FASCIA END PANEL / POWER GROUND
RHG149	EYELET	LEFT TRANSMISSION TUNNEL, ADJACENT TO DASH SUPPORT / POWER GROUND

## INPUTS / OUTPUTS

### MULTI FUNCTION UNIT

CODE	IN / OUT	CIRCUIT	ACTIVE	INACTIVE
LB133-1	INPUT	POWER GROUND	GROUND	GROUND
LB133-4	INPUT	IGNITION SWITCHED POWER	KEY ON: 12V	KEY OFF: OPEN CIRCUIT
LB133-5	INPUT	SIDELIGHTS	LIGHTS ON: GROUND	LIGHTS OFF: 12V
LB133-7	INPUT	BATTERY POWER	12V	12V
LB133-11	INPUT	KEY IN SWITCH	KEY IN: GROUND	KEY OUT: 12V
LB133-12	INPUT	DRIVER'S DOOR SWITCH	DOOR OPEN: GROUND	DOOR CLOSED: 12V
LB133-14	INPUT	DRIVER'S SEAT BELT SWITCH	BELT LATCHED: GROUND	BELT UNLATCHED: 12V
LB133-18	OUTPUT	INSTRUMENT PACK WARNINGS	LIGHT ON: GROUND	LIGHT OFF: 12V



□ BATTERY POWER (FIG 1)

◇ IGNITION POWER (FIG 2)

▭ FIG NUMBER REFERENCE

# FIG 12 DATA

## COMPONENTS

DESCRIPTION	LOCATION	ACCESS
DOOR LOCK CONTROL UNIT	INSIDE RIGHT 'A' POST	RIGHT UNDER DASH PANEL, 'A' POST TRIM
DOOR LOCK MOTOR — DRIVER'S	DRIVER'S DOOR	REMOVE DOOR TRIM
DOOR LOCK MOTOR — PASSENGER'S	PASSENGER'S DOOR	REMOVE DOOR TRIM
FUEL FILLER FLAP SOLENOID	LEFT REAR FENDER	REMOVE LEFT TRUNK TRIM
TRUNK LOCK MOTOR	ABOVE TRUNK LINKAGE	TRUNK LID

## CONNECTORS

CODE	DESCRIPTION	LOCATION / INTERFACE
BL7	2-WAY SUMITOMO STD. (WHITE)	TRUNK LOCK / TRUNK LOCK MOTOR
BL11	8-WAY SUMITOMO STD. (WHITE)	TOP RIGHT OF FUEL TANK / TRUNK LOCK HARNESS
DD5	6-WAY SUMITOMO STD. (WHITE)	DRIVER'S DOOR / DRIVER'S DOOR LOCK MOTOR
DD13	20-WAY SUMITOMO BLOCK (BLACK)	LEFT 'A' POST / DRIVER'S DOOR HARNESS
LB138	14-WAY REINSHAGEN (BLACK)	INSIDE RIGHT LOWER 'A' POST / DOOR LOCK CONTROL UNIT
PD5	6-WAY SUMITOMO STD. (WHITE)	PASSENGER'S DOOR / PASSENGER'S DOOR LOCK MOTOR
PD13	20-WAY SUMITOMO BLOCK (BLACK)	RIGHT 'A' POST / PASSENGER'S DOOR HARNESS
RH125	3-WAY PM 5 (YELLOW)	TOP OF FUEL TANK AT FILLER NECK / FUEL FILLER FLAP SOLENOID
RH160	24-WAY SUMITOMO BLOCK (WHITE)	BELOW LOWER LEFT A/C OUTLET / REARWARD HARNESS

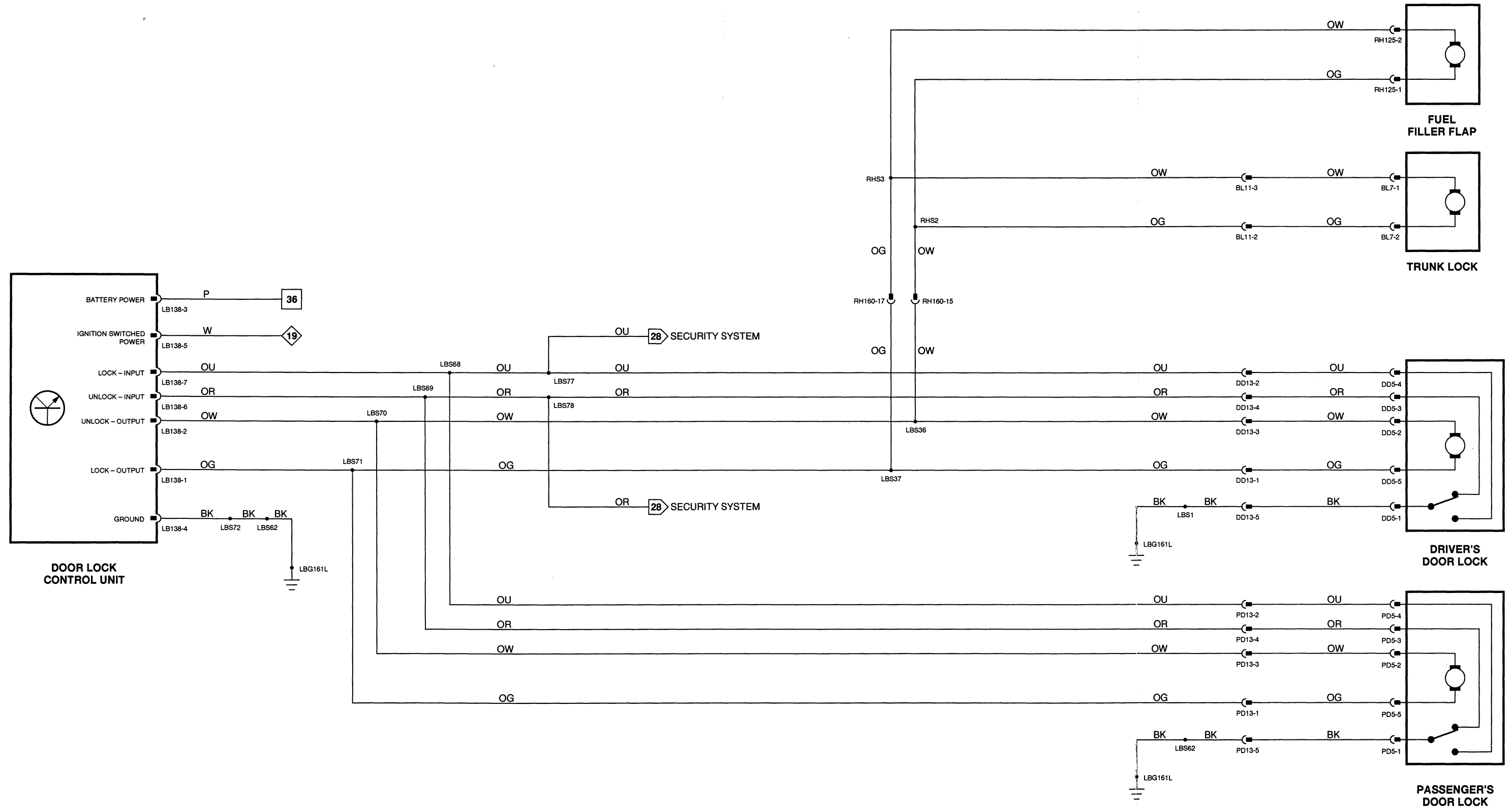
## GROUNDS

CODE	DESCRIPTION	LOCATION / INTERFACE
LBG161L	EYELET	LEFT TRANSMISSION TUNNEL ADJACENT TO DASH SUPPORT / POWER GROUND

## INPUTS / OUTPUTS

### DOOR LOCK CONTROL UNIT

CODE	IN / OUT	CIRCUIT	ACTIVE	INACTIVE
LB138-1	OUTPUT	LOCK MOTOR DRIVE	12V	0V
LB138-2	OUTPUT	UNLOCK MOTOR DRIVE	12V	0V
LB138-3	INPUT	BATTERY POWER	12V	12V
LB138-4	INPUT	POWER GROUND	GROUND	GROUND
LB138-5	INPUT	IGNITION SWITCHED POWER	12V	0V
LB138-6	INPUT	DOOR UNLOCK INPUT	GROUND	OPEN CIRCUIT
LB138-7	INPUT	DOOR LOCK INPUT	GROUND	OPEN CIRCUIT



□ BATTERY POWER (FIG 1)

◇ IGNITION POWER (FIG 2)

▢ FIG NUMBER REFERENCE

# FIG 13 DATA

## COMPONENTS

DESCRIPTION	LOCATION	ACCESS
WINDOW MOTOR — DRIVER'S	DRIVER'S DOOR	REMOVE TRIM
WINDOW MOTOR — PASSENGER'S	PASSENGER'S DOOR	REMOVE TRIM
WINDOW SWITCH — DRIVER'S	CENTER CONSOLE, LEFT	—
WINDOW SWITCH — PASSENGER'S	CENTER CONSOLE, RIGHT	—

---

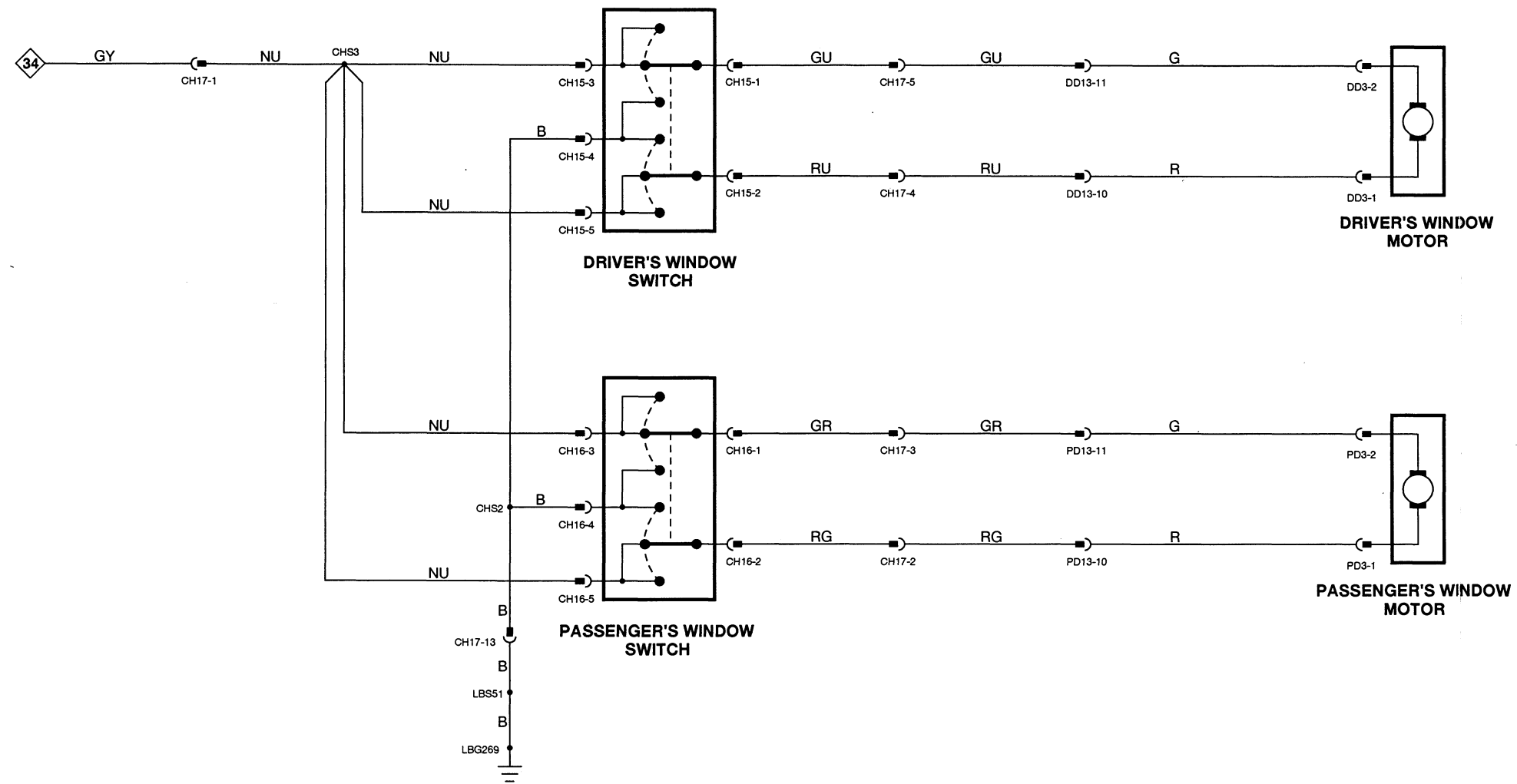
## CONNECTORS

CODE	DESCRIPTION	LOCATION / INTERFACE
CH15	6-WAY AMP (WHITE)	CENTER CONSOLE / DRIVER'S WINDOW SWITCH
CH16	6-WAY AMP (WHITE)	CENTER CONSOLE / PASSENGER'S WINDOW SWITCH
CH17	16-WAY SUMITOMO BLOCK (WHITE)	BELOW RIGHT A/C OUTLET / CENTER CONSOLE HARNESS
DD3	3-WAY PM 5 (BLACK)	DRIVER'S DOOR / DRIVER'S WINDOW LIFT MOTOR
DD13	20-WAY SUMITOMO BLOCK (BLACK)	LEFT 'A' POST / DRIVER'S DOOR HARNESS
PD3	3-WAY PM 5 (BLACK)	PASSENGER'S DOOR / PASSENGER'S WINDOW LIFT MOTOR
PD13	20-WAY SUMITOMO BLOCK (BLACK)	RIGHT 'A' POST / PASSENGER'S DOOR HARNESS

---

## GROUND

CODE	DESCRIPTION	LOCATION / INTERFACE
LBG269	EYELET	RIGHT 'A' POST FASCIA END PANEL / POWER GROUND



□ BATTERY POWER (FIG 1)

◇ IGNITION POWER (FIG 2)

◇ FIG NUMBER REFERENCE

# FIG 14 DATA

## COMPONENTS

DESCRIPTION	LOCATION	ACCESS
ACCESSORY CONNECTOR	BELOW LOWER RIGHT A/C OUTLET	REMOVE RIGHT SIDE CHECK PANEL
CIGAR LIGHTER	CENTER CONSOLE	—
HORN — LEFT	BELOW FRONT BUMPER, CENTER LEFT	—
HORN — RIGHT	BELOW FRONT BUMPER, CENTER RIGHT	—
HORN SWITCH	STEERING WHEEL	—
RELAY — HORN (RF2)	RIGHT FRONT COMPONENT PANEL	ENGINE COMPARTMENT, RIGHT
TELEPHONE ANTENNA	REAR WINDOW GLASS	TRUNK
TELEPHONE CHARGE CONNECTOR	CENTER CONSOLE	—
TELEPHONE HANDSET	CENTER CONSOLE	—
TELEPHONE MICROPHONE	LEFT 'A' POST AT WINDSHIELD	—
TELEPHONE SPEAKER	CENTER CONSOLE	—
TELEPHONE TRANSCEIVER	TRUNK BELOW BATTERY	BATTERY TRIM COVER

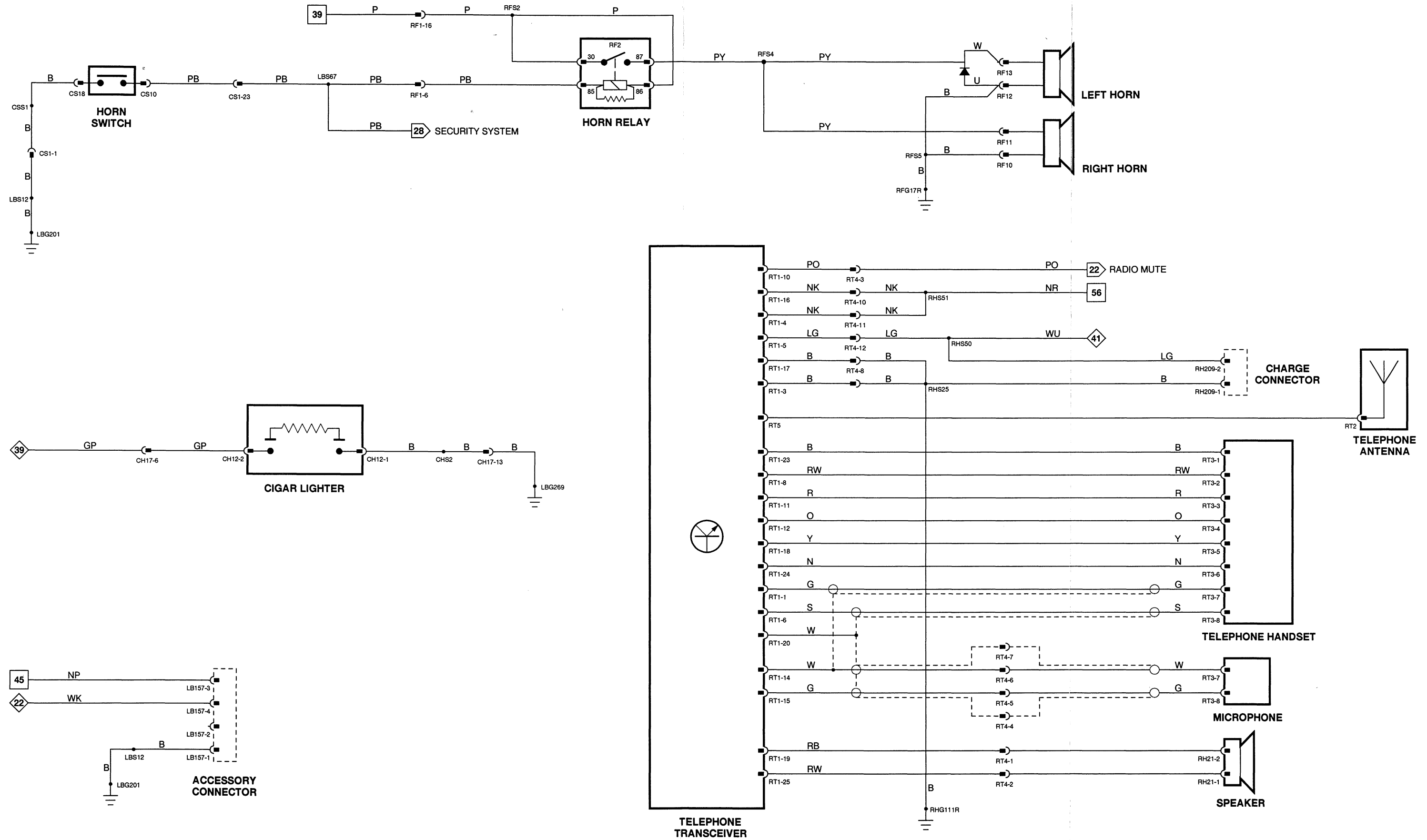
## CONNECTORS

CODE	DESCRIPTION	LOCATION / INTERFACE
BF3	10-WAY MULTILOCK 70 (WHITE)	ADJACENT TO LEFT TAIL LIGHT CLUSTER / TELEPHONE HARNESS
CH12	2-WAY .250 BLADE (BLACK)	CENTER CONSOLE / CIGAR LIGHTER
CH17	16-WAY SUMITOMO BLOCK (WHITE)	BELOW RIGHT A/C OUTLET / CENTER CONSOLE HARNESS
CS1	24-WAY SUMITOMO BLOCK (WHITE)	ADJACENT TO STEERING COLUMN / COLUMN SWITCH GEAR HARNESS
CS10	1-WAY RIST (BLACK)	HORN CONTACT / HORN RING
CS18	SOCKET	STEERING COLUMN / HORN GROUNDING RING
LB157	4-WAY SUMITOMO STANDARD (WHITE)	BELOW LOWER RIGHT A/C OUTLET / ACCESSORY CONNECTOR
RF1	20-WAY SUMITOMO BLOCK (RED)	RIGHT 'A' POST / RF HARNESS
RF2	RELAY BASE (BLACK)	RIGHT FRONT COMPONENT PANEL / HORN RELAY
RF10	.250 BLADE (BLACK)	RIGHT FRONT HORN / HORN
RF11	.250 BLADE (BLACK)	RIGHT FRONT HORN / HORN
RF12	.250 BLADE (BLACK)	LEFT FRONT HORN / HORN
RF13	.250 BLADE (BLACK)	LEFT FRONT HORN / HORN
RH160	24-WAY SUMITOMO BLACK (WHITE)	BELOW LOWER LEFT A/C OUTLET / REARWARD HARNESS
RH185	4-WAY MULTILOCK 70 (WHITE)	ABOVE LEFT TAIL LIGHT / TELEPHONE HARNESS
RH209	2-WAY MULTILOCK 40 (BLUE)	CENTER CONSOLE BELOW CUBBY BOX / CHARGER CONNECTOR
RH210	2-WAY MULTILOCK 40 (BLUE)	LEFT 'A' POST WINDSHIELD TRIM, 6" ABOVE DASH / MICROPHONE
RH211	2-WAY MULTILOCK 40 (SLATE)	CENTER CONSOLE BELOW CUBBY BOX / TELEPHONE SPEAKER
RT1	25-WAY TRANSCEIVER CONNECTOR (BLACK)	BELOW BATTERY TRAY / TELEPHONE TRANSCEIVER
RT2	1-WAY SPADE (BLACK)	ABOVE LEFT REAR WHEEL ARCH / TELEPHONE ANTENNA
RT3	8-WAY STANDARD PHONE JACK (BLACK)	CENTER CONSOLE BELOW CUBBY BOX / TELEPHONE HANDSET
RT4	12-WAY MULTILOCK 40 (BLACK)	BEHIND SPARE TIRE, FUEL TANK TRIM / REARWARD HARNESS
RT5	PART OF RT1 HARNESS (SEE RT1 ABOVE)	

## GROUNDS

CODE	DESCRIPTION	LOCATION / INTERFACE
LBG201	EYELET	LEFT 'A' POST FASCIA END PANEL / POWER GROUND
LBG289	EYELET	RIGHT 'A' POST FASCIA END PANEL
RFG17R	EYELET	FRONT RIGHT INNER FENDER BEHIND HORN RELAY / POWER GROUND
RHG111R	EYELET	RIGHT REAR INNER WHEEL ARCH / POWER GROUND





BATTERY POWER (FIG 1)

IGNITION POWER (FIG 2)

FIG NUMBER REFERENCE

# FIG 15 DATA

## COMPONENTS

DESCRIPTION	LOCATION	ACCESS
DOOR SWITCH — DRIVER'S	LEFT 'A' POST	LEFT UNDER DASH PANEL
DOOR SWITCH PACK — DRIVER'S	DRIVER'S DOOR	REMOVE TRIM
DRIVER'S SEAT AND MIRROR CONTROL UNIT	FRONT OF DRIVER'S SEAT	REMOVE FOOTWELL COVER
LUMBAR PUMP	DRIVER'S SEAT BACK	—
MIRROR — DRIVER'S	DRIVER'S DOOR	—
MIRROR — PASSENGER'S	PASSENGER'S DOOR	—
MIRROR ADJUST SWITCH PACK	RIGHT OF STEERING COLUMN ON FASCIA	LEFT UNDER DASH PANEL
RELAY — REVERSE LIGHTS (RH184)	ABOVE RIGHT REAR WHEEL ARCH	RIGHT TRUNK TRIM PANEL
TRANSMISSION ROTARY SWITCH	LEFT SIDE OF GEARBOX	ON GEARBOX

## CONNECTORS

CODE	DESCRIPTION	LOCATION / INTERFACE
DD1	4-WAY SUMITOMO SEALED (GREEN)	INNER DRIVER'S DOOR BELOW MIRROR / DRIVER'S MIRROR MOTORS
DD2	6-WAY SUMITOMO SEALED (GREEN)	INNER DRIVER'S DOOR BELOW MIRROR / DRIVER'S MIRROR MOTORS
DD4	14-WAY SUMITOMO BLOCK (SLATE)	DRIVER'S DOOR / DRIVER'S DOOR SWITCH PACK
DD12	13-WAY SUMITOMO BLOCK (RED)	LEFT 'A' POST / DD HARNESS
DD13	20-WAY SUMITOMO BLOCK (BLACK)	LEFT INNER 'A' POST / DD HARNESS
DS1	24-WAY SUMITOMO BLOCK (WHITE)	LEFT 'A' POST / DRIVER'S DOOR HARNESS
DS2	48-WAY AMP PCB SIGNAL (BLACK)	UNDER CARPET, FRONT OF DRIVER'S SEAT / DRIVER'S SEAT AND MIRROR CONTROL MODULE
DS3	12-WAY AMP PCB POWER (BLACK)	UNDER CARPET, FRONT OF DRIVER'S SEAT / DRIVER'S SEAT AND MIRROR CONTROL MODULE
DS6	16-WAY SUMITOMO BLOCK (BLACK)	LEFT 'A' POST / DRIVER'S DOOR HARNESS
DSM1	20-WAY AMP PCB POWER (BLACK)	FRONT OF DRIVER'S SEAT / CONTROL MODULE OUTPUT TO SEAT MOTORS
DSM5	6-WAY MULTILOCK 70 (WHITE)	BELOW DRIVER'S SEAT PAD / DRIVER'S SEAT RECLINE MOTOR
DSM6	3-WAY MULTILOCK 70 (YELLOW)	BELOW DRIVER'S SEAT PAD / DRIVER'S SEAT LUMBAR PUMP
DSM7	6-WAY MULTILOCK 70 (SLATE)	BELOW DRIVER'S SEAT PAD / DRIVER'S SEAT FORE/AFT MOTOR
GH9	16-WAY SUMITOMO BLOCK (BLACK)	BELOW LOWER RIGHT A/C OUTLET / GEARBOX HARNESS
GH11	12-WAY MULTILOCK 40 (BLACK)	BELOW LOWER LEFT A/C OUTLET / TRANSMISSION ROTARY SWITCH
GH12	8-WAY MULTILOCK 70 (WHITE)	BELOW LOWER RIGHT A/C OUTLET / TRANSMISSION ROTARY SWITCH
GH14	2-WAY MULTILOCK 70 (WHITE)	BELOW LOWER RIGHT A/C OUTLET / TRANSMISSION ROTARY SWITCH
LB171	8-WAY MULTI-PLUG (BLACK)	BEHIND MIRROR CONTROL SWITCH / MIRROR ADJUST SWITCH PACK
LB188	2-WAY SUMITOMO STD. (WHITE)	LEFT UNDER DASH PANEL 8" FROM 'A' POST / DRIVER'S DOOR SWITCH
PD1	4-WAY SUMITOMO SEALED (GREEN)	INNER PASSENGER'S DOOR BELOW MIRROR / PASSENGER'S MIRROR MOTORS
PD2	6-WAY SUMITOMO SEALED (GREEN)	INNER PASSENGER'S DOOR BELOW MIRROR / PASSENGER'S MIRROR MOTORS
PD13	20-WAY SUMITOMO BLOCK (BLACK)	RIGHT INNER 'A' POST / PD HARNESS
RH180	24-WAY SUMITOMO BLACK (WHITE)	BELOW LOWER LEFT A/C OUTLET / REARWARD HARNESS
RH184	RELAY BASE (BLUE)	ABOVE RIGHT REAR WHEEL ARCH / REVERSE LIGHTS RELAY

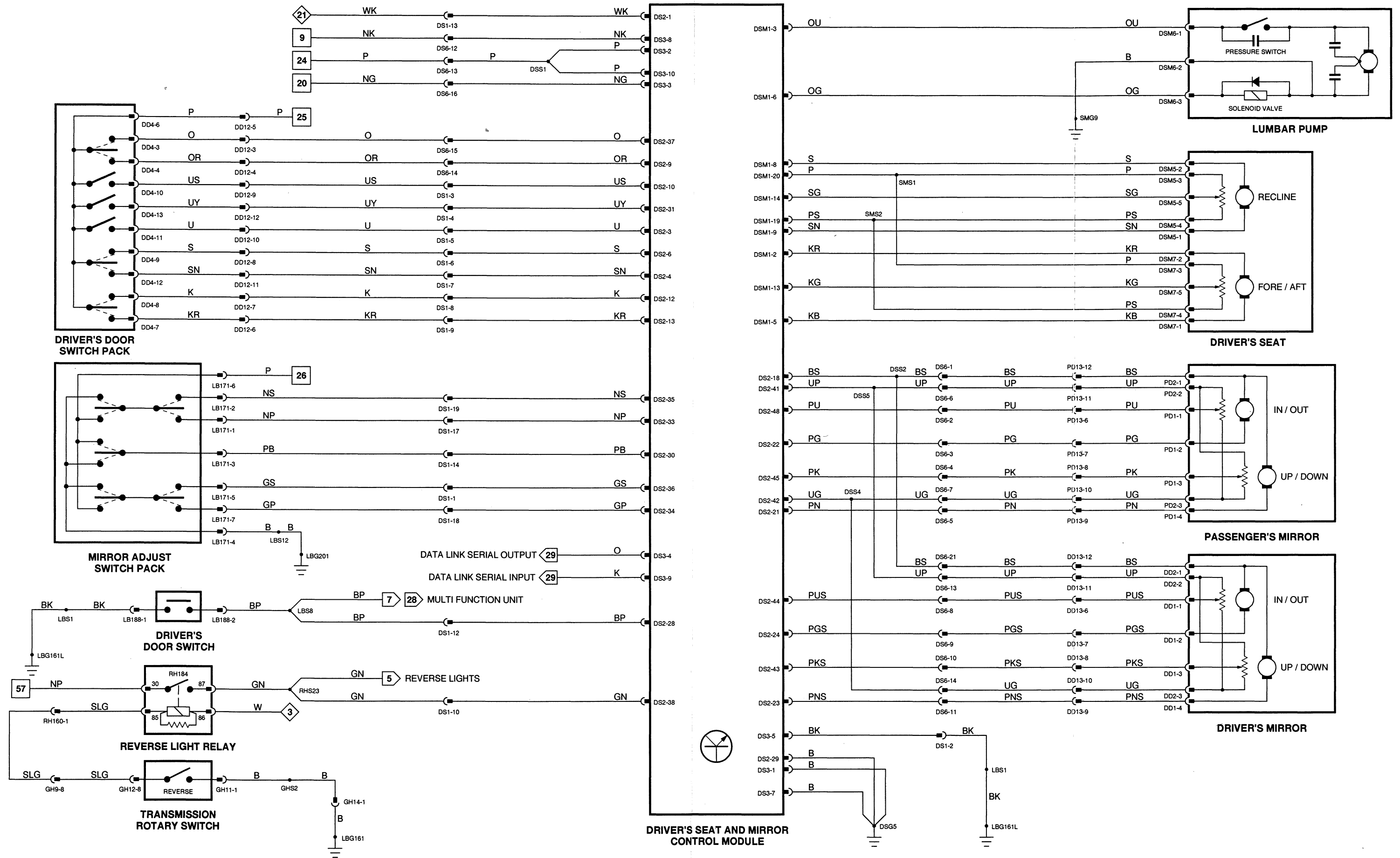
## GROUNDS

CODE	DESCRIPTION	LOCATION / INTERFACE
DSG5	EYELET	DRIVER'S FOOTWELL, FRONT LEFT OF SEAT SUPPORT / POWER GROUND
LBG161	EYELET	LEFT TRANSMISSION TUNNEL BY A/C SUPPORT / POWER GROUND
LBG161L	EYELET	LEFT TRANSMISSION TUNNEL BY A/C SUPPORT / LOGIC GROUND
RHG105	EYELET	RIGHT FRONT ENGINE BULKHEAD / POWER GROUND
SMG9	EYELET	DRIVER'S FOOTWELL, FRONT LEFT OF SEAT SUPPORT / POWER GROUND

## INPUTS / OUTPUTS

### DRIVER'S SEAT AND MIRRORS CONTROL MODULE

CODE	IN / OUT	CIRCUIT	ACTIVE	INACTIVE
DS2-1	INPUT	IGNITION SWITCHED POWER	12V	0V
DS2-3	INPUT	SEAT MEMORY "M"	BUTTON IN: 12V	BUTTON OUT: 0V
DS2-4	INPUT	DRIVER'S LUMBAR PUMP INFLATE	BUTTON IN: 12V	BUTTON OUT: 0V
DS2-6	INPUT	DRIVER'S LUMBAR PUMP DEFLATE	BUTTON IN: 12V	BUTTON OUT: 0V
DS2-9	INPUT	DRIVER'S SEAT BACK UP	BUTTON IN: 12V	BUTTON OUT: 0V
DS2-10	INPUT	SEAT MEMORY "1"	12V	0V
DS2-12	INPUT	DRIVER'S SEAT MOTOR AFT	BUTTON IN: 12V	BUTTON OUT: 0V
DS2-13	INPUT	DRIVER'S SEAT MOTOR FORWARD	BUTTON IN: 12V	BUTTON OUT: 0V
DS2-18	OUTPUT	PASSENGER'S MIRROR MOTOR DRIVE	IN OR DOWN POSITION: 12V	0V
DS2-21	OUTPUT	PASSENGER'S MIRROR MOTOR DRIVE	IN OR UP POSITION: 12V	0V
DS2-22	OUTPUT	PASSENGER'S MIRROR MOTOR DRIVE	DOWN OR OUT POSITION: 12V	0V
DS2-23	OUTPUT	DRIVER'S MIRROR MOTOR DRIVE	UP OR OUT POSITION: 12V	0V
DS2-24	OUTPUT	DRIVER'S MIRROR MOTOR DRIVE	IN OR DOWN POSITION: 12V	0V
DS2-28	INPUT	DRIVER'S 'A' POST SWITCH	DOOR OPEN: GROUND	DOOR CLOSED: 12V
DS2-29	OUTPUT	POWER GROUND	GROUND	GROUND
DS2-30	INPUT	("REVERSE SELECT") MIRROR MOTOR DRIVE	MIRROR BUTTON PRESSED: 12V	BUTTON RELEASED: 0V
DS2-31	INPUT	SEAT MEMORY "2"	BUTTON IN: 12V	BUTTON OUT: 0V
DS2-33	INPUT	DRIVER'S MIRROR UP	12V	0V
DS2-34	INPUT	DRIVER'S MIRROR IN	12V	0V
DS2-35	INPUT	PASSENGER'S MIRROR UP	12V	0V
DS2-36	INPUT	PASSENGER'S MIRROR OUT	12V	0V
DS2-37	INPUT	DRIVER'S SEAT BACK RECLINE	BUTTON IN: 12V	BUTTON OUT: 0V
DS2-38	INPUT	REVERSE SWITCH	"R" SELECTED: 12V	0V
DS2-41	OUTPUT	MIRROR POTENTIOMETER REF. VOLTAGE	"M" DEPRESSED: APPROX. 4.5V	0V
DS2-42	OUTPUT	MIRROR POTENTIOMETER GROUND	GROUND	GROUND
DS2-43	INPUT	DRIVER'S MIRROR POTENTIOMETER SWEEP	MIRROR FULL UP: APPROX. 4.5V	DOWN: .3V
DS2-44	INPUT	DRIVER'S MIRROR POTENTIOMETER SWEEP	MIRROR FULL OUT: APPROX. 1V	IN: 3.5V
DS2-45	INPUT	PASSGR'S MIRROR POTENTIOMETER SWEEP	MIRROR FULL UP: APPROX. 4.5V	DOWN .3V
DS2-48	INPUT	PASSGR'S MIRROR POTENTIOMETER SWEEP	MIRROR FULL OUT: APPROX. 3.5V	IN: 1V
DS3-1	INPUT	POWER GROUND	GROUND	GROUND
DS3-2	INPUT	BATTERY POWER	12V	12V
DS3-3	INPUT	BATTERY POWER	12V	12V
DS3-4	OUTPUT	DIAGNOSTIC SOCKET	—	—
DS3-5	INPUT	POWER GROUND	GROUND	GROUND
DS3-7	INPUT	POWER GROUND	GROUND	GROUND
DS3-8	INPUT	BATTERY POWER	12V	12V
DS3-9	OUTPUT	DIAGNOSTIC SOCKET	—	—
DS3-10	INPUT	BATTERY POWER	12V	12V
SM1-2	OUTPUT	DRIVER'S SEAT FORE/AFT MOTOR	12V	0V
SM1-3	OUTPUT	DRIVER'S LUMBAR PUMP	12V	0V
SM1-5	OUTPUT	DRIVER'S SEAT FORE/AFT MOTOR	12V	0V
SM1-6	OUTPUT	DRIVER'S LUMBAR PUMP	12V	0V
SM1-8	OUTPUT	DRIVER'S SEAT RECLINE MOTOR	12V	0V
SM1-9	OUTPUT	DRIVER'S SEAT RECLINE MOTOR	12V	0V
SM1-13	INPUT	DRIVER'S SEAT FORE/AFT POTENTIOMETER	FULL BACK: APPROX. 0.3V	FORWARD: 4.0V
SM1-14	INPUT	DRIVER'S SEAT RECLINE POTENTIOMETER	RECLINED: 4.0V	VERTICAL: 1.0V
SM1-19	OUTPUT	DRIVER'S SEAT POTENTIOMETER REFERENCE GROUND	GROUND	GROUND
SM1-20	OUTPUT	DRIVER'S SEAT POTENTIOMETER REFERENCE VOLTAGE	"M" DEPRESSED: APPROX. 4.5V	0V



BATTERY POWER (FIG 1)
 
 IGNITION POWER (FIG 2)
 

7 FIG NUMBER REFERENCE

NOTE: THE MIRROR MEMORY FUNCTION WAS DELETED AS A RUNNING CHANGE, VIN 192880 ON.

# FIG 16 DATA

## COMPONENTS

DESCRIPTION	LOCATION	ACCESS
DOOR SWITCH — PASSENGER'S	RIGHT 'A' POST	RIGHT UNDER DASH PANEL
DOOR SWITCH PACK — PASSENGER'S	PASSENGER'S DOOR	REMOVE TRIM
LUMBAR PUMP — PASSENGER'S	PASSENGER'S SEAT BACK	—
PASSENGER'S SEAT CONTROL MODULE	IN FRONT OF PASSENGER'S SEAT	REMOVE FOOTWELL COVER

## CONNECTORS

CODE	DESCRIPTION	LOCATION / INTERFACE
LB140	2-WAY SUMITOMO STD. (WHITE.)	LEFT UNDER DASH PANEL 6" FROM DOOR SWITCH / PASSENGER'S DOOR SWITCH
PD4	14-WAY SUMITOMO BLOCK (SLATE)	BEHIND PASSENGER'S DOOR TRIM / PASSENGER'S DOOR SWITCH PACK
PD12	13-WAY SUMITOMO BLOCK (RED)	INSIDE RIGHT 'A' POST / PASSENGER'S DOOR HARNESS
PS1	16-WAY SUMITOMO BLOCK (RED)	INSIDE RIGHT 'A' POST / PASSENGER'S DOOR HARNESS
PS2	48-WAY AMP PCB SIGNAL (BLACK)	UNDER CARPET, FRONT OF PASSENGER'S SEAT / PASSENGER'S SEAT CONTROL MODULE
PS3	12-WAY AMP PCB POWER (BLACK)	UNDER CARPET, FRONT OF PASSENGER'S SEAT / PASSENGER'S SEAT CONTROL MODULE
SN1	12-WAY AMP PCB POWER (YELLOW)	FRONT OF PASSENGER'S SEAT / CONTROL MODULE OUTPUT TO SEAT MOTORS
SN5	6-WAY MULTILOCK 70 (WHITE)	BELOW PASSENGER'S SEAT PAD / PASSENGER'S SEAT RECLINE MOTOR
SN6	3-WAY PM 5 (YELLOW)	BELOW PASSENGER'S SEAT PAD / PASSENGER'S SEAT LUMBAR PUMP
SN7	6-WAY MULTILOCK 70 (SLATE)	BELOW PASSENGER'S SEAT PAD / PASSENGER'S SEAT FORE/AFT MOTOR

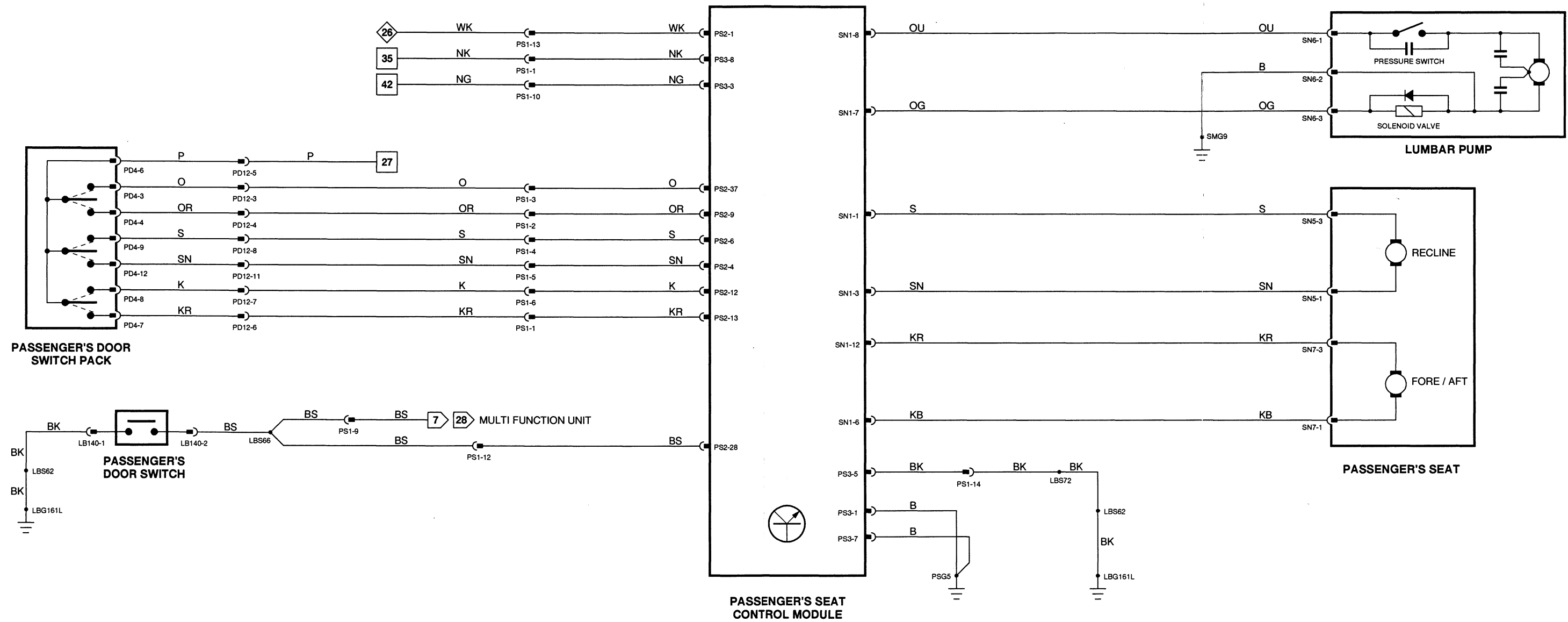
## GROUND

CODE	DESCRIPTION	LOCATION / INTERFACE
LBG161L	EYELET	LEFT TRANSMISSION TUNNEL ADJACENT TO DASH SUPPORT / LOGIC GROUND
PSG5	EYELET	PASSENGER'S FOOTWELL, FRONT RIGHT OF SEAT SUPPORT / POWER GROUND
SMG9	EYELET	PASSENGER'S FOOTWELL, FRONT RIGHT OF SEAT SUPPORT / POWER GROUND

## INPUTS / OUTPUTS

### PASSENGER'S SEAT CONTROL UNIT

CODE	IN / OUT	CIRCUIT	ACTIVE	INACTIVE
PS2-1	INPUT	IGNITION SWITCHED POWER	12V	0V
PS2-4	INPUT	PASSENGER'S LUMBAR PUMP INFLATE	BUTTON IN: 12V	BUTTON OUT: 0V
PS2-5	INPUT	POWER GROUND	GROUND	GROUND
PS2-6	INPUT	PASSENGER'S LUMBAR PUMP DEFLATE	BUTTON IN: 12V	BUTTON OUT: 0V
PS2-9	INPUT	PASSENGER'S SEAT BACK UP SWITCH	BUTTON IN: 12V	BUTTON OUT: 0V
PS2-12	INPUT	PASSENGER'S SEAT AFT SWITCH	BUTTON IN: 12V	BUTTON OUT: 0V
PS2-13	INPUT	PASSENGER'S SEAT FORWARD SWITCH	BUTTON IN: 12V	BUTTON OUT: 0V
PS2-28	INPUT	PASSENGER'S 'A' POST SWITCH	DOOR OPEN: GROUND	DOOR CLOSED: 12V
PS2-37	INPUT	PASSENGER'S SEAT BACK RECLINE	BUTTON IN: 12V	BUTTON OUT: 0V
PS3-1	INPUT	POWER GROUND	GROUND	GROUND
PS3-3	INPUT	BATTERY POWER	12V	12V
PS3-7	INPUT	POWER GROUND	GROUND	GROUND
PS3-8	INPUT	BATTERY POWER	12V	12V
SN1-1	OUTPUT	PASSENGER'S SEAT RECLINE MOTOR	12V	0V
SN1-3	OUTPUT	PASSENGER'S SEAT RECLINE MOTOR	12V	0V
SN1-6	OUTPUT	PASSENGER'S SEAT FORE/AFT MOTOR	12V	0V
SN1-7	OUTPUT	PASSENGER'S LUMBAR PUMP	12V	0V
SN1-8	OUTPUT	PASSENGER'S LUMBAR PUMP	12V	0V
SN1-12	OUTPUT	PASSENGER'S SEAT FORE/AFT MOTOR	12V	0V



□ BATTERY POWER (FIG 1)

◇ IGNITION POWER (FIG 2)

▭ FIG NUMBER REFERENCE

# FIG 17 DATA

## COMPONENTS

DESCRIPTION	LOCATION	ACCESS
DOOR SWITCH PACK — DRIVER'S	DRIVER'S DOOR	REMOVE TRIM
DOOR SWITCH PACK — PASSENGER'S	PASSENGER'S DOOR	REMOVE TRIM
SEAT HEATER CONTROL UNIT — DRIVER'S	FRONT OF DRIVER'S SEAT	REMOVE SEAT ECU COVER
SEAT HEATER CONTROL UNIT — PASSENGER'S	FRONT OF PASSENGER'S SEAT	REMOVE SEAT ECU COVER
SEAT HEATERS — DRIVER'S	DRIVER'S SEAT CUSHION	
SEAT HEATERS — PASSENGER'S	PASSENGER'S SEAT CUSHION	

## CONNECTORS

CODE	DESCRIPTION	LOCATION / INTERFACE
DD4	14-WAY SUMITOMO BLOCK (SLATE)	DRIVER'S DOOR / DRIVER'S DOOR SWITCH PACK
DD12	13-WAY SUMITOMO BLOCK (RED)	INSIDE LEFT 'A' POST / DRIVER'S DOOR HARNESS
DD13	20-WAY SUMITOMO BLOCK (BLACK)	LEFT 'A' POST / DRIVER'S DOOR HARNESS
DS1	24-WAY SUMITOMO BLOCK (WHITE)	INSIDE LEFT 'A' POST / DRIVER'S DOOR HARNESS
DS7	GROTE AND HARTMAN (GREEN)	FRONT OF DRIVER'S SEAT / SEAT HEATER CONTROL UNIT
PD4	14-WAY SUMITOMO BLOCK (SLATE)	PASSENGER'S DOOR / PASSENGER'S DOOR SWITCH PACK
PD12	13-WAY SUMITOMO BLOCK (RED)	INSIDE RIGHT 'A' POST / PASSENGER'S DOOR HARNESS
PD13	20-WAY SUMITOMO BLOCK (BLACK)	RIGHT 'A' POST / PASSENGER'S DOOR HARNESS
PS1	16-WAY SUMITOMO BLOCK (WHITE)	INSIDE RIGHT 'A' POST / PASSENGER DOOR HARNESS
PS7	GROTE AND HARTMAN (GREEN)	FRONT OF PASSENGER'S SEAT / PASSENGER'S SEAT HEATER CONTROL UNIT
SM2	GROTE AND HARTMAN (BLACK)	FRONT OF DRIVER'S SEAT / SEAT HEATER CONTROL UNIT
SM4	4-WAY MULTILOCK 70 (WHITE)	BELOW DRIVER'S SEAT / SEAT HEATER ELEMENT
SN2	GROTE AND HARTMAN (BLACK)	FRONT OF PASSENGER'S SEAT / PASSENGER'S SEAT HEATER CONTROL UNIT
SN4	4-WAY MULTILOCK 70 (WHITE)	BELOW PASSENGER'S SEAT / SEAT HEATER ELEMENT

## GROUND

CODE	DESCRIPTION	LOCATION / INTERFACE
DSG5	EYELET	DRIVER'S FOOTWELL, FRONT LEFT OF SEAT SUPPORT / POWER GROUND
LBG200	EYELET	LEFT 'A' POST FASCIA END PANEL / POWER GROUND
LBG269	EYELET	RIGHT 'A' POST FASCIA END PANEL / POWER GROUND
PSG5	EYELET	PASSENGER'S FOOTWELL, FRONT RIGHT OF SEAT SUPPORT / POWER GROUND

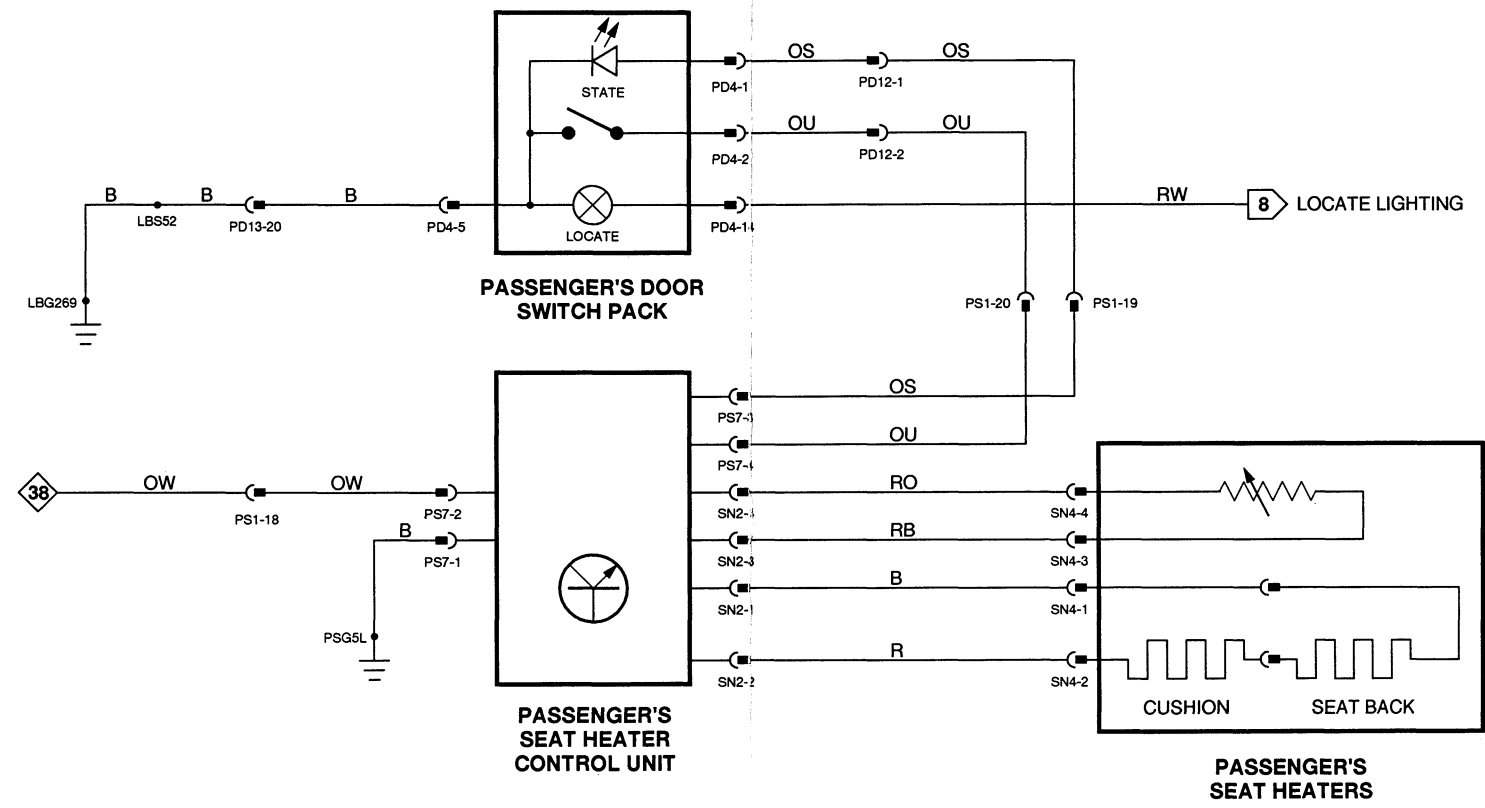
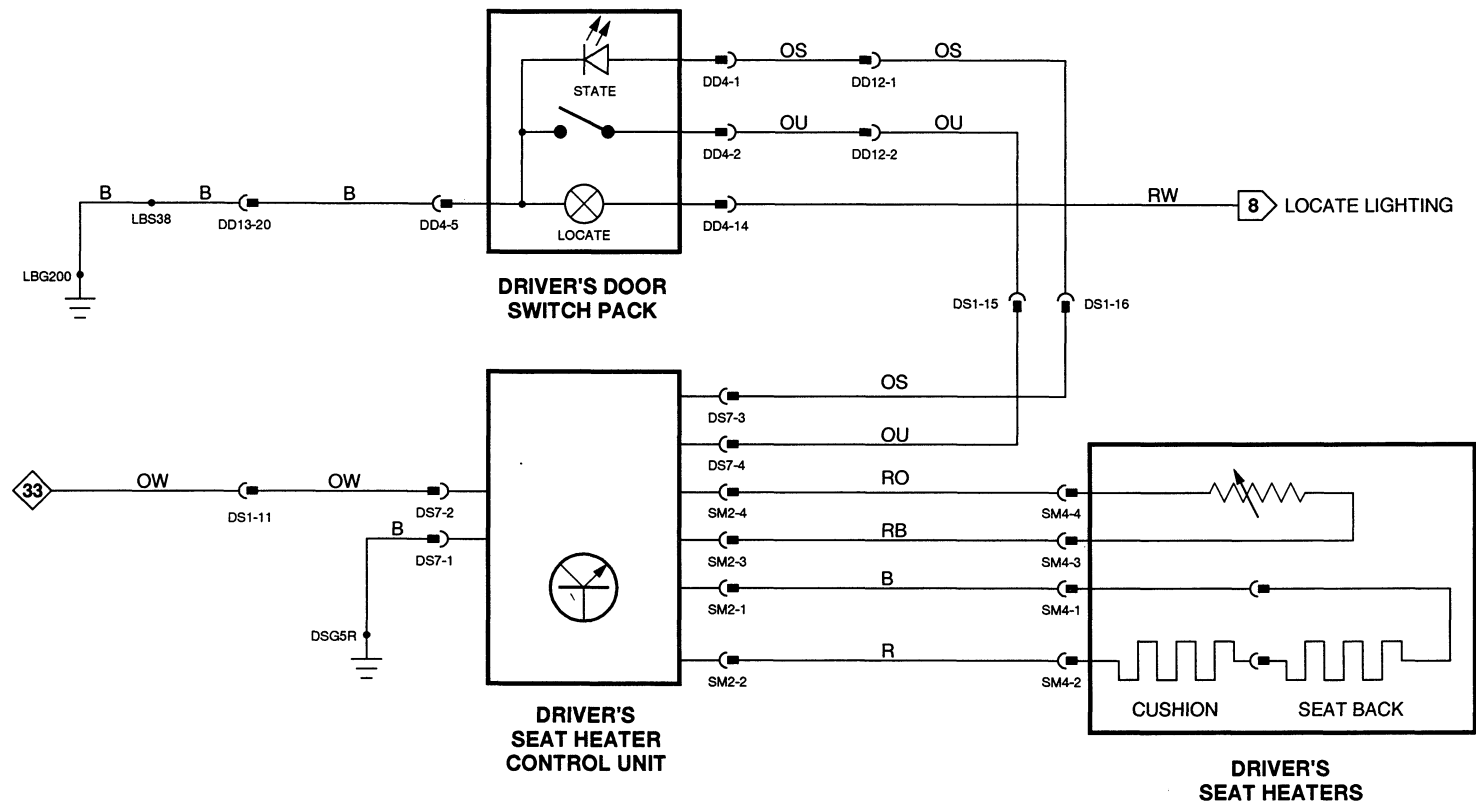
## INPUTS / OUTPUTS

### DRIVER'S SEAT HEATER CONTROL UNIT

CODE	IN / OUT	CIRCUIT	ACTIVE	INACTIVE
DS7-1	INPUT	POWER GROUND	GROUND	GROUND
DS7-2	INPUT	IGNITION SWITCHED POWER	12V	0V
DS7-3	OUTPUT	HEATER ON LED	HEATER ON: 8V	OPEN CIRCUIT
DS7-4	INPUT	DRIVER'S SEAT HEATER "ON" BUTTON	BUTTON IN: GROUND	BUTTON OUT: 12V
SM2-1	INPUT	DRIVER'S SEAT HEATER ELEMENT GROUND	GROUND	OPEN CIRCUIT
SM2-2	OUTPUT	DRIVER'S SEAT HEATER ELEMENT	12V	GROUND
SM2-3	INPUT	SEAT HEATER THERMOSTAT INPUT (ROOM TEMP.)	HEATER ON: APPROX. 9V	KEY OFF: 0V
SM2-4	OUTPUT	SEAT HEATER THERMOSTAT REFERENCE VOLTAGE	APPROX. 12V	KEY OFF: 0V

### PASSENGER'S SEAT HEATER CONTROL UNIT

CODE	IN / OUT	CIRCUIT	ACTIVE	INACTIVE
PS7-1	INPUT	POWER GROUND	GROUND	GROUND
PS7-2	INPUT	IGNITION SWITCHED POWER	12V	0V
PS7-3	OUTPUT	HEATER ON LED	HEATER ON: 8V	OPEN CIRCUIT
PS7-4	INPUT	PASSENGER'S SEAT HEATER "ON" BUTTON	BUTTON IN: GROUND	BUTTON OUT: 12V
SN2-1	INPUT	PASSENGER'S SEAT HEATER ELEMENT GROUND	GROUND	OPEN CIRCUIT
SN2-2	OUTPUT	PASSENGER'S SEAT HEATER ELEMENT	12V	GROUND
SN2-3	INPUT	SEAT HEATER THERMOSTAT INPUT (ROOM TEMP.)	HEATER ON: APPROX. 9V	KEY OFF: 0V
SN2-4	OUTPUT	SEAT HEATER THERMOSTAT REFERENCE VOLTAGE	APPROX. 12V	KEY OFF: 0V



□ BATTERY POWER (FIG 1)

◇ IGNITION POWER (FIG 2)

▭ FIG NUMBER REFERENCE

# FIG 18 DATA

## COMPONENTS

DESCRIPTION	LOCATION	ACCESS
HEATED REAR WINDOW SWITCH*	LEFT OF STEERING COLUMN	SNAP IN BEZEL
MULTI FUNCTION UNIT	RIGHT COMPONENT PANEL	RIGHT UNDER DASH PANEL
RELAY — HEATED REAR WINDOW (LB132)	LEFT COMPONENT PANEL	LEFT UNDER DASH PANEL

\* FOG LIGHT SWITCHES AND HAZARD / HEATED REAR WINDOW SWITCH LOCATIONS DIFFER DEPENDENT ON INSTALLED OPTIONS. CONNECTOR, PIN AND WIRE INFORMATION REMAINS THE SAME FOR ALL OPTIONS.

## CONNECTORS

CODE	DESCRIPTION	LOCATION / INTERFACE
DD2	6-WAY SUMITOMO SEALED (GREEN)	INNER DRIVER'S DOOR BELOW MIRROR / DRIVER'S MIRROR HEATER
DD13	20-WAY SUMITOMO BLOCK (BLACK)	LEFT 'A' POST / DD HARNESS
LB132	RELAY BASE (BLUE)	LEFT COMPONENT PANEL / HEATED REAR WINDOW RELAY
LB133	20-WAY MULTILOCK 40 (BLACK)	RIGHT COMPONENT PANEL / MULTI FUNCTION UNIT
LB176	10-WAY MULTILOCK 70 (WHITE)	BEHIND HEATED REAR WINDOW SWITCH / HEATED REAR WINDOW SWITCH
PD2	6-WAY SUMITOMO SEALED (GREEN)	INNER PASSENGER'S DOOR BELOW MIRROR / PASSENGER'S MIRROR HEATER
PD13	20-WAY SUMITOMO BLOCK (BLACK)	RIGHT 'A' POST / PASSENGER'S DOOR HARNESS
RH110	.250 BLADE (BLACK)	HEATED REAR WINDOW GRID / WINDOW ELEMENT
RH151	.250 BLADE (BLACK)	HEATED REAR WINDOW GRID / WINDOW ELEMENT
RH161	20-WAY SUMITOMO BLOCK (WHITE)	BELOW LOWER LEFT A/C OUTLET / REARWARD HARNESS

## GROUNDS

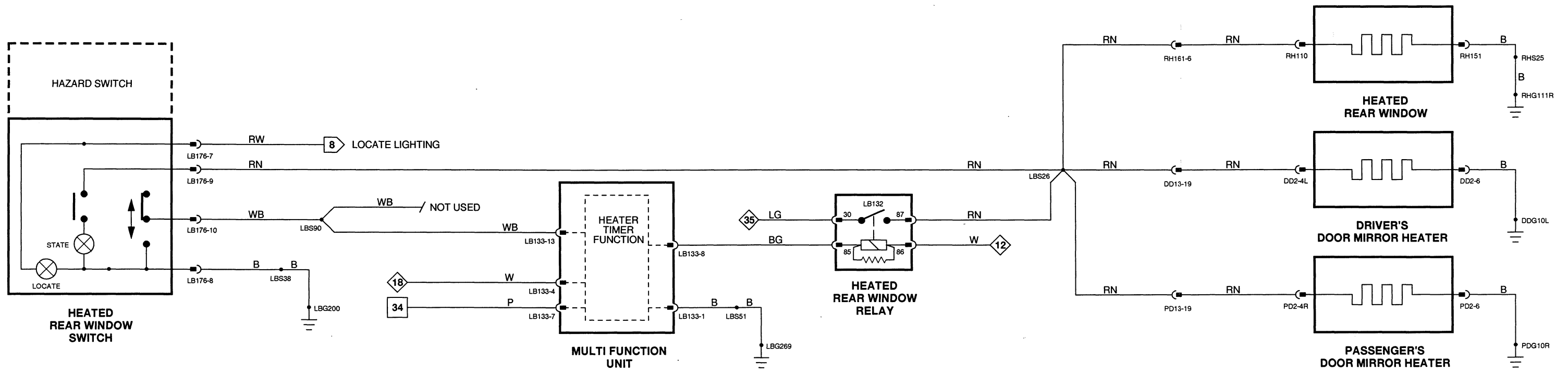
CODE	DESCRIPTION	LOCATION / INTERFACE
DHG10L	EYELET	LEFT DOOR BELOW MIRROR / POWER GROUND
LBG200	EYELET	LEFT 'A' POST FASCIA END PANEL / POWER GROUND
LBG269	EYELET	RIGHT 'A' POST FASCIA END PANEL / POWER GROUND
PHG10R	EYELET	RIGHT DOOR BELOW MIRROR / POWER GROUND
RHG111R	EYELET	LEFT REAR INNER WHEEL ARCH / POWER GROUND

## INPUTS / OUTPUTS

### MULTI FUNCTION UNIT

CODE	IN / OUT	CIRCUIT	ACTIVE	INACTIVE
LB133-1	INPUT	POWER GROUND	GROUND	GROUND
LB133-4	INPUT	IGNITION SWITCHED POWER	KEY ON: 12V	KEY OFF: OPEN CIRCUIT
LB133-7	INPUT	BATTERY POWER	12V	12V
LB133-8	OUTPUT	HEATED REAR WINDOW RELAY	HEATER ON: GROUND	HEATER OFF: 12V
LB133-13	INPUT	HEATED REAR WINDOW SWITCH	SWITCH PRESSED: GROUND	SWITCH RELEASED: 12V





□ BATTERY POWER (FIG 1)

◇ IGNITION POWER (FIG 2)

▭ FIG NUMBER REFERENCE

# FIG 19 DATA

## COMPONENTS

DESCRIPTION	LOCATION	ACCESS
AMBIENT TEMPERATURE SENSOR	IN FRONT OF A/C CONDENSER, RIGHT	BELOW FRONT BUMPER
ENGINE BREATHER HEATER	INTAKE ELBOW CRANKCASE BREATHER TUBE	ENGINE COMPARTMENT
HEADLIGHT WASHER HEATER — LEFT	HEADLIGHT WASHER JET	LEFT FRONT BUMPER
HEADLIGHT WASHER HEATER — RIGHT	HEADLIGHT WASHER JET	RIGHT FRONT BUMPER
WIPER SWITCH	RIGHT STEERING COLUMN	REMOVE COLUMN TRIM
WIPER LOGIC MODULE	BEHIND RIGHT COMPONENT PANEL	RIGHT UNDER DASH PANEL
WIPER MOTOR UNIT	FRONT PLENUM	REMOVE COWL
WASHER PUMPS	RIGHT FRONT INNER FENDER	INNER FENDER TRIM

## CONNECTORS

CODE	DESCRIPTION	LOCATION / INTERFACE
CS1	20-WAY SUMITOMO BLOCK (WHITE)	ADJACENT TO STEERING COLUMN / COLUMN SWITCH GEAR HARNESS
CS4	4-WAY SUMITOMO STD. (RED)	STEERING COLUMN ABOVE IGNITION SWITCH / WIPER SWITCH
CS13	.250 BLADE (WHITE)	STEERING COLUMN ABOVE IGNITION SWITCH / WIPER SWITCH: FLICK
CS14	.250 BLADE (WHITE)	STEERING COLUMN ABOVE IGNITION SWITCH / WIPER SWITCH: FAST
CS15	.250 BLADE (WHITE)	STEERING COLUMN ABOVE IGNITION SWITCH / WIPER SWITCH: FLICK
CS16	.250 BLADE (WHITE)	STEERING COLUMN ABOVE IGNITION SWITCH / WIPER SWITCH: DELAY
CS17	.250 BLADE (WHITE)	STEERING COLUMN ABOVE IGNITION SWITCH / WIPER SWITCH: NORMAL
LB148	16-WAY SUMITOMO BLOCK (WHITE)	BEHIND RIGHT 'A' POST / WIPER LOGIC MODULE
LB149	THREADED 12-WAY AMP (BLACK)	BELOW WIPER PLENUM / WIPER MOTOR
LF1	16-WAY SUMITOMO BLOCK (RED)	LOWER LEFT 'A' POST / LEFT FRONT HARNESS
LF2	13-WAY SUMITOMO BLOCK (WHITE)	LOWER LEFT 'A' POST / LEFT FRONT HARNESS
LF17	3-WAY PM 5 (BROWN)	FRONT OF A/C CONDENSER, CENTER / AMBIENT TEMP. SENSOR
LF27	2-WAY SUMITOMO STD. (WHITE)	RIGHT HEADLIGHT / HEADLIGHT WASHER HEATER
LF32	2-WAY SUMITOMO STD. (WHITE)	LEFT HEADLIGHT / HEADLIGHT WASHER HEATER
LI98	2-WAY LUCAR (BLACK)	FRONT OF OIL DIPSTICK ON BREATHER TUBE / ENGINE BREATHER HEATER
LI244	20-WAY MULTILOCK 40 (WHITE)	RIGHT 'A' POST / RIGHT FORWARD HARNESS
RF1	20-WAY SUMITOMO BLOCK (RED)	RIGHT 'A' POST / RIGHT FORWARD HARNESS
RF26	4-WAY SUMITOMO SEALED (GREEN)	MOUNTING BRACKET BEHIND RF HEADLIGHT / WASHER PUMP

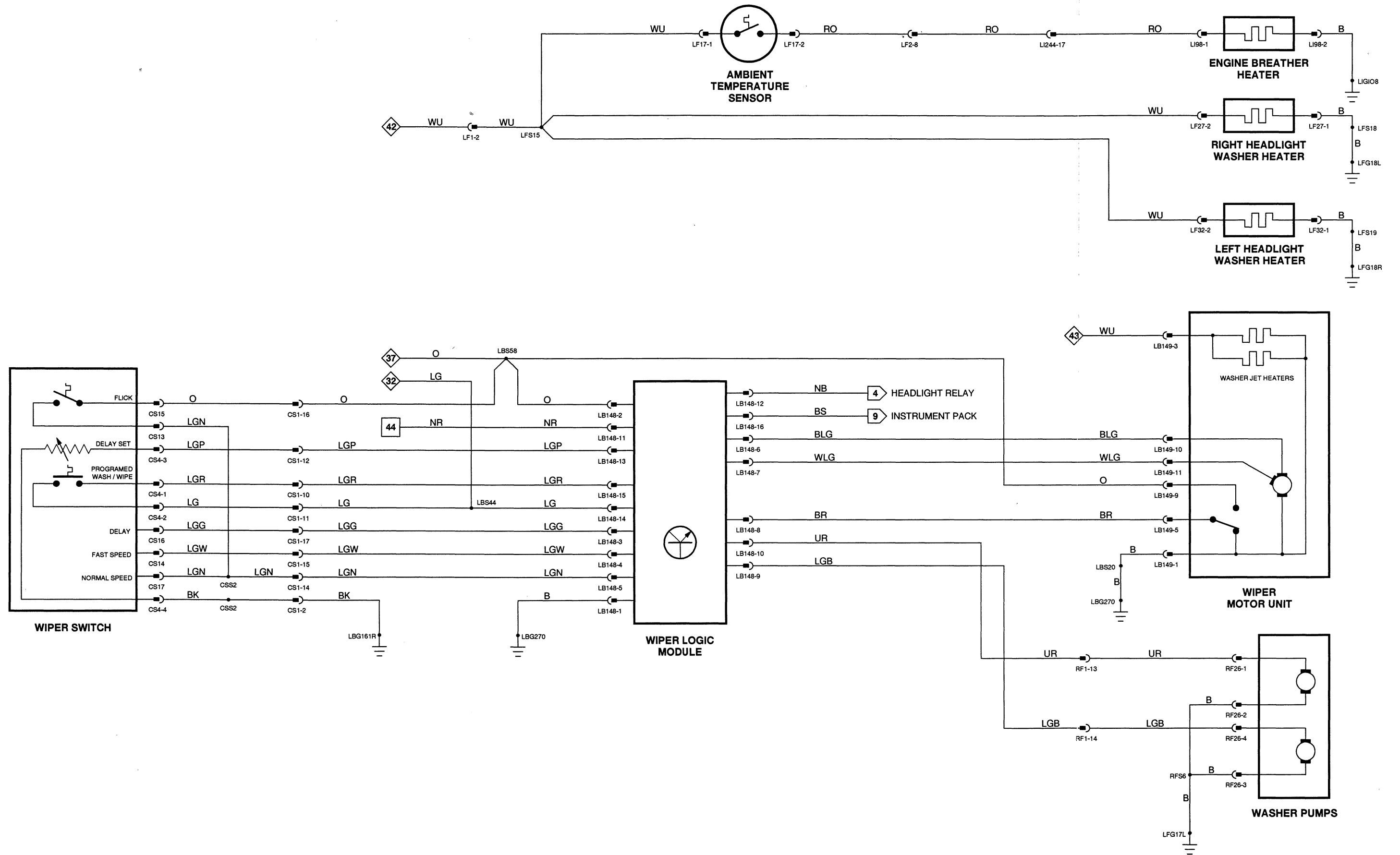
## GROUND

CODE	DESCRIPTION	LOCATION / INTERFACE
LBG161R	EYELET	LEFT TRANSMISSION TUNNEL, ADJACENT TO DASH SUPPORT / LOGIC GROUND
LBG270	EYELET	RIGHT 'A' POST FASCIA END POST / POWER GROUND
LFG17L	EYELET	LEFT FRONT BULKHEAD, ENGINE COMPARTMENT / POWER GROUND
LFG18L	EYELET	LEFT FRONT BULKHEAD, ENGINE COMPARTMENT / POWER GROUND
LFG18R	EYELET	RIGHT FRONT BULKHEAD, ENGINE COMPARTMENT / POWER GROUND
LFG108	EYELET	LEFT FRONT BULKHEAD, ENGINE COMPARTMENT / POWER GROUND

## INPUTS / OUTPUTS

### WIPER LOGIC UNIT

CODE	IN / OUT	CIRCUIT	ACTIVE	INACTIVE
LB148-1	INPUT	LOGIC GROUND	GROUND	GROUND
LB148-2	INPUT	IGNITION SWITCHED POWER	12V	0V
LB148-3	INPUT	WINDSHIELD WIPER DELAY	12V	0V
LB148-4	INPUT	WINDSHIELD WIPER FAST SPEED	12V	0V
LB148-5	INPUT	WINDSHIELD WIPER NORMAL SPEED	12V	0V
LB148-6	OUTPUT	WINDSHIELD WIPER MOTOR NORMAL	12V	0V
LB148-7	OUTPUT	WINDSHIELD WIPER MOTOR FAST	12V	0V
LB148-8	INPUT	WINDSHIELD WIPER PARK	GROUND	12V
LB148-9	OUTPUT	WINDSHIELD WASHER PUMP	12V	OPEN CIRCUIT
LB148-10	OUTPUT	HEADLIGHT WASHER PUMP	12V	OPEN CIRCUIT
LB148-11	INPUT	BATTERY POWER	12V	12V
LB148-12	INPUT	HEADLIGHT RELAY	GROUND	12V
LB148-13	INPUT	DELAY SET	MIN. DELAY: 0.2V	MAX. DELAY: 10.5V
LB148-14	INPUT	IGNITION SWITCHED POWER	12V	0V
LB148-15	INPUT	WINDSHIELD PROGRAM WIPE	12V	OPEN CIRCUIT
LB148-16	INPUT	LOW WASHER FLUID	12V	OPEN CIRCUIT



BATTERY POWER (FIG 1)

IGNITION POWER (FIG 2)

FIG NUMBER REFERENCE

# FIG 20 DATA

## COMPONENTS

DESCRIPTION	LOCATION	ACCESS
ABS DIAGNOSTIC CONNECTOR	LEFT REAR TRUNK WHEEL ARCH	TRUNK TRIM
ABS MAIN VALVE	FRONT OF BRAKE ACTUATOR UNIT	ENGINE COMPARTMENT,
ABS PUMP	RIGHT FRONT BULKHEAD	ENGINE COMPARTMENT
ABS RESERVOIR	TOP OF BRAKE ACTUATOR UNIT	ENGINE COMPARTMENT,
ABS VALVE BLOCK	SIDE OF BRAKE ACTUATOR UNIT	ENGINE COMPARTMENT,
BRAKE (ABS) CONTROL MODULE	LEFT REAR TRUNK WHEEL ARCH	TRUNK TRIM
COMBINED PRESSURE SWITCH	BRAKE PUMP UNIT	ENGINE COMPARTMENT
DIODE — ABD2	BEHIND BRAKE FLUID RESERVOIR	ENGINE COMPARTMENT
DIODE — ABD1	6" BELOW BRAKE (ABS) CONTROL MODULE IN HARNESS	LEFT TRUNK TRIM
DIODE — LBD6	6" BELOW PUMP RELAY	RIGHT UNDER DASH PANEL
DIODE — LBD7	6" BELOW PUMP RELAY	RIGHT UNDER DASH PANEL
RELAY — ABS MAIN (AB16)	LEFT REAR TRUNK WHEEL ARCH	TRUNK TRIM
RELAY — ABS PUMP (LB144)	RIGHT COMPONENT PANEL	RIGHT UNDER DASH PANEL
WHEEL SPEED SENSORS	EACH WHEEL ASSEMBLY	BENEATH VEHICLE

## CONNECTORS

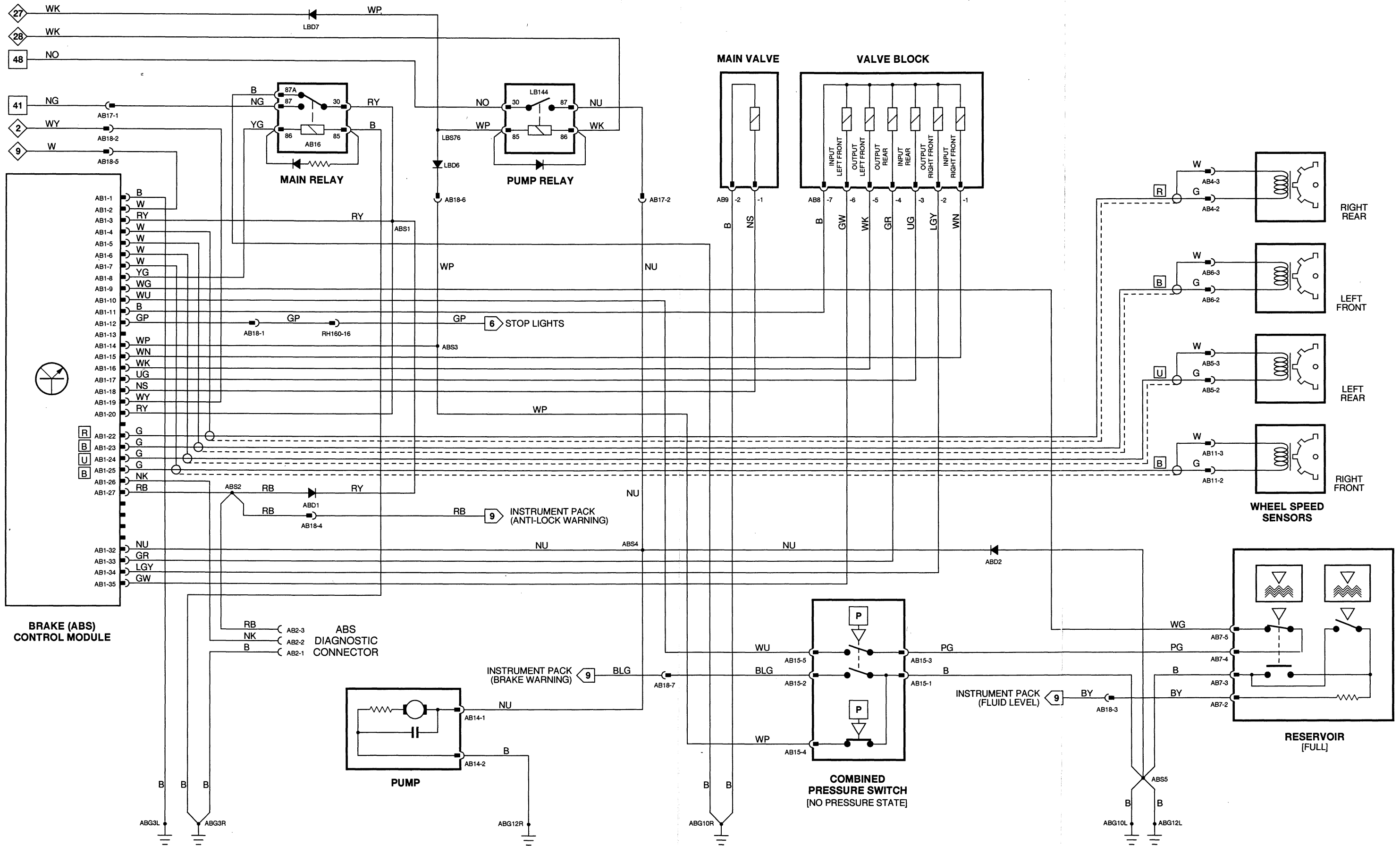
CODE	DESCRIPTION	LOCATION / INTERFACE
AB1	35-WAY ECM CONNECTOR (BLACK)	TRUNK, LEFT WHEEL ARCH / BRAKE (ABS) CONTROL MODULE
AB2	4-WAY MULTILOCK 70 (WHITE)	TRUNK, LEFT WHEEL ARCH / ABS DIAGNOSTIC CONNECTOR
AB4	2-WAY ECONOSEAL (BLACK)	BELOW REAR SEAT RH SIDE (LUGGAGE LOCKER, CONV.) / RIGHT REAR WHEEL SENSOR
AB5	2-WAY ECONOSEAL (BLACK)	BELOW REAR SEAT LH SIDE (LUGGAGE LOCKER, CONV.) / LEFT REAR WHEEL SENSOR
AB6	2-WAY ECONOSEAL (BLACK)	LEFT FRONT INNER FENDER / LEFT FRONT WHEEL SENSOR
AB7	5-WAY LUCAR (BLACK)	LEFT FRONT BULKHEAD / ABS RESERVOIR
AB8	7-WAY LUCAR (BLACK)	LEFT FRONT BULKHEAD / ABS VALVE BLOCK
AB9	2-WAY LUCAR (BLACK)	FRONT OF ACTUATOR / ABS MAIN VALVE
AB11	2-WAY ECONOSEAL (BLACK)	RIGHT FRONT INNER FENDER / RIGHT FRONT WHEEL SENSOR
AB14	2-WAY LUCAR (BLACK)	RIGHT FRONT BULKHEAD / ABS PUMP
AB15	5-WAY LUCAR (BLUE)	RIGHT FRONT BULKHEAD / COMBINED PRESSURE SWITCH
AB16	RELAY BASE (BLACK)	LEFT REAR WHEEL ARCH / ABS MAIN RELAY
AB17	3-WAY AMP POWER BLOCK	BELOW LEFT A/C OUTLET / ABS PUMP AND CONTROL MODULE SUPPLY
AB18	8-WAY SUMITOMO STD. (RED)	BELOW LEFT A/C OUTLET / ABS HARNESS
LB144	RELAY BASE (YELLOW)	RIGHT COMPONENT PANEL / ABS PUMP RELAY
RH160	24-WAY SUMITOMO BLOCK (WHITE)	BELOW LOWER LEFT A/C OUTLET / REARWARD HARNESS

## GROUND

CODE	DESCRIPTION	LOCATION / INTERFACE
ABG3L	EYELET	LEFT REAR WHEEL ARCH / POWER GROUND
ABG3R	EYELET	LEFT REAR WHEEL ARCH / POWER GROUND
ABG10L	EYELET	LEFT BULKHEAD GROUND STUD, ENGINE COMPARTMENT / POWER GROUND
ABG10R	EYELET	LEFT BULKHEAD GROUND STUD, ENGINE COMPARTMENT / POWER GROUND
ABG12L	EYELET	LEFT BULKHEAD GROUND STUD, ENGINE COMPARTMENT / POWER GROUND
ABG12R	EYELET	LEFT BULKHEAD GROUND STUD, ENGINE COMPARTMENT / POWER GROUND

## INPUTS / OUTPUTS

BRAKE (ABS) CONTROL MODULE			ACTIVE	INACTIVE
CODE	IN / OUT	CIRCUIT		
AB1-1	INPUT	POWER GROUND	GROUND	GROUND
AB1-2	INPUT	IGNITION SWITCHED POWER	12V	0V
AB1-3	INPUT	ABS MAIN RELAY	12V	0V
AB1-4	OUTPUT	RR WHEEL SPEED SENSOR SCREEN	GROUND	GROUND
AB1-5	OUTPUT	LF WHEEL SPEED SENSOR SCREEN	GROUND	GROUND
AB1-6	OUTPUT	LR WHEEL SPEED SENSOR SCREEN	GROUND	GROUND
AB1-7	OUTPUT	RF WHEEL SPEED SENSOR SCREEN	GROUND	GROUND
AB1-8	OUTPUT	ABS MAIN RELAY	12V	0V
AB1-9	OUTPUT	FLUID RESERVOIR FULL SWITCH	5V	0V
AB1-10	INPUT	MPU COMBINED PRESSURE SWITCH	5V	0V
AB1-11	INPUT	ABS ACTUATOR VALVE BLOCK	GROUND	GROUND
AB1-12	INPUT	STOP LIGHT RELAY	GROUND	12V
AB1-13	NOT USED			
AB1-14	INPUT	ABS MOTOR PUMP UNIT RELAY	GROUND	12V
AB1-15	OUTPUT	INLET VALVE, RIGHT FRONT	12V	0V
AB1-16	OUTPUT	OUTLET VALVE, LEFT FRONT	12V	0V
AB1-17	OUTPUT	INLET VALVE, REAR	12V	0V
AB1-18	OUTPUT	ABS MAIN VALVE	12V	0V
AB1-19	INPUT	IGNITION SWITCHED POWER	12V	0V
AB1-20	INPUT	ABS MAIN RELAY	12V	GROUND
AB1-22	INPUT	RR WHEEL SPEED SENSOR	PULSED AC VOLTAGE	0V
AB1-23	INPUT	LF WHEEL SPEED SENSOR	PULSED AC VOLTAGE	0V
AB1-24	INPUT	LR WHEEL SPEED SENSOR	PULSED AC VOLTAGE	0V
AB1-25	INPUT	RF WHEEL SPEED SENSOR	PULSED AC VOLTAGE	0V
AB1-26	OUTPUT	DIAGNOSTIC SOCKET	—	—
AB1-27	OUTPUT	DIAGNOSTIC SOCKET	—	—
AB1-32	INPUT	MOTOR PUMP UNIT	12V	0V
AB1-33	OUTPUT	OUTLET VALVE, REAR	12V	0V
AB1-34	OUTPUT	OUTLET VALVE, RIGHT FRONT	12V	0V
AB1-35	OUTPUT	INLET VALVE, LEFT FRONT	12V	0V



□ BATTERY POWER (FIG 1)

◇ IGNITION POWER (FIG 2)

○ FIG NUMBER REFERENCE

# FIG 21 DATA

## COMPONENTS

DESCRIPTION	LOCATION	ACCESS
BRAKE SWITCH	ABOVE BRAKE PEDAL	LEFT UNDER DASH PANEL
CONTROL VALVE	LEFT FRONT INNER FENDER	ENGINE COMPARTMENT
CRUISE CONTROL MODULE	FRONT OF PASSENGER'S SEAT	FOOTWELL COVER
CRUISE CONTROL MASTER SWITCH	CENTER CONSOLE	REMOVE TRIM
CRUISE CONTROL RESUME SWITCH	LIGHTING AND TURN SIGNAL SWITCH	STEERING COLUMN TRIM
DIODE — LFD1	LEFT FRONT INNER FENDER BELOW HOOD STRUT	ENGINE COMPARTMENT
DUMP VALVE	LEFT FRONT INNER FENDER	ENGINE COMPARTMENT
GEAR SELECTOR SWITCH (A4 ONLY)	GEAR SHIFT LINKAGE	CENTER CONSOLE
SPEED INTERFACE UNIT	TRUNK BEHIND LEFT GAS STRUT SUPPORT	TRUNK TRIM
SPEED SENSOR	DIFFERENTIAL COVER	BENEATH VEHICLE
STOP LIGHT SWITCH	BRAKE PEDAL	LEFT UNDER DASH

## CONNECTORS

CODE	DESCRIPTION	LOCATION / INTERFACE
CC1	6-WAY AMP SOCKET (WHITE)	CENTER CONSOLE / CRUISE CONTROL MASTER SWITCH
CC2	20-WAY AMP PCB POWER (BLACK)	FRONT OF PASSENGER'S SEAT / CRUISE CONTROL MODULE
CC3	13-WAY SUMITOMO BLOCK (RED)	BELOW LEFT LOWER A/C OUTLET / CRUISE CONTROL HARNESS
CS1	20-WAY SUMITOMO BLOCK (WHITE)	ADJACENT TO STEERING COLUMN / COLUMN SWITCH GEAR HARNESS
CS2	6-WAY SUMITOMO STD. (WHITE)	ABOVE TURN SIGNAL SWITCH / RESUME (LIGHTING AND TURN SIGNAL) SWITCH
GH1	.250 BLADE (WHITE)	GEAR SELECTOR LINKAGE / GEAR SELECTOR SWITCH
GH9	16-WAY SUMITOMO BLOCK (BLACK)	BELOW LOWER RIGHT A/C OUTLET / GEARBOX HARNESS
LB167	4-WAY SUMITOMO STD. (RED)	BRAKE PEDAL / STOP LIGHT SWITCH
LF1	16-WAY SUMITOMO BLOCK (RED)	LOWER LEFT 'A' POST / LEFT FRONT HARNESS
LF2	13-WAY SUMITOMO BLOCK (WHITE)	LOWER LEFT 'A' POST / LEFT FRONT HARNESS
LF13	3-WAY PM 5 (BLACK)	LEFT FRONT INNER FENDER / DUMP VALVE
LF16	3-WAY AMP SOCKET (BLACK)	LEFT FRONT INNER FENDER / PUMP, CONTROL VALVE UNIT
RH114	4-WAY MULTILOCK 40 (BLACK)	BEHIND LEFT TRUNK LID GAS STRUT SUPPORT / SPEED INTERFACE UNIT
RH161	20-WAY SUMITOMO BLOCK (RED)	BELOW LOWER LEFT A/C OUTLET / REARWARD HARNESS

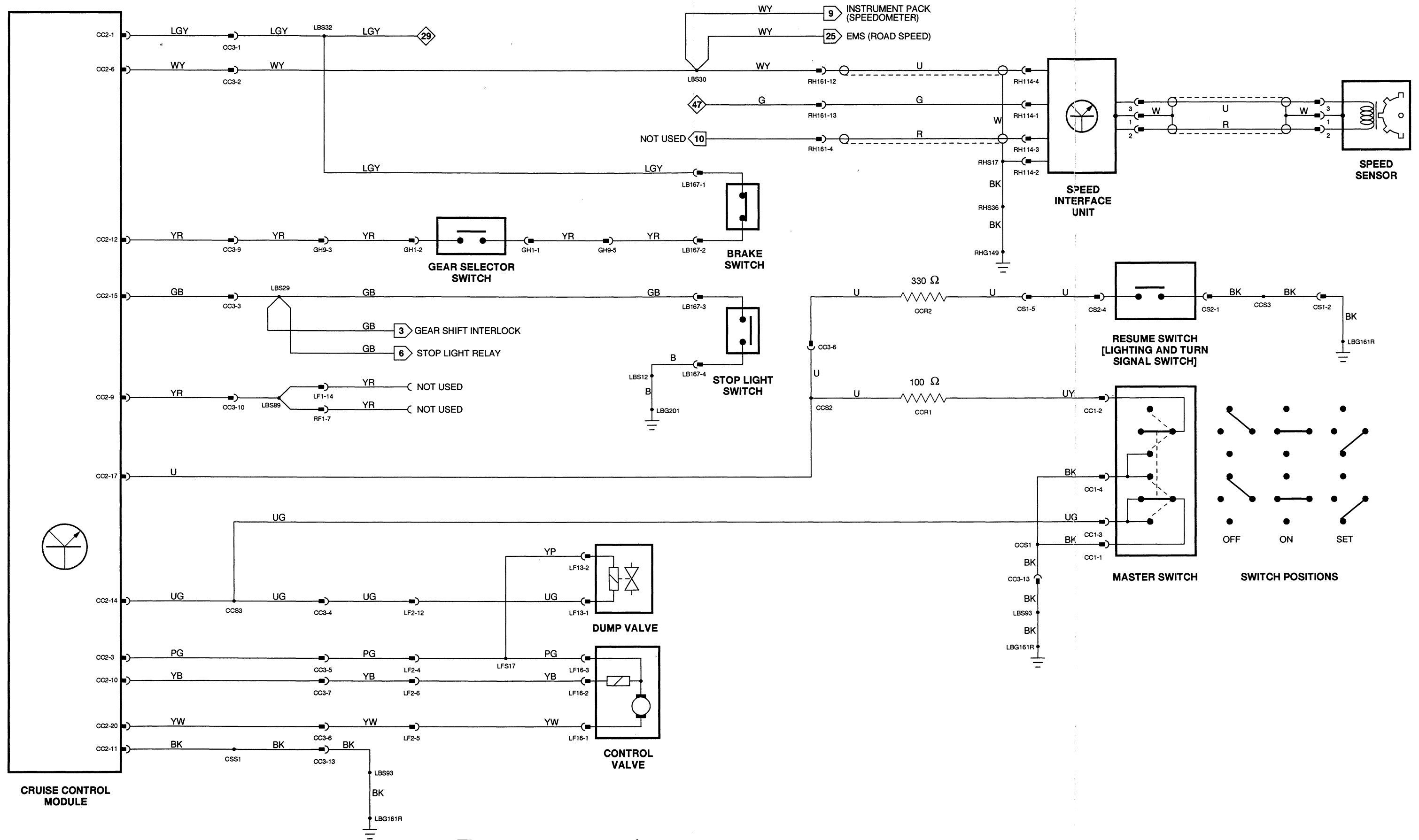
## GROUNDS

CODE	DESCRIPTION	LOCATION / INTERFACE
LBG161L	EYELET	LEFT TRANSMISSION TUNNEL ADJACENT TO DASH SUPPORT / LOGIC GROUND
LBG161R	EYELET	LEFT TRANSMISSION TUNNEL ADJACENT TO DASH SUPPORT / LOGIC GROUND
LBG201	EYELET	LEFT 'A' POST FASCIA END PANEL / POWER GROUND
LFG14L	EYELET	TOP LEFT RADIATOR SUPPORT MOUNT / POWER GROUND
RHG149	EYELET	LEFT TRANSMISSION TUNNEL ADJACENT TO DASH SUPPORT / LOGIC GROUND

## INPUTS / OUTPUTS

### CRUISE CONTROL MODULE

CODE	IN / OUT	CIRCUIT	ACTIVE	INACTIVE
CC2-1	INPUT	IGNITION SWITCHED POWER	12V	0V
CC2-3	OUTPUT	CRUISE CONTROL VALVES / PUMP	CRUISE ON: 12V	CRUISE OFF: 0V
CC2-6	INPUT	ROAD SPEED INPUT	AC VOLTS INCREASE W/ROAD SPEED	LESS THAN 1V
CC2-9	NOT USED (MANUAL TRANSMISSION ONLY)			
CC2-10	OUTPUT	CRUISE VACUUM DUTY CYCLE VALVE		SYSTEM ON: 12V
CC2-11	INPUT	POWER GROUND	SYSTEM ON: GROUND	GROUND
CC2-12	INPUT	BRAKE/GEAR SELECT SWITCH	"D", "2", "1": 12V	"P", "R", "N": 0V
CC2-14	OUTPUT	CRUISE DUMP VALVE	VALVE CLOSED: APPROX. 0.5V	VALVE OPEN: 12V
CC2-15	INPUT	STOP LIGHT SWITCH	BRAKE ON: GROUND	12V
CC2-17	INPUT	CRUISE "SET", "RESUME"	"SET" PRESSED: 100Ω, "RESUME" PRESSED: 300Ω	OPEN CIRCUIT
CC2-20	INPUT	CRUISE VACUUM CONTROL PUMP	GROUND	OPEN CIRCUIT



BATTERY POWER (FIG 1)

IGNITION POWER (FIG 2)

FIG NUMBER REFERENCE

# FIG 22 DATA

## COMPONENTS

DESCRIPTION	LOCATION	ACCESS
ANTENNA	RIGHT REAR TRUNK	RIGHT TRUNK TRIM
ANTENNA OVERRIDE DIODE	6" BELOW ANTENNA MONITOR IN HARNESS	RIGHT TRUNK TRIM
CD AUTO CHANGER	TRUNK	LEFT TRUNK TRIM
CD HEAD UNIT	CENTER CONSOLE	—
RADIO	CENTER CONSOLE	—
SPEAKERS — FRONT	LOW ON FRONT DOOR PANEL	—
SPEAKERS — REAR	REAR QUARTER WINDOW TRIM / ARMREST	—
TRUNK LIGHT SWITCH	ADJACENT TO TRUNK LOCK ASSEMBLY	TRUNK LOCK TRIM

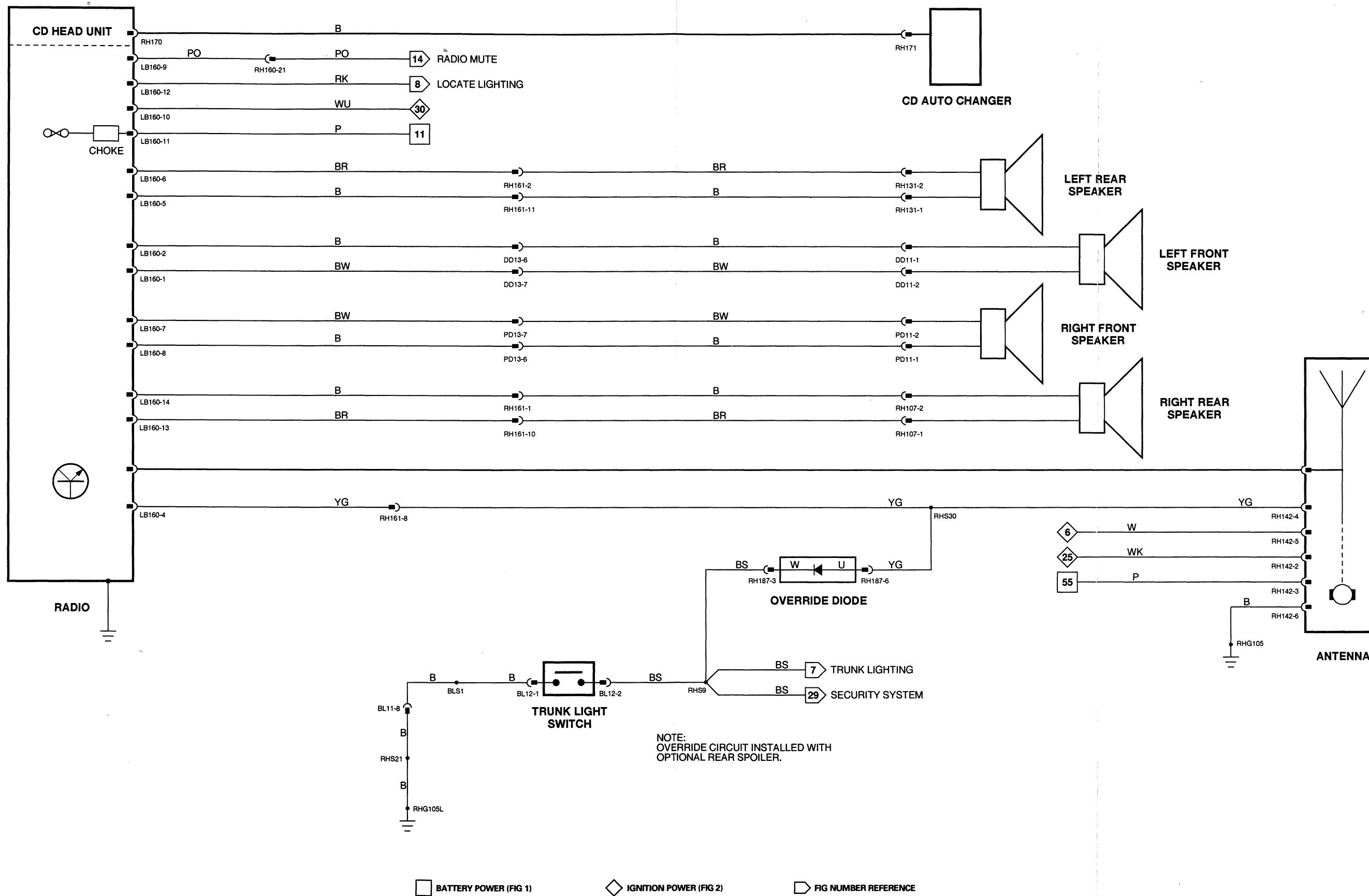
## CONNECTORS

CODE	DESCRIPTION	LOCATION / INTERFACE
BL11	8-WAY SUMITOMO BLACK (WHITE)	TOP RIGHT OF FUEL TANK BEHIND TRIM / TRUNK LIGHT SWITCH
BL12	GROTE AND HARTMAN (BLACK)	ADJACENT TO TRUNK LOCK / TRUNK LIGHT SWITCH
DD11	.250 BLADE (BLACK)	BELOW LEFT DOOR MIRROR / LEFT FRONT SPEAKER
DD13	20-WAY SUMITOMO BLOCK (BLACK)	LEFT 'A' POST / DRIVER'S DOOR HARNESS
LB160	14-WAY MULTILOCK 70 (WHITE)	BEHIND RADIO / RADIO CONNECTOR
PD11	.250 BLADE (BLACK)	BELOW RIGHT DOOR MIRROR / RIGHT FRONT SPEAKER
PD13	20-WAY SUMITOMO BLOCK (BLACK)	RIGHT 'A' POST / PASSENGER'S DOOR HARNESS
RH107	.250 BLADE (BLACK) — COUPE PM 5 (GREEN) — CONV.	RIGHT REAR QUARTER TRIM / RIGHT REAR SPEAKER
RH131	.250 BLADE (BLACK) — COUPE PM 5 (GREEN) — CONV.	LEFT REAR QUARTER TRIM / LEFT REAR SPEAKER
RH142	6-WAY YAZAKI (WHITE)	RIGHT REAR TRUNK / ANTENNA MOTOR
RH161	20-WAY SUMITOMO BLOCK (RED)	BELOW LOWER LEFT A/C OUTLET / REARWARD HARNESS
RH170	CD CONNECTOR (BLACK)	BEHIND RADIO HEAD UNIT / CD AUTO CHANGER DRIVE CABLE
RH171	CD CONNECTOR (WHITE)	BEHIND LEFT TRUNK TRIM PANEL / CD AUTOCHANGER
RH187	2-WAY SPADE CONNECTOR (WHITE)	6" BELOW ANTENNA MOTOR / ANTENNA MOTOR

## GROUND

CODE	DESCRIPTION	LOCATION / INTERFACE
RHG105	EYELET	RIGHT REAR INNER WHEEL ARCH / POWER GROUND
RHG105L	EYELET	RIGHT REAR INNER WHEEL ARCH / POWER GROUND





# FIG 23 DATA

## COMPONENTS

DESCRIPTION	LOCATION	ACCESS
AMBIENT TEMPERATURE SENSOR	INTAKE AIR PLENUM	AIR PLENUM
BLOWER — LEFT	LEFT BULKHEAD	LEFT UNDER DASH
BLOWER — RIGHT	RIGHT BULKHEAD	RIGHT UNDER DASH
CLIMATE CONTROL PANEL MODULE	BEHIND A/C CONTROL PANEL	A/C CONTROL PANEL
CLIMATE CONTROL MODULE	A/C UNIT, RIGHT	RIGHT UNDER DASH
CLIMATE CONTROL SOLENOID VALVE BLOCK	LOWER LEFT OF A/C UNIT	LEFT UNDER DASH PANEL
COOLANT TEMPERATURE SWITCH	LEFT HOT WATER PIPE	LEFT UNDER DASH
EVAPORATOR TEMPERATURE SENSOR	A/C UNIT, RIGHT SIDE	RIGHT UNDER DASH
FEEDBACK POTENTIOMETER — LOWER	A/C UNIT, LEFT	LEFT UNDER DASH
FEEDBACK POTENTIOMETER — UPPER	A/C UNIT, LEFT	INSTRUMENT PACK
IN-CAR TEMPERATURE SENSOR	RIGHT UNDER DASH PANEL	RIGHT UNDER DASH
MODE CONTROL SWITCH	CONTROL PANEL FAN SWITCH	TRIM
SERVO — LOWER	A/C UNIT, RIGHT	RIGHT UNDER DASH
SERVO — UPPER	A/C UNIT, RIGHT	REMOVE GLOVE BOX
TEMPERATURE DEMAND POTENTIOMETER	CONTROL PANEL	TRIM
TEMPERATURE DIFFERENTIAL POTENTIOMETER	CONTROL PANEL	TRIM

## CONNECTORS

CODE	DESCRIPTION	LOCATION / INTERFACE
AC2	15-WAY JST (WHITE)	TOP CONNECTOR ON CONTROL MODULE / CLIMATE CONTROL MODULE
AC3	15-WAY JST (WHITE)	CENTER CONNECTOR ON CONTROL MODULE / CLIMATE CONTROL MODULE
AC4	15-WAY JST (WHITE)	BOTTOM CONNECTOR ON CONTROL MODULE / CLIMATE CONTROL MODULE
AC5	4-WAY JST (BLACK)	ABOVE LEFT BLOWER MOTOR / LEFT BLOWER MOTOR
AC6	7-WAY JST (BLACK)	ABOVE RIGHT BLOWER MOTOR / RIGHT BLOWER MOTOR
AC7	6-WAY SUMITOMO STD. (WHITE)	RIGHT UNDER DASH PANEL / IN-CAR TEMPERATURE SENSOR
AC9	3-WAY JST (BLACK)	A/C UNIT, RIGHT / EVAPORATOR TEMPERATURE SENSOR
AC10	3-WAY JST (BLACK)	A/C UNIT, LEFT / UPPER FEEDBACK POT.
AC11	3-WAY JST (BLACK)	A/C UNIT, LEFT / LOWER FEEDBACK POT.
AC12	3-WAY JST (BLACK)	A/C UNIT, LEFT / LOWER SERVO MOTOR
AC13	3-WAY JST (BLACK)	A/C UNIT, LEFT / UPPER SERVO MOTOR
AC14	SPADE	A/C UNIT, LEFT / COOLANT TEMPERATURE SWITCH
AC15	SPADE	A/C UNIT, LEFT / COOLANT TEMPERATURE SWITCH
AC28	5-WAY JST (BLACK)	A/C UNIT, LEFT / TEMPERATURE DEMAND POT.
AC29	8-WAY JST (WHITE)	A/C UNIT, RIGHT / MODE CONTROL SWITCH
AC31	3-WAY JST (WHITE)	ADJACENT TO LEFT BLOWER MOTOR / AMBIENT TEMPERATURE SENSOR
AC32	6-WAY MULTILOCK 70 (WHITE)	LOWER LEFT SIDE OF A/C UNIT / VACUUM SOLENOID VALVE BLOCK
AC33	12-WAY MULTILOCK 40 (BLACK)	BELOW LOWER RIGHT A/C OUTLET / A/C HARNESS GROUND
AC34	12-WAY MULTILOCK 40 (BLACK)	BEHIND RADIO / CONTROL PANEL MODULE
AC35	4-WAY MULTILOCK 40 (BLACK)	BEHIND RADIO / CONTROL PANEL MODULE
LB190	2-WAY PM 5	LEFT BLOWER MOTOR / BLOWER MOTOR POWER FEED
LB213	2-WAY PM 5	RIGHT BLOWER MOTOR / BLOWER MOTOR POWER FEED
LI244	20-WAY MULTILOCK 40 (WHITE)	RIGHT 'A' POST / RIGHT FORWARD HARNESS

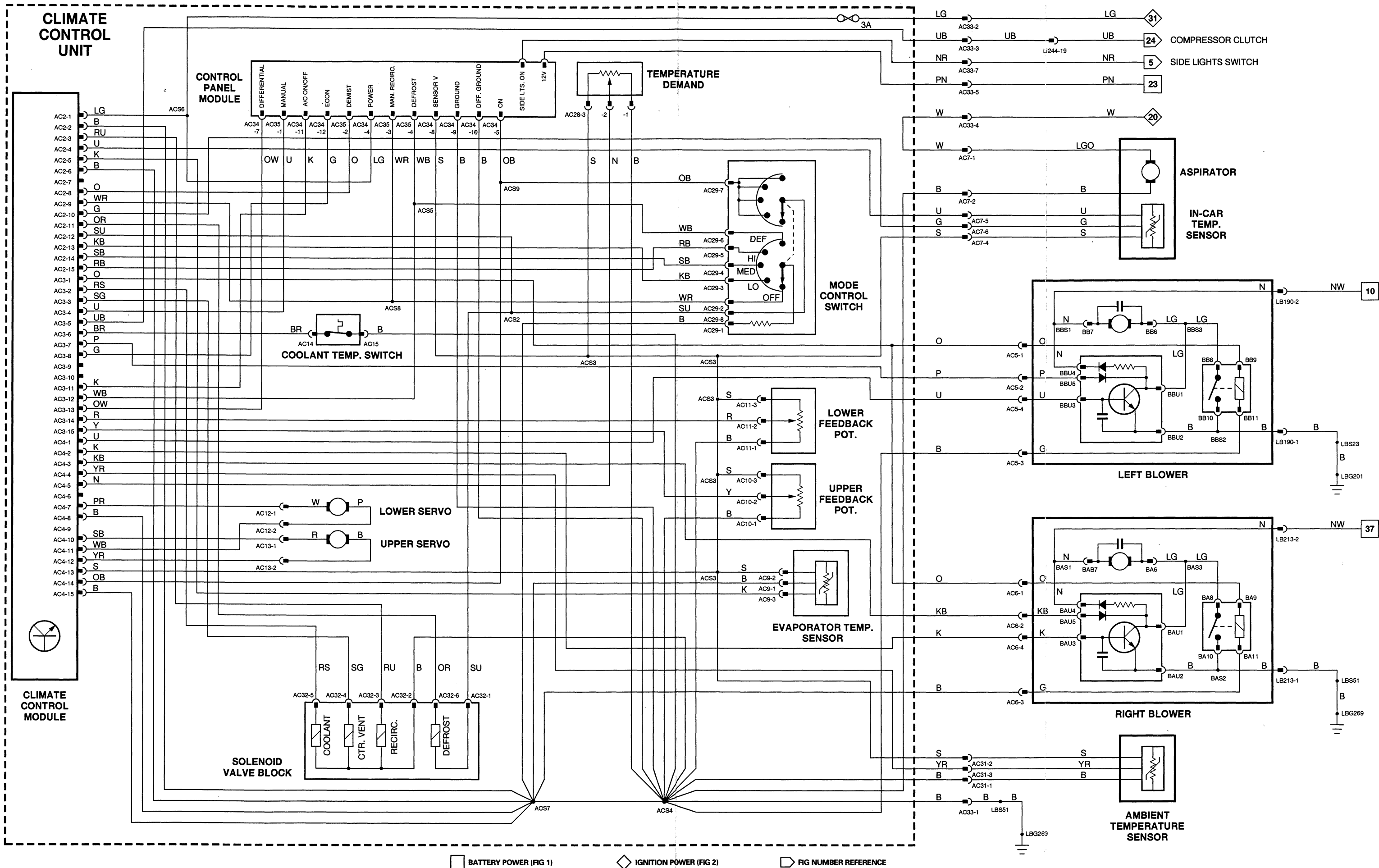
## GROUND

CODE	DESCRIPTION	LOCATION / INTERFACE
LBG201	EYELET	LEFT 'A' POST FASCIA END PANEL / POWER GROUND
LBG269	EYELET	RIGHT 'A' POST FASCIA END PANEL / POWER GROUND

## INPUTS / OUTPUTS

### CLIMATE CONTROL MODULE

CODE	IN / OUT	CIRCUIT	ACTIVE	INACTIVE
AC2-1	INPUT	IGNITION SWITCHED POWER	12V	0V
AC2-2	INPUT	POWER GROUND	GROUND	GROUND
AC2-3	OUTPUT	RECIRCULATION VACUUM SOLENOID	12V	0V
AC2-4	INPUT	IN-CAR TEMP. SENSOR	SYSTEM ON: 2.73V @0°C	SYSTEM OFF: 0V
AC2-5	INPUT	EVAPORATOR TEMP. SENSOR	SYSTEM ON: 2.73V @0°C	SYSTEM OFF: 0V
AC2-6	INPUT	POWER GROUND	GROUND	GROUND
AC2-7	NOT USED			
AC2-8	NOT USED			
AC2-9	INPUT	MODE CONTROL SWITCH	GROUND	4V
AC2-10	INPUT	IN-CAR TEMP. SENSOR GROUND	GROUND	GROUND
AC2-11	INPUT	DEFROST VACUUM SOLENOID	12V	GROUND
AC2-12	OUTPUT	DEFROST SOLENOID / MODE SWITCH	12V	12V
AC2-13	INPUT	MODE SWITCH — LOW	GROUND	4V
AC2-14	INPUT	MODE SWITCH — MED.	GROUND	4V
AC2-15	INPUT	MODE SWITCH — HIGH	GROUND	4V
AC3-1	OUTPUT	HIGH SPEED BLOWER MOTOR RELAYS	10V	0V
AC3-2	OUTPUT	COOLANT VALVE VACUUM SOLENOID	CLOSED: 12V	OPEN: 0V
AC3-3	OUTPUT	CENTER VENT VACUUM SOLENOID	OPEN: 12V	CLOSED: 0V
AC3-4	INPUT	MANUAL MODE SWITCH	ON: GROUND	OFF: 4V
AC3-5	OUTPUT	COMPRESSOR CLUTCH RELAY	12V	0V
AC3-6	INPUT	COOLANT TEMP. SWITCH	ABOVE 40°C: 5V	BELOW 40°C: 0V
AC3-7	INPUT	LEFT BLOWER MOTOR FEEDBACK	LOW: 5V, MED: 2V, HIGH: 1V	
AC3-8	NOT USED			
AC3-9	INPUT	POWER GROUND	GROUND	GROUND
AC3-10	NOT USED			
AC3-11	NOT USED			
AC3-12	INPUT	MODE SWITCH — DEFROST	GROUND	4V
AC3-13	INPUT	TEMPERATURE DIFFERENTIAL POTENTIOMETER	COOL: 2.885V	WARM: 0V
AC3-14	INPUT	LOWER FEEDBACK POTENTIOMETER	FULL COOL: 0.1V, FULL HOT: 1.2V, DEFROST: 2.9V	
AC3-15	INPUT	UPPER FEEDBACK POTENTIOMETER	FULL COOL: 0.2V, FULL HOT: 1.9V, DEFROST: 1.9V	
AC4-1	OUTPUT	LEFT BLOWER MOTOR POWER TRANSISTOR	LOW: 1-2V, NORM: INCREASE, HIGH: APPROX. 1V	
AC4-2	OUTPUT	RIGHT BLOWER MOTOR POWER TRANSISTOR	LOW: 1-2V, NORMAL: INCREASE, HIGH: APPROX. 1V	
AC4-3	INPUT	RIGHT BLOWER MOTOR FEEDBACK	LOW: 5V, MED: 2V, HIGH: 1V	
AC4-4	INPUT	AMBIENT TEMP. SENSOR	SYSTEM ON: 2.93V @0°C	SYSTEM OFF: 0V
AC4-5	INPUT	TEMPERATURE DEMAND POTENTIOMETER	FULL COOL: 0V	FULL HOT: 2.885V
AC4-6	NOT USED			
AC4-7	OUTPUT	LOWER SERVO	DRIVE: 7V	NO DRIVE: 0V
AC4-8	INPUT	POWER GROUND	GROUND	GROUND
AC4-9	NOT USED			
AC4-10	OUTPUT	UPPER SERVO	DRIVE: 7V	NO DRIVE: 0V
AC4-11	OUTPUT	LOWER SERVO	DRIVE: 7V	NO DRIVE: 0V
AC4-12	OUTPUT	UPPER SERVO	DRIVE: 7V	NO DRIVE: 0V
AC4-13	OUTPUT	SENSOR REFERENCE VOLTAGE	5V	0V
AC4-14	INPUT	MODE CONTROL SWITCH	SWITCH ON: 12V	SWITCH OFF: 0V
AC4-15	INPUT	POWER GROUND	GROUND	GROUND



# FIG 24 DATA

## COMPONENTS

DESCRIPTION	LOCATION	ACCESS
AIR CONDITIONING COMPRESSOR CLUTCH	RIGHT FRONT OF ENGINE	ENGINE COMPARTMENT
COOLING FAN	BEHIND RADIATOR, RIGHT	ENGINE COMPARTMENT
DIODE — LID1	COMPRESSOR CLUTCH MOUNTING BRACKET	ENGINE COMPARTMENT
DUAL PRESSURE CUTOUT SWITCH	BELOW COOLANT RESERVOIR ON FRAME RAIL	ENGINE COMPARTMENT
ENGINE CONTROL MODULE	RIGHT FRONT FOOTWELL	FOOTWELL ACCESS COVER
RADIATOR THERMAL SWITCH	WATER PUMP INLET	ENGINE, LEFT FRONT
RELAY — COMPRESSOR CLUTCH (RF3)	RIGHT FRONT COMPONENT PANEL	ENGINE COMPARTMENT
RELAY — COOLING FAN (LF11)	LEFT FRONT COMPONENT PANEL	ENGINE COMPARTMENT

---

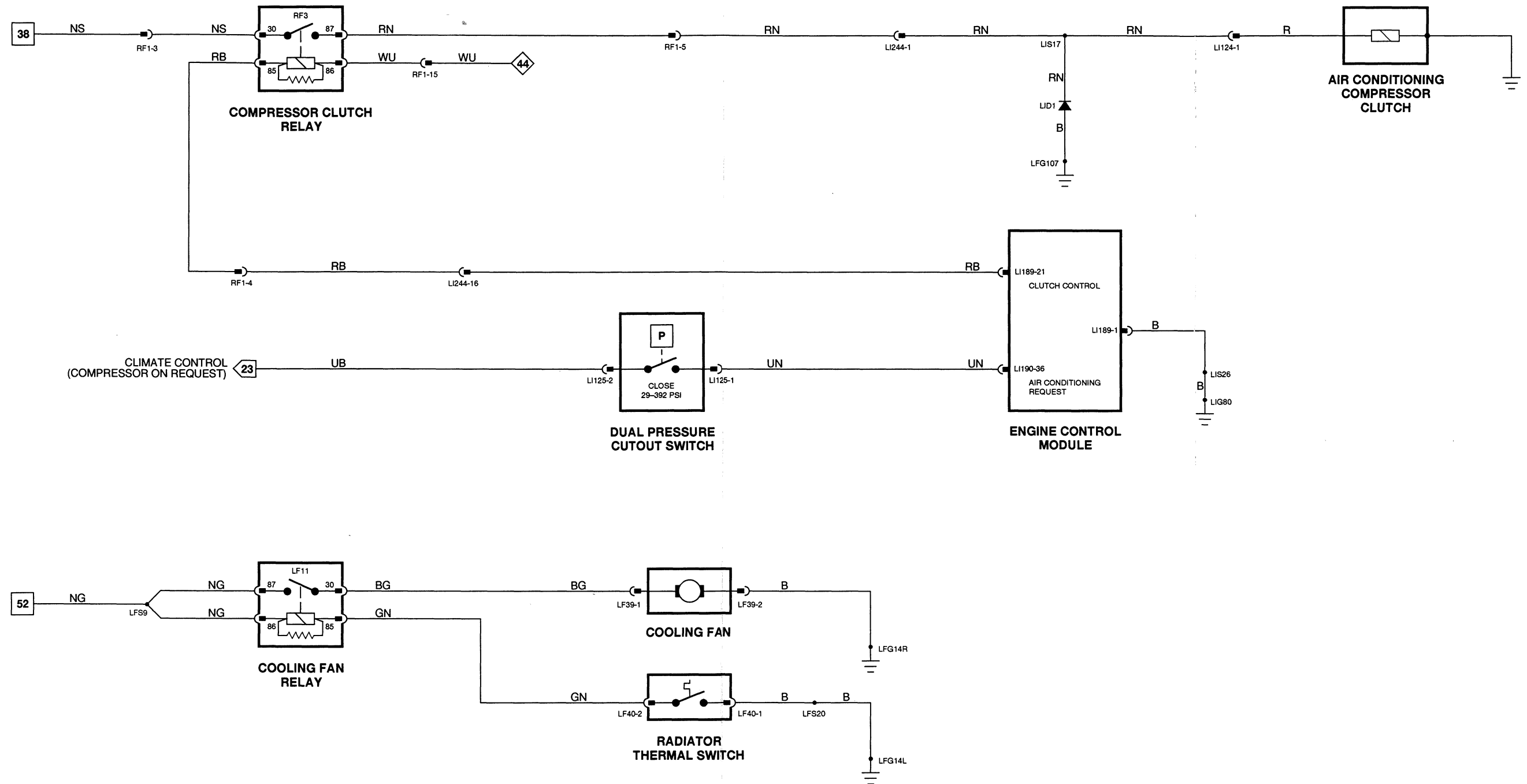
## CONNECTORS

CODE	DESCRIPTION	LOCATION / INTERFACE
LF11	RELAY BASE (BLUE)	LEFT FRONT COMPONENT PANEL / COOLING FAN RELAY
LF39	PM 5 (BLACK)	RADIATOR FAN SHROUD, LEFT / COOLING FAN
LF40	PM 5 (BLACK)	FRONT OF AIR CLEANER / RADIATOR THERMAL SWITCH
LI124	PM 5 (GREEN)	BENEATH DISTRIBUTOR / COMPRESSOR CLUTCH
LI125	2-WAY ECONOSEAL III LC (BLACK)	RIGHT FRONT FRAME RAIL / DUAL PRESSURE CUTOUT SWITCH
LI189	36-WAY ECONOSEAL III HC (BLACK)	RIGHT FRONT FOOTWELL / ENGINE CONTROL MODULE
LI190	36-WAY ECONOSEAL III LC (RED)	RIGHT FRONT FOOTWELL / ENGINE CONTROL MODULE
LI244	20-WAY MULTILOCK 40 (WHITE)	RIGHT 'A' POST / RIGHT FRONT HARNESS
RF1	20-WAY SUMITOMO (BLACK)	RIGHT 'A' POST / RIGHT FRONT HARNESS
RF3	RELAY BASE (GREEN)	RIGHT FRONT COMPONENT PANEL / A/C COMPRESSOR CLUTCH RELAY

---

## GROUNDS

CODE	DESCRIPTION	LOCATION / INTERFACE
LFG14L	EYELET	BEHIND LEFT FRONT HEADLIGHT / POWER GROUND
LFG14R	EYELET	BEHIND RIGHT FRONT HEADLIGHT / POWER GROUND
LFG107	EYELET	RIGHT FRONT BULKHEAD / POWER GROUND



□ BATTERY POWER (FIG 1)

◇ IGNITION POWER (FIG 2)

▭ FIG NUMBER REFERENCE

# FIG 25 DATA

## COMPONENTS

### DESCRIPTION

AIR PUMP AND SOLENOID VALVE  
 AIR TEMPERATURE SENSOR  
 CAMSHAFT POSITION SENSOR  
 COOLANT TEMPERATURE SENSOR  
 CRANKSHAFT POSITION SENSOR  
 DIODE — LID2  
 EGR VALVE AND POSITION SENSOR  
 EGR VALVE FUNCTION SENSOR  
 ENGINE CONTROL MODULE  
 FUEL INJECTORS  
 FUEL PUMP  
 IDLE SPEED CONTROL VALVE  
 IGNITION COILS  
 KNOCK SENSORS  
 MASS AIR FLOW SENSOR  
 OXYGEN SENSORS  
 PURGE VALVE  
 RELAY — AIR INJECTION (LI130)  
 RELAY — ECM CONTROLLED (LB292)  
 RELAY — EMS POWER (LB291)  
 RELAY — FUEL PUMP (RH173)  
 THROTTLE POSITION SENSOR

### LOCATION

LEFT FRONT OF ENGINE  
 AIR INTAKE ELBOW  
 RIGHT FRONT OF ENGINE (REPLACES DISTRIBUTOR)  
 THERMOSTAT HOUSING  
 ENGINE FRONT COVER  
 ADJACENT TO AIR PUMP  
 CENTER OF INTAKE MANIFOLD  
 CENTER OF INTAKE MANIFOLD  
 PASSENGER'S FOOTWELL  
 ALONG INTAKE MANIFOLD  
 INSIDE FUEL TANK  
 ADJACENT TO THROTTLE  
 ON EACH SPARK PLUG UNDER TRIM COVER  
 ADJACENT TO CYLINDERS 2 & 5  
 ADJACENT TO AIR INLET  
 EXHAUST DOWN PIPE  
 ENGINE COMPARTMENT BELOW AIR FILTER  
 LEFT FRONT COMPONENT PANEL  
 RIGHT COMPONENT PANEL  
 RIGHT COMPONENT PANEL  
 ABOVE RIGHT REAR WHEEL ARCH  
 BELOW THROTTLE BODY

### ACCESS

ENGINE COMPARTMENT  
 ENGINE COMPARTMENT, LEFT  
 ENGINE COMPARTMENT  
 LEFT FRONT OF CYLINDER HEAD  
 ENGINE COMPARTMENT, FRONT  
 ENGINE COMPARTMENT  
 ENGINE COMPARTMENT  
 ENGINE COMPARTMENT  
 RIGHT UNDER DASH PANEL  
 ENGINE COMPARTMENT  
 FUEL TANK  
 ENGINE COMPARTMENT  
 ENGINE UNDER DASH PANEL, TRIM COVER  
 ENGINE COMPARTMENT, ENGINE BLOCK  
 ENGINE COMPARTMENT, LEFT  
 ENGINE COMPARTMENT, RIGHT  
 ENGINE COMPARTMENT, LEFT  
 ENGINE COMPARTMENT, LEFT  
 RIGHT UNDER DASH PANEL  
 RIGHT UNDER DASH PANEL  
 RIGHT TRUNK TRIM PANEL  
 ENGINE COMPARTMENT

## CONNECTORS

### CODE

FP6 4-WAY SUMITOMO STANDARD (WHITE)  
 LB291 RELAY BASE (WHITE)  
 LB292 RELAY BASE (BLUE)  
 LF1 2-WAY SUMITOMO BLOCK (RED)  
 LF46 2-WAY AMP JUNIOR TIMER (BLACK)  
 LI84 2-WAY ECONOSEAL III LC (BLACK)  
 LI99 2-WAY LUCAR (BROWN)  
 LI100 4-WAY PACKARD (BLACK)  
 LI101 2-WAY LUCAR (BROWN)  
 LI109 3-WAY PM 5 (BLACK)  
 LI116 2-WAY AMP JUNIOR TIMER (SLATE)  
 LI117 2-WAY AMP JUNIOR TIMER (SLATE)  
 LI118 2-WAY AMP JUNIOR TIMER (SLATE)  
 LI119 2-WAY AMP JUNIOR TIMER (SLATE)  
 LI120 2-WAY AMP JUNIOR TIMER (SLATE)  
 LI121 2-WAY AMP JUNIOR TIMER (SLATE)  
 LI130 RELAY BASE (GREEN)  
 LI170 2-WAY AMP JUNIOR TIMER (BLACK)  
 LI171 2-WAY AMP JUNIOR TIMER (BLACK)  
 LI172 2-WAY AMP JUNIOR TIMER (BLACK)  
 LI173 5-WAY PACKARD METRI (BLACK)  
 LI174 3-WAY AMP JUNIOR TIMER (BLACK)  
 LI175 3-WAY AMP JUNIOR TIMER (BLACK)  
 LI177 2-WAY SUMITOMO STD. A (BROWN)  
 LI178 2-WAY SUMITOMO STD. A (BROWN)  
 LI179 2-WAY SUMITOMO STD. A (BROWN)  
 LI180 2-WAY SUMITOMO STD. A (BROWN)  
 LI181 2-WAY SUMITOMO STD. A (BROWN)  
 LI182 2-WAY SUMITOMO STD. A (BROWN)  
 LI183 4-WAY ECONOSEAL III LC (BLACK)  
 LI184 4-WAY ECONOSEAL III LC (BLACK)  
 LI185 4-WAY ECONOSEAL III LC (BLACK)  
 LI186 4-WAY ECONOSEAL III LC (BLACK)  
 LI188 3-WAY AMP JUNIOR TIMER (BLACK)  
 LI189 36-WAY ECONOSEAL III HC (BLACK)  
 LI190 36-WAY ECONOSEAL III LC (RED)  
 LI243 13-WAY ECONOSEAL III HC (WHITE)  
 LI244 20-WAY AMP 70 (BLACK)  
 RH104 2-WAY ECONOSEAL III HC (BLACK)  
 RH180 24-WAY SUMITOMO BLOCK (WHITE)  
 RH173 RELAY BASE (YELLOW)

### LOCATION / INTERFACE

ABOVE FUEL TANK / FUEL PUMP MODULE  
 RIGHT COMPONENT PANEL / EMS POWER RELAY  
 RIGHT COMPONENT PANEL / ECM CONTROLLED RELAY  
 LEFT 'A' POST / ENGINE MANAGEMENT HARNESS  
 LEFT FRONT WHEEL ARCH / PURGE VALVE  
 TOP CENTER OF INTAKE MANIFOLD / EGR TEMPERATURE SENSOR  
 ON AIR INTAKE ELBOW / AIR TEMPERATURE SENSOR  
 BETWEEN INJECTOR #2 & 3 / IDLE SPEED ACTUATOR  
 ON THERMOSTAT HOUSING / COOLANT TEMPERATURE SENSOR  
 FRONT OF ENGINE / CRANKSHAFT SENSOR  
 FUEL INJECTOR #1  
 FUEL INJECTOR #2  
 FUEL INJECTOR #3  
 FUEL INJECTOR #4  
 FUEL INJECTOR #5  
 FUEL INJECTOR #6  
 LEFT FRONT COMPONENT PANEL / AIR INJECTION RELAY  
 ADJACENT TO CYLINDER #2 ON ENGINE / KNOCK SENSOR A  
 ADJACENT TO CYLINDER #5 ON ENGINE / KNOCK SENSOR B  
 RIGHT FRONT OF ENGINE / CAMSHAFT POSITION SENSOR  
 CENTER OF INTAKE MANIFOLD / EGR SENSOR, VALVE  
 CENTER OF INTAKE MANIFOLD / THROTTLE POSITION SENSOR  
 ADJACENT TO AIR INLET / MASS AIR FLOW SENSOR  
 IGNITION COIL #1  
 IGNITION COIL #2  
 IGNITION COIL #3  
 IGNITION COIL #4  
 IGNITION COIL #5  
 IGNITION COIL #6  
 ADJACENT TO REAR OF CYLINDER HEAD / OXYGEN SENSOR #1 (DOWNSTREAM)  
 ADJACENT TO REAR OF CYLINDER HEAD / OXYGEN SENSOR #2 (DOWNSTREAM)  
 ADJACENT TO REAR OF CYLINDER HEAD / OXYGEN SENSOR #3 (UPSTREAM)  
 ADJACENT TO REAR OF CYLINDER HEAD / OXYGEN SENSOR #4 (UPSTREAM)  
 TOP REAR OF AIR PUMP / AIR PUMP  
 RIGHT FRONT FOOTWELL / ENGINE CONTROL MODULE (HIGH POWER BOARD)  
 RIGHT FRONT FOOTWELL / ENGINE CONTROL MODULE (LOW POWER BOARD)  
 RIGHT FRONT INNER FENDER / ENGINE MANAGEMENT HARNESS  
 LOWER RIGHT 'A' POST BEHIND ECM ENGINE MANAGEMENT HARNESS  
 ABOVE FUEL TANK, RIGHT / FUEL PUMP HARNESS  
 BELOW LOWER LEFT A/C OUTLET / REARWARD HARNESS  
 ABOVE RIGHT REAR WHEEL ARCH / FUEL PUMP RELAY

## GROUND

### CODE

LBG269  
 LIG80  
 LIG81  
 RHG105R

### DESCRIPTION

EYELET  
 EYELET  
 EYELET  
 EYELET

### LOCATION / INTERFACE

RIGHT 'A' POST FASCIA END PANEL / POWER GROUND  
 ENGINE COMPARTMENT, BEHIND ABS PUMP ON BULKHEAD / POWER GROUND  
 ENGINE COMPARTMENT, BEHIND ABS PUMP ON BULKHEAD / POWER GROUND  
 RIGHT FRONT BULKHEAD IN ENGINE COMPARTMENT / POWER GROUND

CONTINUED AT LEFT ON FOLDOUT

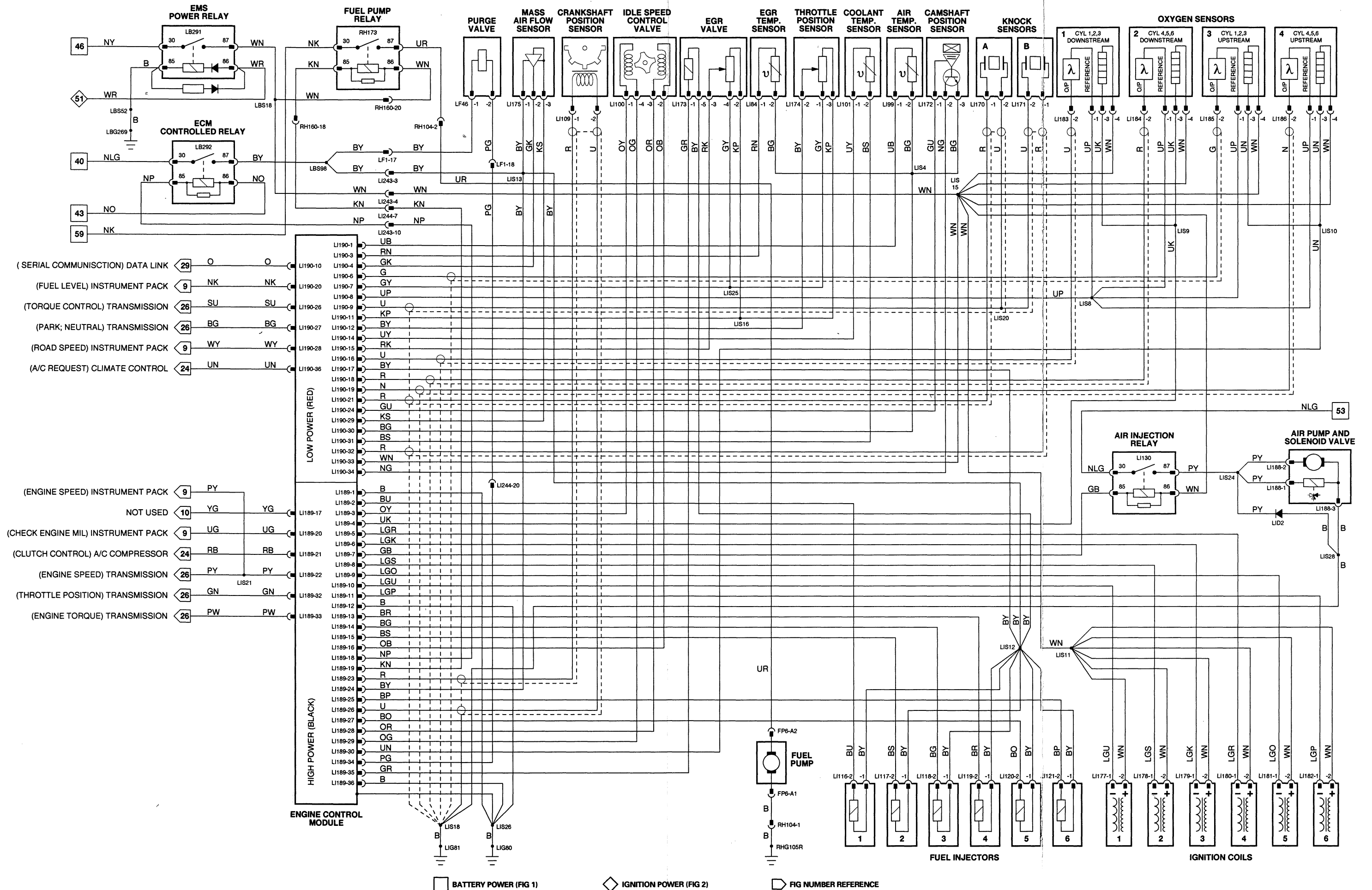
# INPUTS / OUTPUTS

## ENGINE CONTROL MODULE

CODE	IN / OUT	CIRCUIT	ACTIVE	INACTIVE
L1189-1	INPUT	POWER GROUND	GROUND	GROUND
L1189-2	OUTPUT	FUEL INJECTOR #1 DRIVE	700RPM: 0.90VAC 1000RPM: 1.30VAC 1500RPM: 1.80VAC	2500RPM: 2.90VAC
L1189-3	OUTPUT	IDLE SPEED CONTROL VALVE PIN #1	KEY ON: 12V	DC REVERSIBLE MOTOR *
L1189-4	OUTPUT	OXYGEN SENSOR HEATERS (1 & 2)	KEY ON: 12V 6.0V - 0V SWING WITH ENGINE RUNNING	
L1189-5	OUTPUT	IGNITION COIL #4 DRIVE	700RPM: 0.30VAC 1000RPM: 0.45VAC 1500RPM: 0.60VAC	2500RPM: 1.08VAC
L1189-6	OUTPUT	IGNITION COIL #3 DRIVE	700RPM: 0.30VAC 1000RPM: 0.45VAC 1500RPM: 0.60VAC	2500RPM: 1.08VAC
L1189-7	OUTPUT	AIR INJECTION RELAY	PUMP ON: GROUND	PUMP OFF: 12V
L1189-8	OUTPUT	IGNITION COIL #2 DRIVE	700RPM: 0.30VAC 1000RPM: 0.45VAC 1500RPM: 0.60VAC	2500RPM: 1.08VAC
L1189-9	OUTPUT	IGNITION COIL #5 DRIVE	700RPM: 0.30VAC 1000RPM: 0.45VAC 1500RPM: 0.60VAC	2500RPM: 1.08VAC
L1189-10	OUTPUT	IGNITION COIL #1 DRIVE	700RPM: 0.30VAC 1000RPM: 0.45VAC 1500RPM: 0.60VAC	2500RPM: 1.08VAC
L1189-11	OUTPUT	IGNITION COIL #6 DRIVE	700RPM: 0.30VAC 1000RPM: 0.45VAC 1500RPM: 0.60VAC	2500RPM: 1.08VAC
L1189-12	OUTPUT	POWER GROUND	GROUND	GROUND
L1189-13	OUTPUT	FUEL INJECTOR #4 DRIVE	700RPM: 0.90VAC 1000RPM: 1.30VAC 1500RPM: 1.80VAC	2500RPM: 2.90VAC
L1189-14	OUTPUT	FUEL INJECTOR #3 DRIVE	700RPM: 0.90VAC 1000RPM: 1.30VAC 1500RPM: 1.80VAC	2500RPM: 2.90VAC
L1189-15	OUTPUT	FUEL INJECTOR #2 DRIVE	700RPM: 0.90VAC 1000RPM: 1.30VAC 1500RPM: 1.80VAC	2500RPM: 2.90VAC
L1189-16	OUTPUT	IDLE SPEED CONTROL VALVE PIN #2	KEY ON: 12V	DC REVERSIBLE MOTOR *
L1189-18	OUTPUT	ECM CONTROLLED RELAY	KEY OFF: 12V	KEY ON/ENGINE RUNNING: GROUND
L1189-19	OUTPUT	FUEL PUMP RELAY	ENGINE RUNNING: GROUND	KEY ON: 12V
L1189-20	OUTPUT	MIL LIGHT	LIGHT ON: GROUND	LIGHT OFF: 12V
L1189-21	OUTPUT	A/C COMPRESSOR CLUTCH	CLUTCH ON: GROUND	CLUTCH OFF: 12V
L1189-22	OUTPUT	ENGINE SPEED TO TCM	6.0 VAC AT IDLE	PULSED SIGNAL
L1189-23	INPUT	CRANKSHAFT POSITION SENSOR	700RPM: 4.0VAC 1500RPM: 8.60VAC 3000RPM: 22.0VAC	
L1189-24	INPUT	ECM CONTROLLED RELAY	ENGINE RUNNING: 12V	KEY OFF, AFTER 15 SEC. POWER-DOWN: OPEN
L1189-25	OUTPUT	FUEL INJECTOR #6 DRIVE	700RPM: 0.90VAC 1000RPM: 1.30VAC 1500RPM: 1.80VAC	2500RPM: 2.90VAC
L1189-26	INPUT	CRANKSHAFT POSITION SENSOR GROUND	GROUND	GROUND
L1189-27	OUTPUT	FUEL INJECTOR #5 DRIVE	700RPM: 0.90VAC 1000RPM: 1.30VAC 1500RPM: 1.80VAC	2500RPM: 2.90VAC
L1189-28	OUTPUT	IDLE SPEED CONTROL VALVE PIN #3	KEY ON: 12V	DC REVERSIBLE MOTOR *
L1189-29	OUTPUT	IDLE SPEED CONTROL VALVE PIN #4	KEY ON: 12V	DC REVERSIBLE MOTOR *
L1189-30	OUTPUT	OXYGEN SENSOR HEATERS (3 & 4)	KEY ON: 12V 6.0V - 0V SWING WITH ENGINE RUNNING	
L1189-32	OUTPUT	THROTTLE POSITION SENSOR TO TCM	700RPM: 2.30VAC 1500RPM: 2.80VAC 3000RPM: 3.90VAC	
L1189-33	OUTPUT	ENGINE TORQUE SIGNAL (COMMAND)	KEY ON: 10V	VOLTAGE DECREASES WITH ENGINE LOAD
L1189-34	OUTPUT	PURGE CONTROL VALVE	KEY ON: 12V	DUTY CYCLE SOLENOID
L1189-35	OUTPUT	EGR VALVE MOTOR GROUND	GROUNDS DURING 15 SEC. POWER-DOWN	KEY ON: 12V
L1189-36	OUTPUT	POWER GROUND	GROUND	GROUND

\* NOTES: 1) ON POWER-DOWN (15 SEC. AFTER KEY IS TURNED OFF) IDLE SPEED CONTROL VALVE WILL TRAVEL FOR POSITIONING. GROUND, STEP UP TO 6V, THEN STALL AT 12V. AFTER COMPLETE POWER DOWN, OPEN CIRCUIT WILL OCCUR.  
 2) ON POWER-DOWN (15 SEC. AFTER KEY IS TURNED OFF) IDLE SPEED CONTROL VALVE WILL TRAVEL FOR POSITIONING. BATTERY VOLTAGE, STEP UP TO 6V, THEN STALL AT 12V. AFTER COMPLETE POWER DOWN, OPEN CIRCUIT WILL OCCUR.

L1190-1	INPUT	AIR TEMPERATURE SENSOR	2.10V AT 72°F	
L1190-3	INPUT	EGR FUNCTION SENSOR	KEY ON: 4.90 VOLTS	VOLTAGE DECREASES WITH EGR OPERATION
L1190-4	INPUT	MASS AIR FLOW SENSOR	700RPM: 1.30V 1500RPM: 1.70V 3000RPM: 2.3V	
L1190-6	INPUT	UPSTREAM OXYGEN SENSOR #3 (CYLINDERS 1, 2, 3)	0.20 - 4.8V SWING AS CLOSED LOOP FUELING CHANGES	KEY ON, ENGINE OFF: 4.9V (LEAN)
L1190-7	OUTPUT	EGR / TPS GROUND	GROUND	GROUND
L1190-8	OUTPUT	OXYGEN SENSOR REFERENCE VOLTAGE GROUND	GROUND	GROUND
L1190-9	OUTPUT	KNOCK SENSOR REFERENCE VOLTAGE GROUND	GROUND	GROUND
L1190-10	INPUT	SERIAL COMMUNICATION DATA LINK	PDU	PDU
L1190-11	OUTPUT	EGR/TPS REFERENCE VOLTAGE	KEY ON: 5V	KEY OFF: OPEN CIRCUIT
L1190-12	INPUT	THROTTLE POSITION SENSOR SWEEP	CLOSED THROTTLE: 0.58V	4.8V AT WIDE OPEN THROTTLE
L1190-14	INPUT	COOLANT TEMPERATURE SENSOR	72°F: 1.2V (8500Ω)	190°F: 0.65V (240Ω)
L1190-15	INPUT	EGR POSITION SENSOR	FULL OPEN: 5V (VARIES WITH POSITION)	KEY ON, VALVE CLOSED: 0.82V
L1190-16	INPUT	DOWNSTREAM OXYGEN SENSOR #1 (CYLINDERS 1, 2, 3)	0.20 - 4.8V SWING AS CLOSED LOOP FUELING CHANGES	KEY ON, ENGINE OFF: 4.9V (LEAN)
L1190-17	INPUT	VOLTAGE SUPPLY (ECM CONTROLLED RELAY)	KEY ON: 12V	KEY OFF, AFTER 15 SEC.: OPEN CIRCUIT
L1190-18	INPUT	DOWNSTREAM OXYGEN SENSOR #2 (CYLINDERS 4, 5, 6)	0.20 - 4.8V SWING AS CLOSED LOOP FUELING CHANGES	KEY ON, ENGINE OFF: 4.9V (LEAN)
L1190-19	INPUT	UPSTREAM OXYGEN SENSOR #4 (CYLINDERS 4, 5, 6)	0.20 - 4.8V SWING AS CLOSED LOOP FUELING CHANGES	KEY ON, ENGINE OFF: 4.9V (LEAN)
L1190-20	INPUT	LOW FUEL LEVEL WARNING	FUEL LEVEL NORMAL: 12V	FUEL LOW: GROUND
L1190-21	INPUT	KNOCK SENSOR 'A'	PULSED SIGNAL	PULSED SIGNAL
L1190-24	INPUT	CAMSHAFT POSITION SENSOR SUPPLY	KEY ON: 12V	ENGINE ON: 12V
L1190-26	INPUT	TORQUE CONTROL (DEMAND)	PULSED SIGNAL	PULSED SIGNAL
L1190-27	INPUT	P/N ROTARY SWITCH	'P', 'N': GROUND	'R', 'D', '3', '2': 12V
L1190-28	INPUT	ROAD SPEED	PULSED SIGNAL	PULSED SIGNAL
L1190-29	INPUT	MASS AIR FLOW SENSOR	GROUND	GROUND
L1190-30	INPUT	SENSOR GROUNDS	GROUND	GROUND
L1190-31	INPUT	COOLANT TEMPERATURE SENSOR GROUND	GROUND	GROUND
L1190-32	INPUT	KNOCK SENSOR B	PULSED SIGNAL	PULSED SIGNAL
L1190-33	INPUT	EMS POWER RELAY	KEY ON: 12V	KEY OFF: OPEN CIRCUIT
L1190-34	OUTPUT	CAMSHAFT POSITION SENSOR REFERENCE	700RPM: 7.5V PULSED SIGNAL	PULSED SIGNAL
L1190-36	INPUT	A/C CLIMATE CONTROL REQUEST	A/C ON: 12V	A/C OFF: OPEN





# FIG 26 DATA

## COMPONENTS

DESCRIPTION	LOCATION	ACCESS
KICKDOWN SWITCH	BENEATH ACCELERATOR PEDAL	DRIVER'S FOOTWELL CARPET
RELAY — TRANSMISSION POWER (GH4)	ABOVE RR WHEEL ARCH	RIGHT TRUNK TRIM
RELAY — TRANSMISSION WARNING (LB280)	LEFT COMPONENT PANEL	LEFT UNDER DASH PANEL
TRANSMISSION CONTROL MODULE	COUPE: PASSENGER'S 'B/C' POST CONV.: ADJACENT TO BATTERY	'B/C' POST TRIM
TRANSMISSION MODE SWITCH	CENTER CONSOLE	BATTERY TRIM
TRANSMISSION ROTARY SWITCH	LEFT SIDE OF GEARBOX	CENTER CONSOLE TRIM ON GEARBOX

## CONNECTORS

CODE	DESCRIPTION	LOCATION / INTERFACE
GB3	9-WAY HELLERMAN DEUTSCH (BLACK)	RIGHT SIDE OF GEARBOX / TRANSMISSION INTERNAL ELECTRICS
GH4	RELAY BASE (BLUE)	ABOVE RIGHT REAR WHEEL ARCH / TRANSMISSION POWER RELAY
GH5	55-WAY AMP CONNECTOR (BLACK)	COUPE: RIGHT 'B/C' POST / TRANSMISSION CONTROL MODULE CONV.: ADJACENT TO BATTERY / TRANSMISSION CONTROL MODULE
GH6	6-WAY SUMITOMO STD. (WHITE)	ADJACENT TO GEAR SELECTOR MODULE / MODE SWITCH
GH9	14-WAY SUMITOMO BLOCK (WHITE)	BELOW RIGHT A/C OUTLET / BULKHEAD HARNESS
GH11	12-WAY MULTILOCK 40 (BLACK)	LOWER LEFT A/C OUTLET / TRANSMISSION ROTARY SWITCH
GH12	4-WAY MULTILOCK 70 (WHITE)	LOWER LEFT OF A/C UNIT / GEARBOX HARNESS
GH13	20-WAY MULTILOCK 40 (BLACK)	BELOW LOWER A/C OUTLET / GEARBOX HARNESS
GH14	2-WAY MULTILOCK 70 (WHITE)	BELOW LOWER A/C OUTLET / GEARBOX HARNESS
LB266	PM 5 (PURPLE)	BEHIND ACCELERATOR PEDAL / KICKDOWN SWITCH
LB280	RELAY BASE (BLACK)	LEFT COMPONENT PANEL / TRANSMISSION WARNING RELAY

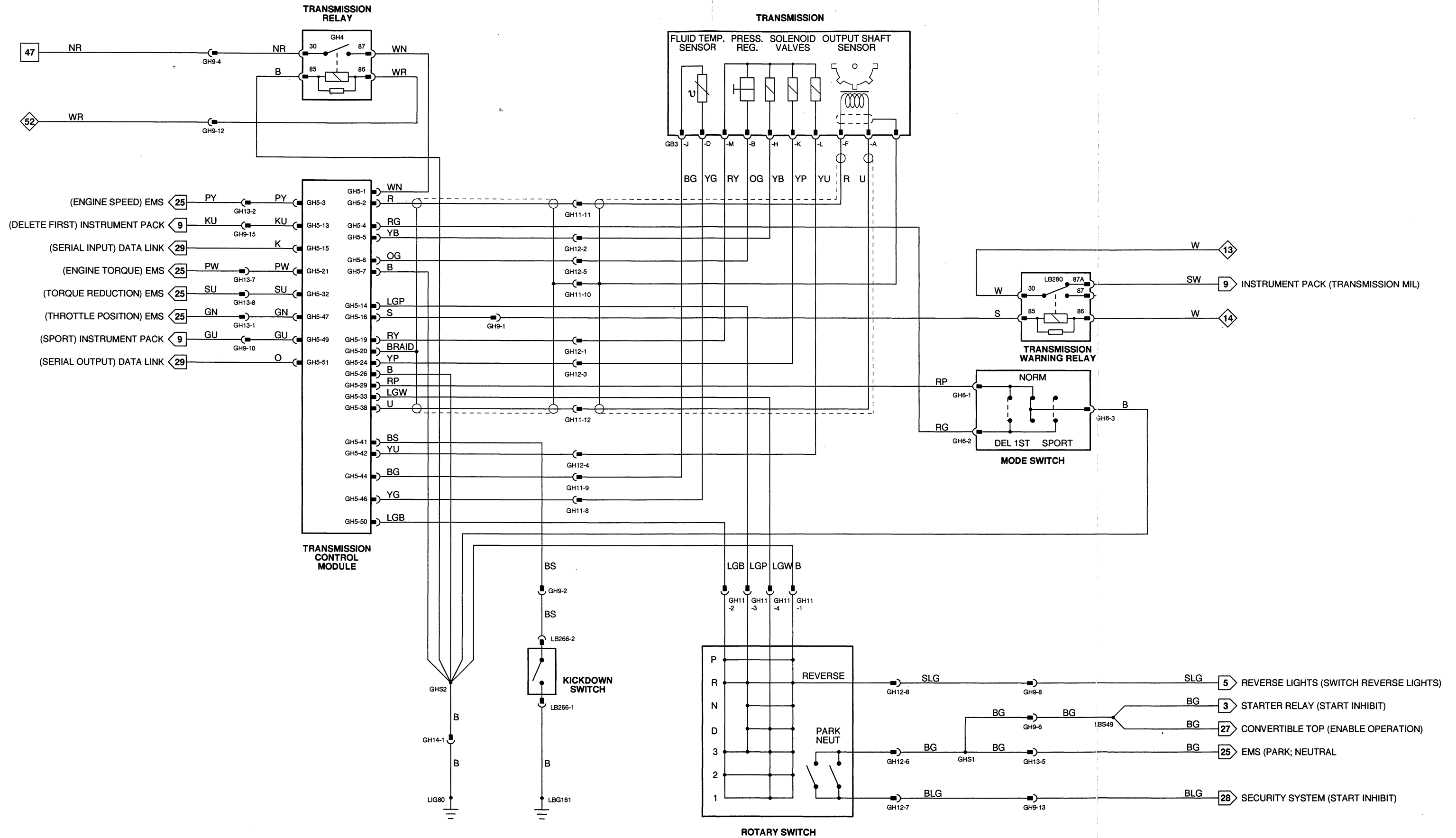
## GROUND

CODE	DESCRIPTION	LOCATION / INTERFACE
LBG161	EYELET	LEFT TRANSMISSION TUNNEL ADJACENT TO DASH SUPPORT / LOGIC GROUND
LIG80	EYELET	ENGINE COMPARTMENT BEHIND ABS PUMP ON BULKHEAD / POWER GROUND

## INPUTS / OUTPUTS

### TRANSMISSION CONTROL MODULE

CODE	IN / OUT	CIRCUIT	ACTIVE	INACTIVE
GH5-1	INPUT	TRANSMISSION POWER RELAY	KEY ON: 12V	KEY OFF: OPEN CIRCUIT
GH5-2	INPUT	OUTPUT SHAFT SPEED SENSOR	0 MPH: 1.6 MV AC; 10 MPH: 2.2V AC; 30 MPH: 6.5V AC	
GH5-3	INPUT	ENGINE SPEED SIGNAL	PULSED VOLTAGE	0V
GH5-4	INPUT	MODE SWITCH	SPORT: GROUND	DELETE FIRST: GROUND
GH5-5	OUTPUT	SOLENOID VALVE #1 (MV1)	"2", "3": GROUND	"P", "R", "N", "1", "4": 12V
GH5-6	OUTPUT	PRESSURE REGULATOR SOLENOID	PULSED GROUND	MAXIMUM PRESSURE: 12V
GH5-7	INPUT	POWER GROUND	GROUND	GROUND
GH5-13	OUTPUT	DELETE FIRST LIGHT	LIGHT ON: 12V	LIGHT OFF: OPEN CIRCUIT
GH5-14	INPUT	ROTARY SWITCH	KEY ON, "P", "2": 12V	"R", "N", "3", "2": GROUND
GH5-15	INPUT	SERIAL COMMUNICATIONS DATA LINK	PDU	—
GH5-16	OUTPUT	TRANSMISSION WARNING RELAY	LIGHT ON: GROUND	LIGHT OFF: 12V
GH5-19	OUTPUT	TRANSMISSION SOLENOIDS	ENGINE RUNNING, NO FAULTS: 12V	KEY OFF: OPEN CIRCUIT
GH5-20	OUTPUT	SHIELD OUTPUT SHAFT SPEED SENSOR	SHIELD GROUND	SHIELD GROUND
GH5-21	INPUT	ENGINE CONTROL MODULE — ENGINE LOAD	BATTERY VOLTAGE / REDUCING WITH ENGINE LOAD	
GH5-24	OUTPUT	SOLENOID VALVE #2 (MV2)	"P", "R", "N", "D", "1", "2": GROUND	"3", "4": 12V
GH5-26	INPUT	POWER GROUND	GROUND	GROUND
GH5-29	INPUT	TRANSMISSION MODE SWITCH	NORMAL: GROUND	DELETE FIRST: GROUND
GH5-32	OUTPUT	IGNITION TIMING RETARD	ENGINE RUNNING: 11V	KEY OFF: OPEN CIRCUIT
GH5-33	INPUT	ROTARY SWITCH	KEY ON, "P", "R", "N": 12V	"D", "3", "2": GROUND
GH5-38	INPUT	OUTPUT SHAFT SPEED SENSOR	GROUND	GROUND
GH5-41	INPUT	KICKDOWN SWITCH	SWITCH PRESSED: GROUND	SWITCH RELEASED: 12V
GH5-42	OUTPUT	SOLENOID VALVE #3 — LOCK-UP	LOCK-UP ON: GROUND	RELEASED: 12V
GH5-44	OUTPUT	FLUID TEMPERATURE SENSOR	GROUND	GROUND
GH5-46	INPUT	FLUID TEMPERATURE SENSOR	70° F = 0.95V, 180° F = 1.4V ±0.1V, INCREASES WITH TEMPERATURE	
GH5-47	INPUT	THROTTLE POSITION SENSOR	1.26 VDC AT CLOSED THROTTLE, 9.2 VDC AT FULL THROTTLE	
GH5-49	OUTPUT	SPORT MODE INDICATOR	SPORT LIGHT ON: GROUND	SPORT LIGHT OFF: 12V
GH5-50	INPUT	ROTARY SWITCH	KEY ON, "P", "R", "3", "2": GROUND	"D", "N": 12V
GH5-51	OUTPUT	SERIAL COMMUNICATIONS DATA LINK	PDU	—



□ BATTERY POWER (FIG 1)

◇ IGNITION POWER (FIG 2)

◇ FIG NUMBER REFERENCE

# FIG 27 DATA

## COMPONENTS

DESCRIPTION	LOCATION	ACCESS
CONVERTIBLE TOP CONTROL MODULE	ADJACENT TO BATTERY AND PUMP UNIT	BATTERY TRIM
CONVERTIBLE TOP FUSE	ADJACENT TO BATTERY AND PUMP UNIT	BATTERY TRIM
CONVERTIBLE TOP MOTOR	ADJACENT TO BATTERY AND PUMP UNIT	BATTERY TRIM
CONVERTIBLE TOP SWITCH	CENTER CONSOLE	REMOVE TRIM
PARKING BRAKE SWITCH	PARKING BRAKE	REMOVE TRIM
QUARTER WINDOW MOTOR — LEFT	LEFT REAR WINDOW	BEHIND TRIM COVER
QUARTER WINDOW MOTOR — RIGHT	RIGHT REAR WINDOW	BEHIND TRIM COVER
RELAY — LEFT QUARTER DOWN (HH20)	CONVERTIBLE TOP COMPONENT PANEL	ADJACENT TO BATTERY TRAY
RELAY — LEFT QUARTER UP (HH21)	CONVERTIBLE TOP COMPONENT PANEL	ADJACENT TO BATTERY TRAY
RELAY — RIGHT QUARTER DOWN (HH24)	CONVERTIBLE TOP COMPONENT PANEL	ADJACENT TO BATTERY TRAY
RELAY — RIGHT QUARTER UP (HH25)	CONVERTIBLE TOP COMPONENT PANEL	ADJACENT TO BATTERY TRAY
RELAY — TOP DOWN (HH22)	CONVERTIBLE TOP COMPONENT PANEL	ADJACENT TO BATTERY TRAY
RELAY — TOP UP (HH23)	CONVERTIBLE TOP COMPONENT PANEL	ADJACENT TO BATTERY TRAY
THERMAL BREAKERS	LUGGAGE LOCKER	REMOVE COVER
TRANSMISSION ROTARY SWITCH	LEFT SIDE OF GEARBOX	ON GEARBOX

## CONNECTORS

CODE	DESCRIPTION	LOCATION / INTERFACE
GH8	13-WAY SUMITOMO BLOCK (BLACK)	BELOW RIGHT A/C OUTLET / ROTARY SWITCH HARNESS
GH9	16-WAY SUMITOMO BLOCK (BLACK)	BELOW RIGHT A/C OUTLET / ROTARY SWITCH HARNESS
GH12	8-WAY MULTILOCK 70 (WHITE)	RIGHT SIDE OF A/C UNIT / TRANSMISSION ROTARY SWITCH
HH18	2-WAY SPADE (WHITE)	AT TOP MOTOR / TOP MOTOR
HH19	2-WAY FUSE HOLDER (BLACK)	BETWEEN HOOD PUMP AND INNER FENDER / CONVERTIBLE TOP FUSE
HH20	RELAY BASE (WHITE)	CONVERTIBLE TOP COMPONENT PANEL / LEFT QUARTER DOWN RELAY
HH21	RELAY BASE (YELLOW)	CONVERTIBLE TOP COMPONENT PANEL / LEFT QUARTER UP RELAY
HH22	RELAY BASE (BLUE)	CONVERTIBLE TOP COMPONENT PANEL / TOP DOWN RELAY
HH23	RELAY BASE (GREEN)	CONVERTIBLE TOP COMPONENT PANEL / TOP UP RELAY
HH24	RELAY BASE (BLACK)	CONVERTIBLE TOP COMPONENT PANEL / RIGHT QUARTER DOWN RELAY
HH25	RELAY BASE (RED)	CONVERTIBLE TOP COMPONENT PANEL / RIGHT QUARTER UP RELAY
HH26	13-WAY SUMITOMO BLOCK (WHITE)	BELOW CONVERTIBLE TOP COMPONENT PANEL / CONVERTIBLE TOP CONTROL MODULE
HH27	.250 BLADE (BLACK)	FRONT OF CONV. TOP COMPONENT PANEL / LEFT QUARTER MOTOR THERMAL BREAKER
HH28	.250 BLADE (BLACK)	FRONT OF CONV. TOP COMPONENT PANEL / LEFT QUARTER MOTOR THERMAL BREAKER
HH29	.250 BLADE (BLACK)	REAR OF CONV. TOP COMPONENT PANEL / RIGHT QUARTER MOTOR THERMAL BREAKER
HH30	.250 BLADE (BLACK)	REAR OF CONV. TOP COMPONENT PANEL / RIGHT QUARTER MOTOR THERMAL BREAKER
HH31	6-WAY MULTILOCK 40 (WHITE)	BETWEEN RELAY MOUNTING BRACKET AND RR WHEEL ARCH / REAR HARNESS
HH32	6-WAY SUMITOMO STD. (WHITE)	BETWEEN RELAY MOUNTING BRACKET AND RR WHEEL ARCH / REAR HARNESS
RH133	.250 BLADE (WHITE)	PARKING BRAKE SWITCH / BULB FAIL UNIT
RH134	.250 BLADE (WHITE)	PARKING BRAKE SWITCH / BULB FAIL UNIT
RH135	.250 BLADE (WHITE)	PARKING BRAKE SWITCH / GROUND
RH145	3-WAY PM 5 (BLACK)	BEHIND REAR QUARTER TRIM / RIGHT QUARTER MOTOR
RH147	3-WAY PM 5 (BLACK)	BEHIND REAR QUARTER TRIM / LEFT QUARTER MOTOR
RH150	6-WAY AMP SOCKET (WHITE)	CENTER CONSOLE / CONVERTIBLE TOP SWITCH
RH161	20-WAY SUMITOMO BLOCK (WHITE)	BELOW LOWER LEFT A/C OUTLET / REARWARD HARNESS

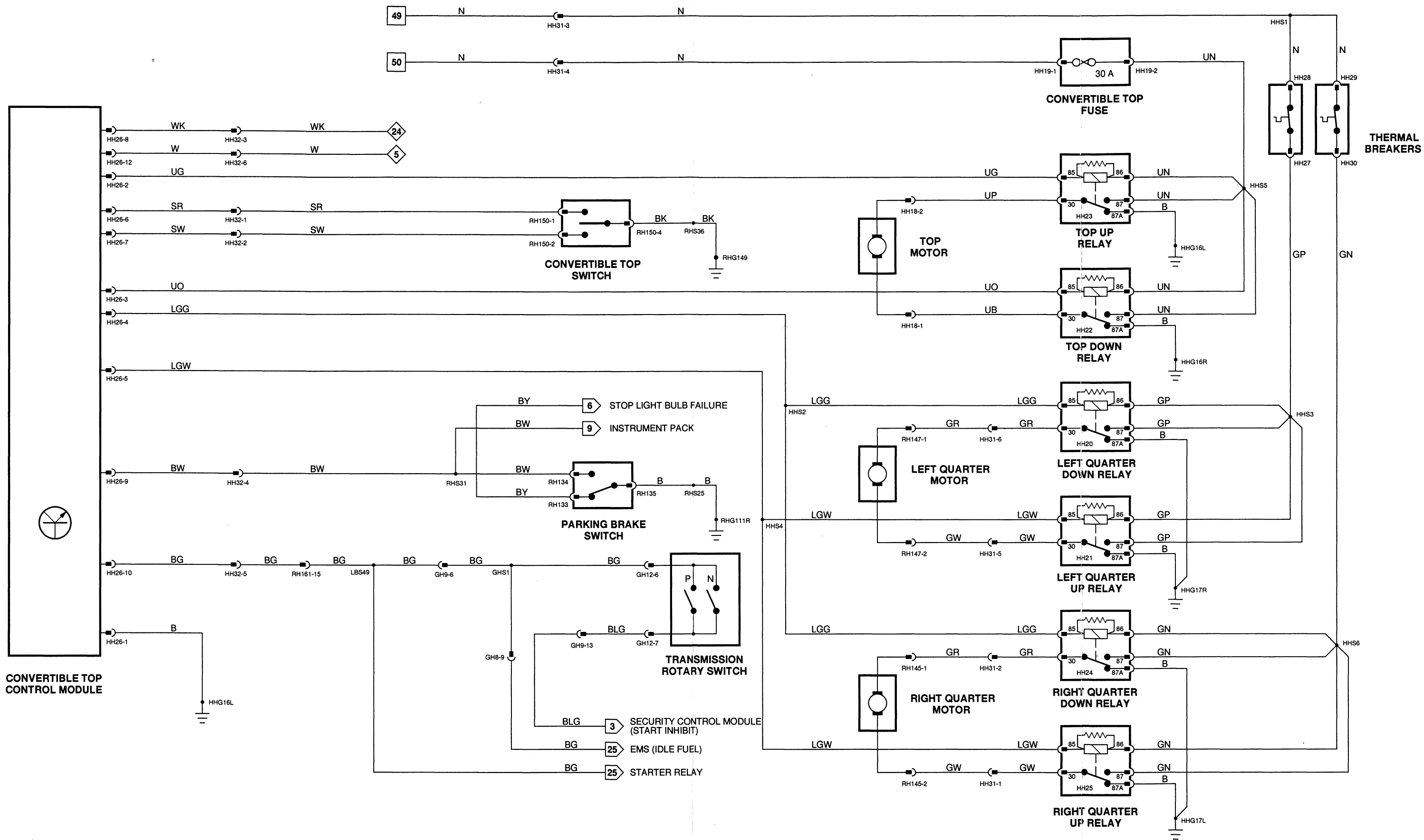
## GROUNDINGS

CODE	DESCRIPTION	LOCATION / INTERFACE
HHG16L	EYELET	RIGHT REAR INNER WHEEL ARCH / POWER GROUND
HHG16R	EYELET	RIGHT REAR INNER WHEEL ARCH / POWER GROUND
HHG17L	EYELET	RIGHT REAR INNER WHEEL ARCH / POWER GROUND
HHG17R	EYELET	RIGHT REAR INNER WHEEL ARCH / POWER GROUND
RHG111R	EYELET	LEFT REAR INNER WHEEL ARCH / POWER GROUND
RHG149	EYELET	LEFT TRANSMISSION TUNNEL ADJACENT TO DASH SUPPORT / LOGIC GROUND

## INPUTS / OUTPUTS

### CONVERTIBLE TOP CONTROL MODULE

CODE	IN / OUT	CIRCUIT	ACTIVE	INACTIVE
HH26-1	INPUT	POWER GROUND	GROUND	GROUND
HH26-2	OUTPUT	CONVERTIBLE TOP UP RELAY	GROUND	12V
HH26-3	OUTPUT	CONVERTIBLE TOP DOWN RELAY	GROUND	12V
HH26-4	OUTPUT	LEFT/RIGHT QUARTER DOWN RELAY	GROUND	12V
HH26-5	OUTPUT	LEFT/RIGHT QUARTER UP RELAY	GROUND AFTER 8 SEC. DELAY	12V
HH26-6	INPUT	CONVERTIBLE TOP SWITCH — UP	BUTTON IN: GROUND	BUTTON OUT: 5V
HH26-7	INPUT	CONVERTIBLE TOP SWITCH — DOWN	BUTTON IN: GROUND	BUTTON OUT: 5V
HH26-8	INPUT	IGNITION SWITCHED POWER	12V	0V
HH26-9	INPUT	PARKING BRAKE SWITCH	BRAKE ON: GROUND	OFF: 12V
HH26-10	INPUT	ROTARY SWITCH	"P" OR "N": GROUND	"D" OR "R": 12V
HH26-12	INPUT	IGNITION SWITCHED POWER	12V	0V



□ BATTERY POWER (FIG 1)

◇ IGNITION POWER (FIG 2)

◇ FIG NUMBER REFERENCE

# FIG 28 DATA

## COMPONENTS

### DESCRIPTION

DOOR SWITCH — DRIVER'S  
DOOR SWITCH — PASSENGER'S  
MULTI FUNCTION UNIT  
RELAY — HEADLIGHT FLASH (LB293)  
SECURITY SYSTEM CONTROL MODULE  
SECURITY SYSTEM ANTENNA  
SOUNDER  
TRUNK LIGHT SWITCH  
WARNING LED

### LOCATION

DRIVER'S 'A' POST  
PASSENGER'S 'A' POST  
RIGHT COMPONENT PANEL  
LEFT COMPONENT PANEL  
RIGHT TAIL LIGHT CLUSTER  
RIGHT QUARTER MOTOR TRIM  
LEFT FRONT WHEEL ARCH  
TRUNK LATCH ASSEMBLY  
CIGAR LIGHTER BEZEL

### ACCESS

LEFT UNDER DASH PANEL  
RIGHT UNDER DASH PANEL  
RIGHT UNDER DASH PANEL  
LEFT UNDER DASH PANEL  
LENS TRIM PANEL  
QUARTER WINDOW TRIM  
WHEEL ARCH TRIM  
REMOVE LATCH  
CENTER CONSOLE TRIM

## CONNECTORS

### CODE

### DESCRIPTION

BF3 10-WAY MULTILOCK 70 (WHITE)  
BL11 8-WAY SUMITOMO STD. (WHITE)  
BL12 2-WAY AMP (WHITE)  
CH17 16-WAY SUMITOMO BLOCK (WHITE)  
CH20 2-WAY MULTILOCK 40 (GREEN)  
CH21 4-WAY MULTILOCK 40 (BLACK)  
LB133 20-WAY MULTILOCK 40 (BLACK)  
LB140 2-WAY SUMITOMO STD. (RED)  
LB188 2-WAY SUMITOMO STD. (WHITE)  
LB293 RELAY BASE (GREEN)  
LF1 16-WAY SUMITOMO BLOCK (RED)  
LF44 PM 5 (BLUE)  
PS1 16-WAY SUMITOMO BLOCK (BLACK)  
RH166 2-WAY MULTILOCK 70 (WHITE)  
RH177 16-WAY MULTILOCK 70 (BLACK)  
RH178 12-WAY MULTILOCK 70 (BLACK)  
RH179 20-WAY MULTILOCK 70 (BLACK)  
RH174 13-WAY SUMITOMO BLOCK (WHITE)  
SC2 RELAY BASE (BLUE)

### LOCATION / INTERFACE

ADJACENT TO RIGHT TAIL LIGHT CLUSTER / RIGHT REAR HARNESS  
TOP RIGHT OF FUEL TANK / REARWARD HARNESS  
ABOVE TRUNK LATCH MECHANISM / TRUNK LIGHT SWITCH  
BELOW RIGHT A/C OUTLET / CENTER HARNESS  
BELOW CIGAR LIGHTER BEZEL / SECURITY LED  
REAR EDGE OF CENTER CONSOLE / SECURITY SWITCH (IF FIT)  
RIGHT COMPONENT PANEL / MULTI FUNCTION UNIT  
RIGHT UNDER DASH PANEL, 6" FROM 'A' POST / PASSENGER'S DOOR SWITCH  
LEFT UNDER DASH PANEL, 6" FROM 'A' POST / DRIVER'S DOOR SWITCH  
LEFT COMPONENT PANEL / HEADLIGHT FLASH RELAY  
LOWER LEFT 'A' POST / LEFT FRONT HARNESS  
LEFT FRONT INNER WHEEL ARCH / SOUNDER  
INSIDE RIGHT 'A' POST / PASSENGER'S DOOR HARNESS  
BEHIND LEFT TAIL LIGHT TRIM / SHOCK SENSOR  
BEHIND RIGHT TAIL LIGHT CLUSTER / SECURITY CONTROL MODULE  
BEHIND RIGHT TAIL LIGHT CLUSTER / SECURITY CONTROL MODULE  
BEHIND RIGHT TAIL LIGHT CLUSTER / SECURITY CONTROL MODULE  
BELOW LEFT A/C OUTLET / SECURITY SYSTEM HARNESS  
LEFT FUSE PANEL / HEADLIGHT FLASH RELAY

## GROUND

### CODE

### DESCRIPTION

LGB161L EYELET  
LGB269 EYELET  
RHG105L EYELET  
RHG149 EYELET

### LOCATION / INTERFACE

LEFT TRANSMISSION TUNNEL ADJACENT TO DASH SUPPORT / LOGIC GROUND  
RIGHT 'A' POST FASCIA END PANEL / POWER GROUND  
LEFT REAR WHEEL ARCH / POWER GROUND  
LEFT TRANSMISSION TUNNEL ADJACENT TO DASH SUPPORT / LOGIC GROUND

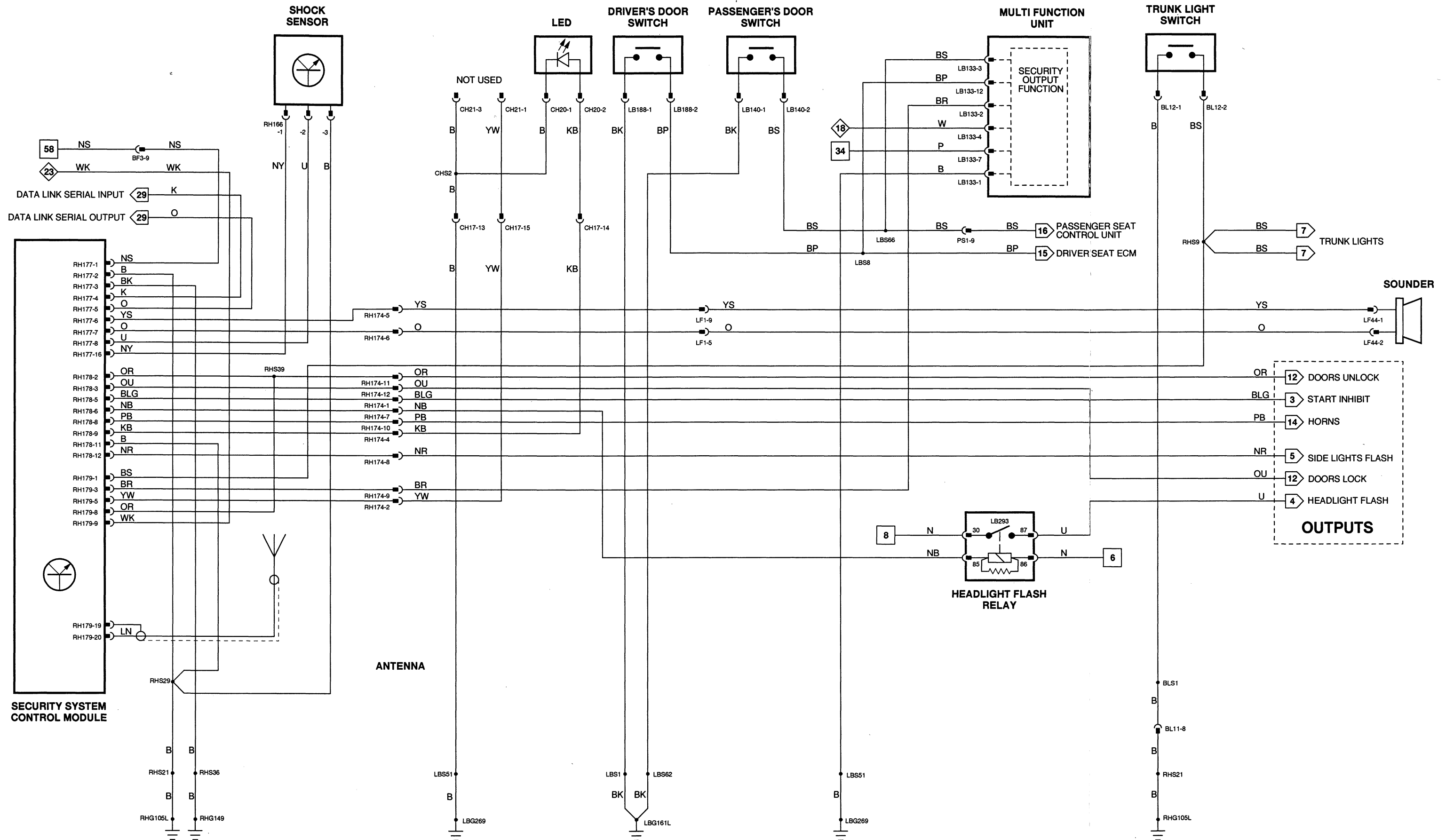
## INPUTS / OUTPUTS

### SECURITY SYSTEM CONTROL MODULE

CODE	IN / OUT	CIRCUIT	ACTIVE	INACTIVE
RH177-1	INPUT	BATTERY POWER	12V	12V
RH177-2	INPUT	POWER GROUND	GROUND	GROUND
RH177-3	INPUT	POWER GROUND	GROUND	GROUND
RH177-4	INPUT	SERIAL COMMUNICATIONS	PDU	—
RH177-5	OUTPUT	SERIAL COMMUNICATIONS	PDU	—
RH177-6	OUTPUT	SOUNDER (1/2 PUSH/PULL SYSTEM)	PULSED VOLTAGE	PULSED VOLTAGE
RH177-7	OUTPUT	SOUNDER (1/2 PUSH/PULL SYSTEM)	PULSED VOLTAGE	PULSED VOLTAGE
RH177-8	INPUT	SHOCK SENSOR	PULSED TO GROUND	5V
RH177-10	OUTPUT	SHOCK SENSOR	PULSED TO GROUND	5V
RH178-2	OUTPUT	DOORS UNLOCK	UNLOCKED: GROUND	LOCKED: PULSE TO 4V
RH178-3	OUTPUT	DOORS LOCK	LOCKED: GROUND	UNLOCKED: 3mv
RH178-5	OUTPUT	START INHIBIT	STARTER CIRCUIT INHIBITED: 12V	STARTER CIRCUIT ENABLED: GROUND WHEN CRANKING
RH178-6	OUTPUT	HEADLIGHTS FLASH	LIGHTS ON: GROUND	LIGHTS OFF: 12V
RH178-8	OUTPUT	HORNS	HORNS ON: GROUND	HORNS OFF: 12V
RH178-9	OUTPUT	SECURITY LED	LED ON: 2V	LED OFF: 5mv
RH178-11	INPUT	POWER GROUND	GROUND	GROUND
RH178-12	OUTPUT	SIDELIGHTS FLASH	LIGHTS ON: GROUND	LIGHTS OFF: 12V
RH179-1	INPUT	TRUNK LIGHT SWITCH	TRUNK OPEN: GROUND	TRUNK CLOSED: 12V
RH179-3	INPUT	DOOR OPEN	DOOR OPEN: GROUND	DOOR CLOSED: 5V
RH179-5	INPUT	SECURITY SWITCH (IF FIT)	SWITCH OFF: GROUND	SWITCH ON: 5V
RH179-8	OUTPUT	DOORS UNLOCK	UNLOCK: GROUND	LOCK: PULSE TO 4V
RH179-9	INPUT	IGNITION SWITCHED POWER	KEY ON: 12V	KEY OFF: OPEN CIRCUIT
RH179-19	OUTPUT	ANTENNA SHIELD	GROUND	GROUND
RH179-20	INPUT	ANTENNA	—	—

### MULTI FUNCTION UNIT

CODE	IN / OUT	CIRCUIT	ACTIVE	INACTIVE
LB133-1	INPUT	POWER GROUND	GROUND	GROUND
LB133-2	OUTPUT	DOOR OPEN	DOOR OPEN: GROUND	DOOR CLOSED: 4V
LB133-3	INPUT	PASSENGER'S DOOR SWITCH	DOOR OPEN: GROUND	DOOR CLOSED: 12V
LB133-4	INPUT	IGNITION SWITCHED POWER	KEY ON: 12V	KEY OFF: OPEN CIRCUIT
LB133-7	INPUT	BATTERY POWER	12V	12V
LB133-12	INPUT	DRIVER'S DOOR SWITCH	DOOR OPEN: GROUND	DOOR CLOSED: 12V



# FIG 29 DATA

## COMPONENTS

### DESCRIPTION

DATA LINK CONNECTOR  
DRIVER'S SEAT AND MIRROR CONTROL MODULE  
ENGINE CONTROL MODULE  
SECURITY SYSTEM CONTROL MODULE  
TRANSMISSION CONTROL MODULE

### LOCATION

TRUNK, RIGHT, BY REAR FUSE PANEL  
FRONT OF DRIVER'S SEAT  
RIGHT 'A' POST  
BEHIND RIGHT TAIL LIGHT CLUSTER  
COUPE: PASSENGER'S 'B/C' POST  
CONV.: ADJACENT TO BATTERY

### ACCESS

RIGHT TRUNK TRIM  
REMOVE FOOTWELL COVER  
RIGHT 'A' POST TRIM  
RIGHT TAIL LIGHT TRIM  
'B/C' POST TRIM  
BATTERY TRIM

## CONNECTORS

### CODE

DS1  
DS3  
GH5

### DESCRIPTION

24-WAY SUMITOMO BLOCK (WHITE)  
12-WAY AMP PCB POWER (BLACK)  
55-WAY AMP CONNECTOR (BLACK)

### LOCATION / INTERFACE

LEFT 'A' POST / DRIVERS SEAT CONTROL MODULE  
DRIVER'S FOOTWELL / DRIVER'S SEAT AND MIRROR CONTROL MODULE  
COUPE: RIGHT 'B/C' POST / TRANSMISSION CONTROL MODULE  
CONV.: ADJACENT TO BATTERY / TRANSMISSION CONTROL MODULE  
SIDE OF TRANSMISSION TUNNEL / TRANSMISSION CONTROL MODULE  
RIGHT FRONT FOOTWELL / ENGINE CONTROL MODULE (LOW POWER BOARD)  
LEFT 'A' POST BY HOOD RELEASE / DATA LINK CONNECTOR  
RIGHT 'A' POST BEHIND ECM / ENGINE MANAGEMENT HARNESS  
BELOW LOWER LEFT A/C OUTLET / REARWARD HARNESS  
BEHIND RIGHT TAIL LIGHT / SECURITY SYSTEM CONTROL MODULE

GH13  
LI190  
LB290  
LI244  
RH160  
RH177

20-WAY MULTILOCK 40 (BLACK)  
36-WAY ECONOSEAL III LC (RED)  
16-WAY AMP OBD II J1962 (SLATE)  
20-WAY AMP MULTILOCK 70 (WHITE)  
24-WAY SUMITOMO BLOCK (WHITE)  
16-WAY MULTILOCK 70 (BLACK)

## GROUNDS

### CODE

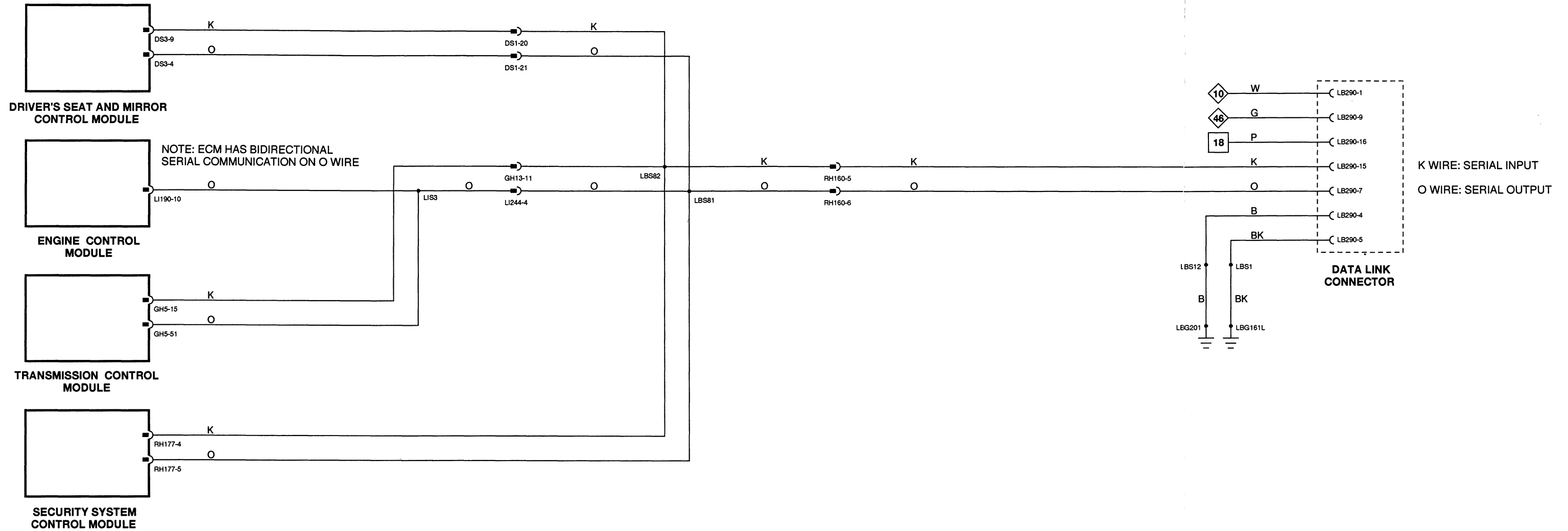
LBG161L  
LBG201

### DESCRIPTION

EYELET  
EYELET

### LOCATION / INTERFACE

LEFT TRANSMISSION TUNNEL ADJACENT TO DASH SUPPORT / LOGIC GROUND  
LEFT 'A' POST FASCIA END PANEL / POWER GROUND





# FIG 30 DATA

## COMPONENTS

DESCRIPTION	LOCATION	ACCESS
BULB FAILURE UNIT — LEFT FRONT	RIGHT COMPONENT PANEL	RIGHT UNDER DASH PANEL
BULB FAILURE UNIT — LEFT REAR	LEFT TAIL LIGHT	TRUNK, LEFT LIGHT TRIM
BULB FAILURE UNIT — RIGHT FRONT	RIGHT COMPONENT PANEL	RIGHT UNDER DASH PANEL
BULB FAILURE UNIT — RIGHT REAR	RIGHT TAIL LIGHT	TRUNK, RIGHT LIGHT TRIM
DIODE — DRD1	LEFT FRONT INNER FENDER	ENGINE COMPARTMENT
DIODE — DRD2	LEFT FRONT INNER FENDER	ENGINE COMPARTMENT
FUSE PANEL — LEFT FRONT	LEFT FRONT INNER FENDER	ENGINE COMPARTMENT
FUSE PANEL — REAR	RIGHT TAIL LIGHT	TRUNK, RIGHT LIGHT TRIM
HEADLIGHT CONTROL UNIT	LEFT FRONT INNER FENDER	ENGINE COMPARTMENT
RELAY — DAYTIME RUNNING LIGHTS (DR1)	LEFT FRONT COMPONENT PANEL	ENGINE COMPARTMENT, LEFT
RELAY — DAYTIME RUNNING LIGHTS (DR2)	LEFT FRONT COMPONENT PANEL	ENGINE COMPARTMENT, LEFT
RELAY — DAYTIME RUNNING LIGHTS (DR3)	LEFT FRONT COMPONENT PANEL	ENGINE COMPARTMENT, LEFT
RELAY — SIDE LIGHTS (LF10)	LEFT FRONT COMPONENT PANEL	ENGINE COMPARTMENT, LEFT

## CONNECTORS

CODE	DESCRIPTION	LOCATION / INTERFACE
BF1	FUSE PANEL CONNECTOR (BLACK)	ADJACENT TO RIGHT TAIL LIGHT CLUSTER / REAR FUSE PANEL
BF2	12-WAY MULTILOCK 70 (WHITE)	ADJACENT TO RIGHT TAIL LIGHT CLUSTER / REAR FUSE PANEL
BF3	10-WAY MULTILOCK 70 (WHITE)	ADJACENT TO RIGHT TAIL LIGHT CLUSTER / RIGHT REAR HARNESS
BL5	.187 BLADE (WHITE)	LEFT REAR LICENSE / LEFT LICENSE BULB
BL6	.187 BLADE (WHITE)	LEFT REAR LICENSE / LEFT LICENSE BULB
BL8	.187 BLADE (WHITE)	RIGHT REAR LICENSE / RIGHT LICENSE BULB
BL9	.187 BLADE (WHITE)	RIGHT REAR LICENSE / RIGHT LICENSE BULB
BL11	8-WAY SUMITOMO STD. (WHITE)	TOP RIGHT OF FUEL TANK / REAR LIGHTING HARNESS GROUND
DR1	RELAY BASE (BLUE)	LEFT FRONT COMPONENT PANEL / DAYTIME RUNNING LIGHTS RELAY
DR2	RELAY BASE (PURPLE)	LEFT FRONT COMPONENT PANEL / DAYTIME RUNNING LIGHTS RELAY
DR3	RELAY BASE (PURPLE)	LEFT FRONT COMPONENT PANEL / DAYTIME RUNNING LIGHTS RELAY
DR4	6-WAY SUMITOMO SEALED (GREEN)	LEFT FRONT INNER FENDER / DAYTIME RUNNING LIGHTS HARNESS
DR5	4-WAY SUMITOMO SEALED	LEFT FRONT INNER FENDER / DAYTIME RUNNING LIGHTS HARNESS
LB121	.250 BLADE (BLACK)	RIGHT COMPONENT PANEL / BULB FAIL. UNIT — LEFT FRONT
LB122	.250 BLADE (BLACK)	RIGHT COMPONENT PANEL / BULB FAIL. UNIT — LEFT FRONT
LB123	.250 BLADE (BLACK)	RIGHT COMPONENT PANEL / BULB FAIL. UNIT — LEFT FRONT
LB124	.250 BLADE (BLACK)	RIGHT COMPONENT PANEL / BULB FAIL. UNIT — RIGHT FRONT
LB125	.250 BLADE (BLACK)	RIGHT COMPONENT PANEL / BULB FAIL. UNIT — RIGHT FRONT
LB126	.250 BLADE (BLACK)	RIGHT COMPONENT PANEL / BULB FAIL. UNIT — RIGHT FRONT
LF1	16-WAY SUMITOMO BLOCK (RED)	LEFT 'A' POST / BULKHEAD HARNESS
LF6	6-WAY AMP (BLACK)	LEFT FRONT COMPONENT PANEL / HEADLIGHT CONTROL UNIT
LF10	RELAY BASE (BLUE)	LEFT FRONT COMPONENT PANEL / SIDELIGHTS RELAY
LF22	4-WAY SUMITOMO SEALED (GREEN)	RIGHT RADIATOR SUPPORT / RIGHT FRONT PARKING LIGHTS
LF26	2-WAY SUMITOMO SEALED (BLUE)	BEHIND RIGHT FRONT SIDE MARKER / RIGHT FRONT SIDE MARKER BULB
LF29	4-WAY SUMITOMO SEALED (GREEN)	LEFT FRONT INNER WHEEL ARCH / LEFT FRONT PARKING LIGHTS
LF30	2-WAY SUMITOMO SEALED (BLUE)	BEHIND LEFT FRONT SIDE MARKER / LEFT FRONT SIDE MARKER BULB
LF37	FUSE PANEL CONNECTOR (BLACK)	LEFT FRONT COMPONENT PANEL / LEFT FRONT FUSE PANEL
RH95	2-WAY SUMITOMO SEALED (BLUE)	RIGHT REAR SIDE MARKER / RIGHT SIDE MARKER BULB
RH96	4-WAY SUMITOMO STD. (WHITE)	RIGHT TAIL LIGHT / RIGHT TAIL LIGHT
RH98	.250 BLADE (WHITE)	ABOVE RIGHT TAIL LIGHT / BULB FAIL. UNIT — RIGHT REAR
RH99	.250 BLADE (WHITE)	ABOVE RIGHT TAIL LIGHT / BULB FAIL. UNIT — RIGHT REAR
RH100	.250 BLADE (WHITE)	ABOVE RIGHT TAIL LIGHT / BULB FAIL. UNIT — RIGHT REAR
RH116	2-WAY SUMITOMO SEALED (BLUE)	LEFT REAR SIDE MARKER / LEFT SIDE MARKER BULB
RH119	4-WAY SUMITOMO STD. (WHITE)	LEFT TAIL LIGHT / LEFT TAIL LIGHT
RH120	.250 BLADE (WHITE)	ABOVE LEFT TAIL LIGHT / BULB FAIL. UNIT — LEFT REAR
RH121	.250 BLADE (WHITE)	ABOVE LEFT TAIL LIGHT / BULB FAIL. UNIT — LEFT REAR
RH122	.250 BLADE (WHITE)	ABOVE LEFT TAIL LIGHT / BULB FAIL. UNIT — LEFT REAR
RH161	20-WAY SUMITOMO BLOCK (WHITE)	BELOW LOWER LEFT A/C OUTLET / REARWARD HARNESS

## GROUNDS

CODE	DESCRIPTION	LOCATION / INTERFACE
LFG14L	EYELET	TOP LEFT RADIATOR SUPPORT MOUNT / POWER GROUND
LFG18L	EYELET	TOP LEFT RADIATOR SUPPORT MOUNT / POWER GROUND
LFG18R	EYELET	TOP RIGHT RADIATOR SUPPORT MOUNT / POWER GROUND
RHG105	EYELET	RIGHT REAR INNER WHEEL ARCH / POWER GROUND
RHG111L	EYELET	LEFT REAR INNER WHEEL ARCH / POWER GROUND

