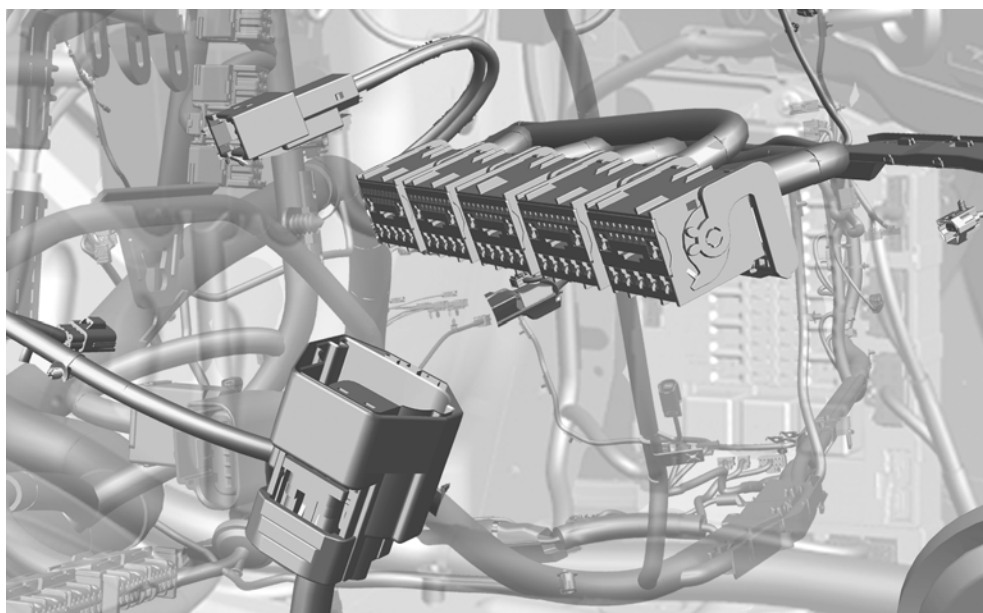




---

# Electrical Wiring Diagrams

---



**XF**

---





BY APPOINTMENT TO  
HER MAJESTY QUEEN ELIZABETH II  
MANUFACTURERS OF DAIMLER AND JAGUAR CARS  
JAGUAR CARS LIMITED COVENTRY



BY APPOINTMENT TO  
HIS ROYAL HIGHNESS THE PRINCE OF WALES  
MANUFACTURERS OF DAIMLER AND JAGUAR CARS  
JAGUAR CARS LIMITED COVENTRY

PREVIOUS APPOINTMENT TO THE LATE QUEEN ELIZABETH THE QUEEN MOTHER 1964 - 2007

---

# Electrical Wiring Diagrams

---

# XF

---

Published by Technical Communications, Jaguar Cars Limited

Publication Part No. JJM 18 38 40 801, September 2007

# PREFACE

---

While every effort is made to ensure accuracy, design changes to the vehicle may be made in the period between the completion of this publication and the introduction of vehicles.

All rights reserved. No part of this publication may be reproduced, stored in a retrieval system or transmitted in any form, electronic, mechanical, recording or other means without prior written permission from Jaguar Cars Limited.

© 2007 Jaguar Cars Limited

---

## ABBREVIATIONS

..... vi

## USING THIS PUBLICATION

Health and safety ..... vii

Using this publication ..... vii

Section numbering ..... viii

Understanding the circuit diagrams ..... viii

## 204-04 - WHEELS AND TIRES

Tire pressure monitoring system ..... 1

## 204-05 - VEHICLE DYNAMIC SUSPENSION

Adaptive Damping ..... 2

## 206-05 - PARKING BRAKE AND ACTUATION

..... 3

## 206-09 - ANTI-LOCK CONTROL

..... 4

## 211-04 - STEERING COLUMN

Steering wheel ..... 5

Steering Column Adjustment ..... 6

## 303-03 - ENGINE COOLING

Petrol ..... 7

DV6 ..... 8

## 303-06 - STARTING SYSTEM

V8NA ..... 9

V8SC ..... 10

PV6 ..... 11

DV6 ..... 12

## 303-14A - ELECTRONIC ENGINE CONTROLS - DV6

Sensors ..... 13

Emissions ..... 14

Glow plugs ..... 15

Actuators ..... 16

Vehicle interface - Part 1 ..... 17

Vehicle interface - Part 2 ..... 18

Vehicle interface - Part 3 ..... 19

Sensors - Part 1 ..... 20

Sensors - Part 2 ..... 21

Actuators - Part 1 ..... 22

Actuators - Part 2 ..... 23

## 303-14B - ELECTRONIC ENGINE CONTROLS - PV6

SAI without MAP ..... 24

IMT valves ..... 25

Sensors - Part 1 ..... 26

Sensors - Part 2 ..... 27

Emissions ..... 28

Throttle control ..... 29

Actuators - Part 1 ..... 30

Actuators - Part 2 ..... 31

Actuators - Part 3 ..... 32

---

### **303-14C - ELECTRONIC ENGINE CONTROLS - PV8SC**

SAI without MAP .....	33
Coolant pump - PV8SC .....	34
Sensors - Part 1 .....	35
Sensors - Part 2 .....	36
Emissions .....	37
Throttle control .....	38
Actuators - Part 1 .....	39
Actuators - Part 2 .....	40
Actuators - Part 3 .....	41

### **303-14 - ELECTRONIC ENGINE CONTROLS - PV8NA**

SAI with MAP .....	42
Sensors - Part 1 .....	43
Sensors - Part 2 .....	44
Emissions .....	45
Throttle control .....	46
Actuators - Part 1 .....	47
Actuators - Part 2 .....	48

### **307-01 - AUTOMATIC TRANSMISSION**

PV8NA .....	49
PV8SC .....	50
PV6 .....	51
DV6 .....	52

### **310-01 - FUEL TANK AND FUEL LINES**

Petrol .....	53
DV6 .....	54

### **310-03 - SPEED CONTROL**

Petrol .....	55
DV6 .....	56
Adaptive .....	57

### **412-01 - CLIMATE CONTROL**

Part 1 .....	58
Part 2 .....	59
Part 3 .....	60

### **412-02 - AUXILIARY CLIMATE CONTROL**

Heated - front .....	61
Heated - rear .....	62

### **413-01 - INSTRUMENT CLUSTER**

Part 1 .....	63
Part 2 .....	64
Part 3 .....	65

### **413-13 - PARKING AID**

Rear .....	66
Rear view camera .....	67
Front .....	68

---

## **414-01 - BATTERY, MOUNTING AND CABLES**

Battery cables - Petrol .....	69
Battery cables - Diesel .....	70
Engine junction box - PV8NA EMS .....	71
Engine junction box - PV8SC EMS .....	72
Engine junction box - PV6 EMS .....	73
Engine junction box - PV8 Emissions .....	74
Engine junction box - DV6 EMS .....	75
Engine junction box - Common 1 .....	76
Engine junction box - Common 2 .....	77
Engine junction box - visibility .....	78
Rear junction box .....	79
Rear junction box .....	80
Rear junction box .....	81
Rear junction box .....	82
Rear junction box .....	83
Rear junction box .....	84
Central junction box .....	85
Central junction box .....	86
Central junction box .....	87
Central junction box .....	88
Central junction box .....	89
Central junction box .....	90
Central junction box .....	91
Central junction box .....	92
Ground distribution .....	93
Ground distribution .....	94
Ground distribution .....	95
Ground distribution .....	96
Ground distribution .....	97
Ground distribution .....	98
Ground distribution .....	99
Ground distribution .....	100

## **414-02 - GENERATOR AND REGULATOR**

Charging - PV8NA .....	101
Charging - PV8SC .....	102
Charging - PV6 .....	103
Charging - DV6 .....	104

## **415-00 - INFORMATION AND ENTERTAINMENT SYSTEM**

Audio control (without power amplifier) .....	105
Audio control (with power amplifier) .....	106
14-Speaker system .....	107
8-Speaker system .....	108
9-Speaker system .....	109
Audio antennae .....	110
Portable audio interface - Part 1 .....	111
Portable audio interface - Part 2 .....	112
Digital radio .....	113
Television .....	114

## **417-01 - EXTERIOR LIGHTING**

Headlamps .....	115
Headlamps - high intensity discharge .....	116
Fog lamps .....	117
Brake and reverse lamps .....	118
Turn signal indicators and hazard flashers .....	119
Side lamps .....	120

## **417-02 - INTERIOR LIGHTING**

Map and Courtesy .....	121
Doors and Trunk .....	122
Ambient lighting .....	123
Switch Illumination .....	124

---

## **418-00 - MODULE COMMUNICATIONS NETWORK**

CAN bus - medium speed - Part 1 (Common) .....	125
CAN bus - medium speed - Part 2 (LHD) .....	126
CAN bus - medium speed - Part 3 (LHD) .....	127
CAN bus - medium speed - Part 2 (RHD) .....	128
CAN bus - medium speed - Part 3 (RHD) .....	129
CAN bus - high speed - Part 1 .....	130
CAN bus - high speed - Part 2 .....	131
CAN bus - high speed - Part 3 .....	132
CAN bus - high speed - Part 4 .....	133
MOST - Part 1 .....	134
MOST - Part 2 .....	135
MOST - Part 3 .....	136

## **419-01 - ANTI-THEFT SYSTEM**

Part 1 .....	137
Part 2 .....	138
Part 3 .....	139
Passive .....	140

## **419-07 - NAVIGATION SYSTEM**

.....	141
-------	-----

## **419-08 - CELLULAR PHONE**

.....	142
-------	-----

## **419-15 - ELECTRONIC FEATURES MODULES**

Glove compartment release .....	143
---------------------------------	-----

## **501-09 - REAR VIEW MIRRORS**

Electrochromic .....	144
Mirror Movement .....	145
Blind spot monitoring (LHD) .....	146
Blind spot monitoring (RHD) .....	147

## **501-10 - SEATING**

Driver seat - 10 way non-memory (LHD) .....	148
Driver seat - 10 way non-memory (RHD) .....	149
Passenger seat - 8 and 12 way (LHD) .....	150
Passenger seat - 8 and 12 way (RHD) .....	151
Driver seat - 16 way memory (LHD) .....	152
Driver seat - 10 way memory (LHD) .....	153
Driver seat - 16 way memory (RHD) .....	154
Driver seat - 10 way memory (RHD) .....	155
Climate controlled - Front (LHD) .....	156
Climate controlled - Front (RHD) .....	157
Heated - front .....	158

## **501-11 - GLASS, FRAMES AND MECHANISMS**

Window lift - front .....	159
Window lift - rear .....	160

## **501-12 - INSTRUMENT PANEL AND CONSOLE**

Switch pack - Instrument panel (center) .....	161
Accessory socket(s) .....	162

## **501-14 - HANDLES, LOCKS, LATCHES AND ENTRY SYSTEMS**

Keyless entry - Front (LHD) .....	163
Keyless entry - Front (RHD) .....	164
Keyless entry - Rear .....	165
Keyless entry - Antennae .....	166
Front dead locks .....	167
Trunk and fuel flap .....	168
Front power locks .....	169
Rear dead locks .....	170
Rear power locks .....	171



---

<b>501-16 - WIPERS AND WASHERS</b>	172
.....	.....
<b>501-17 - ROOF OPENING PANEL</b>	
Roof opening panel and sun blind .....	173
<b>501-20A - SAFETY BELT SYSTEM</b>	
.....	174
<b>501-20B - SUPPLEMENTAL RESTRAINT SYSTEM</b>	
LHD .....	175
RHD .....	176
Passenger air bag deactivation .....	177
<b>501-20C - PEDESTRIAN PROTECTION SYSTEM</b>	
.....	178

# ABBREVIATIONS

Abbreviation	Description
ABS	Anti-lock braking system
AFS	Adaptive front lighting system
AMP	Audio amplifier
AUTO	Automatic transmission
BSM	Blind spot monitoring
CAN	Controller area network
DAB	Digital audio broadcasting
DSC	Dynamic stability control
D4	Diesel engine - Straight-four
DPF	Diesel particulate filter
DV6	Diesel engine - V6
DV8	Diesel engine - V8
EGR	Exhaust gas recirculation
EMS	Engine management system
ETS	Electronic transmission shift
FET	Field effect transistor
GPS	Global positioning system
HID	High intensity discharge
HS CAN	High speed controller area network bus
IC	Instrument cluster
IP	Instrument panel
PV6	Petrol engine - V6
PV8	Petrol engine - V8
PV8NA	Naturally aspirated engine - V8
PV8SC	Super charged engine - V8
LH	Left-hand
LIN	Local interconnect network
MAF/IAT	Mass air flow / intake air temperature
MS CAN	Medium speed controller area network bus
MMM	Navigation system module
N/A	Normally aspirated
NAS	North American specification
PDC	Park distance control
RF	Radio frequency
RH	Right-hand
SAI	Secondary air injection
SCL	Steering column locking
SDARS	Satellite digital audio receiver system
TPMS	Tire pressure monitoring system
TSD	Touch screen display
TV	Television

## **Health and safety**

Always follow health and safety guidelines, specifically those detailed in the Workshop Manual.

## **Using this publication**

The information provided in this publication is for use only by competent, qualified auto-electricians. Good product knowledge is assumed, as well as the ability to access and use recommended test equipment and other reference material provided.

### ***Test equipment and other reference material***

The information in this publication should be used in conjunction with the recommended test equipment; refer to Workshop Manual. Other reference material includes: Technical Service Bulletins (TSB) and the Workshop Manual.

The Electrical Reference Library (ERL) may also prove useful since it provides detailed connector information.

### ***Battery disconnection and reconnection***

It is imperative that any information relating to battery disconnection and reconnection is followed; refer to the appropriate sections in the Workshop Manual.

### ***Fault Diagnosis***

Always use the recommended test equipment for correct and reliable fault diagnosis, refer to the Workshop Manual.

### ***Harness Repair***

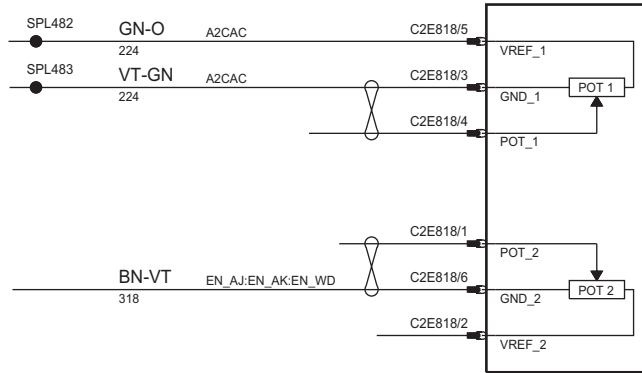
Repairs should only be undertaken for connectors where a Service Repair Kit is available; refer to the appropriate Electrical Reference Library (ERL).

**Note:** Fibre Optic circuits cannot be repaired; refer to the Workshop Manual.

## Section numbering

The sections in this publication are ordered to match the Global Outline numbering system as found in the current Workshop Manual. The Power and Ground distribution circuits can be found under section 414-01, BATTERY, MOUNTING AND CABLES. **Note:** Where circuit diagrams show more than one sub-system, the circuit will be located in the section that carries the first-named sub-system, for example: Starting and Charging will be located under section 303-06 Starting System, since 'Starting' is the first-named sub-system.

## Understanding the circuit diagrams



### Connectors, Ground and Splices

Harnesses for the vehicle originate from a variety of different sources and therefore the connector nomenclature is inconsistent.

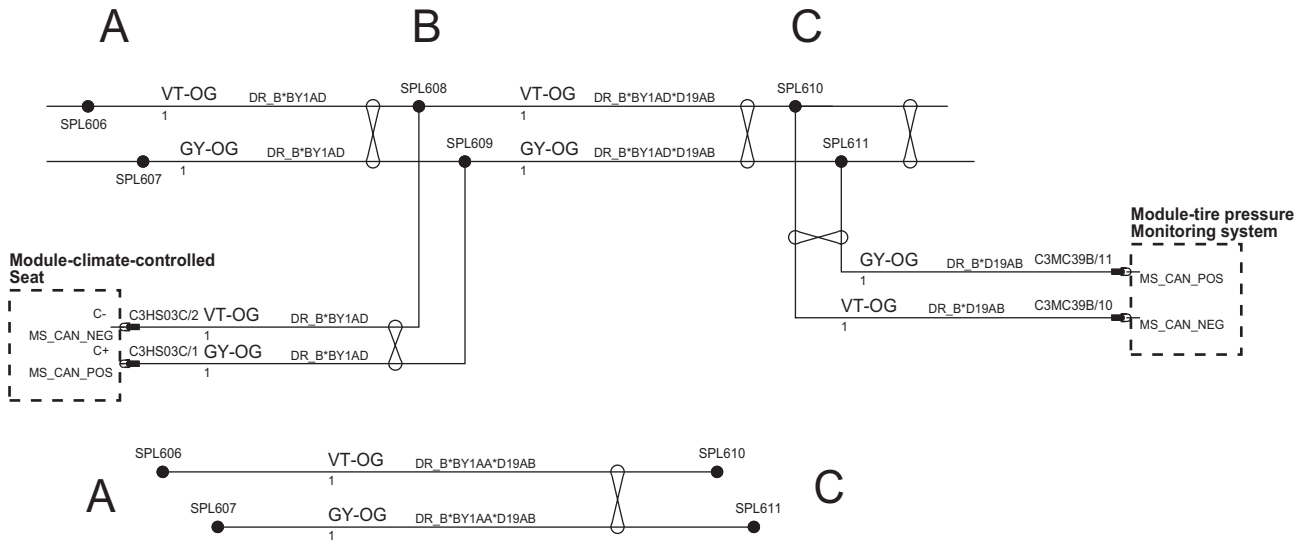
### Wire Length

Wire length (where stated) are in millimeters and appear directly below the color code for each wire.

### Twisted Wires

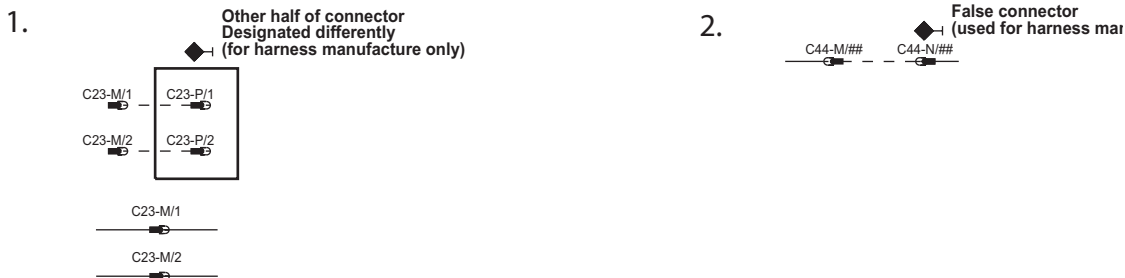
The 'figure-of-eight' symbol indicates that wires are twisted together.

### By-pass Wires



Vehicles are customized to suit market or customer selected options. To reduce the number of circuits drawn, by-pass wires are shown. By-pass wires are identified by large, upper case letters designed to correspond with the alternative connection arrangement; refer to above figure.

**Connector Designation**



1. Certain connectors have been drawn for harness manufacturing purposes only. The left-hand half of the connector is always used, the dotted line to the right followed by a second, designated connector is a dummy half and therefore can be ignored.

2. Other connectors identified as False are also drawn for harness manufacturing purposely, these connectors do not appear in the vehicle at all and therefore should be ignored.

**Control Module Pins**

B+	Battery voltage
C-	CAN negative
C+	CAN positive
D	Data
GND	Ground
GRES	Sensor / signal ground **
IP	Input signal
LIN	Local interconnect network
MOST_RX	MOST receive
MOST_TX	MOST transmit
NEG	Negative
OP	Output signal
P	Power ground
POS	Positive
PWR	Power
SW	Switch
VBATT	Battery voltage
VREF	Sensor / signal supply V *

\*May also indicate Reference Voltage.

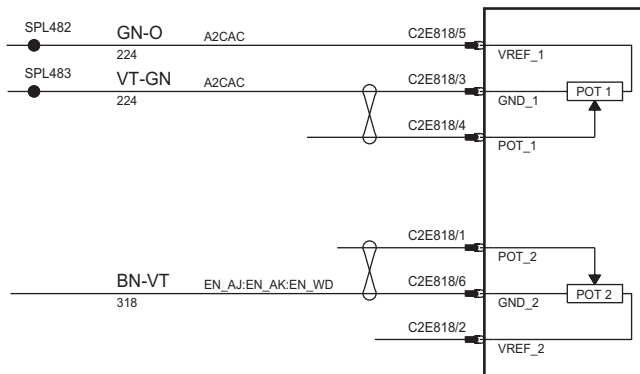
\*\*May also indicate Reference Ground or Logic Ground.

**Wiring Colour Codes**

CODE	COLOUR
BK	BLACK
BN	BROWN
BU	BLUE
GN	GREEN
GY	GREY
OG	ORANGE
PK	PINK
RD	RED
VT	PURPLE
WH	WHITE
YE	YELLOW

# USING THIS PUBLICATION

## Option Code



A code identifying an optional wiring arrangement, for example KBYAA, may be allocated to certain wires; refer to the Option Code Table. The asterisk (\*) represents 'and'; the colon (:) represents 'or'; for example:

IEFAB\*RHD:IF9AB\*RHD:IEFAB\*IF9AB\*RHD, represents:

phone and right-hand drive or voice and right-hand drive or phone and voice and right-hand drive.

## Option Code Table

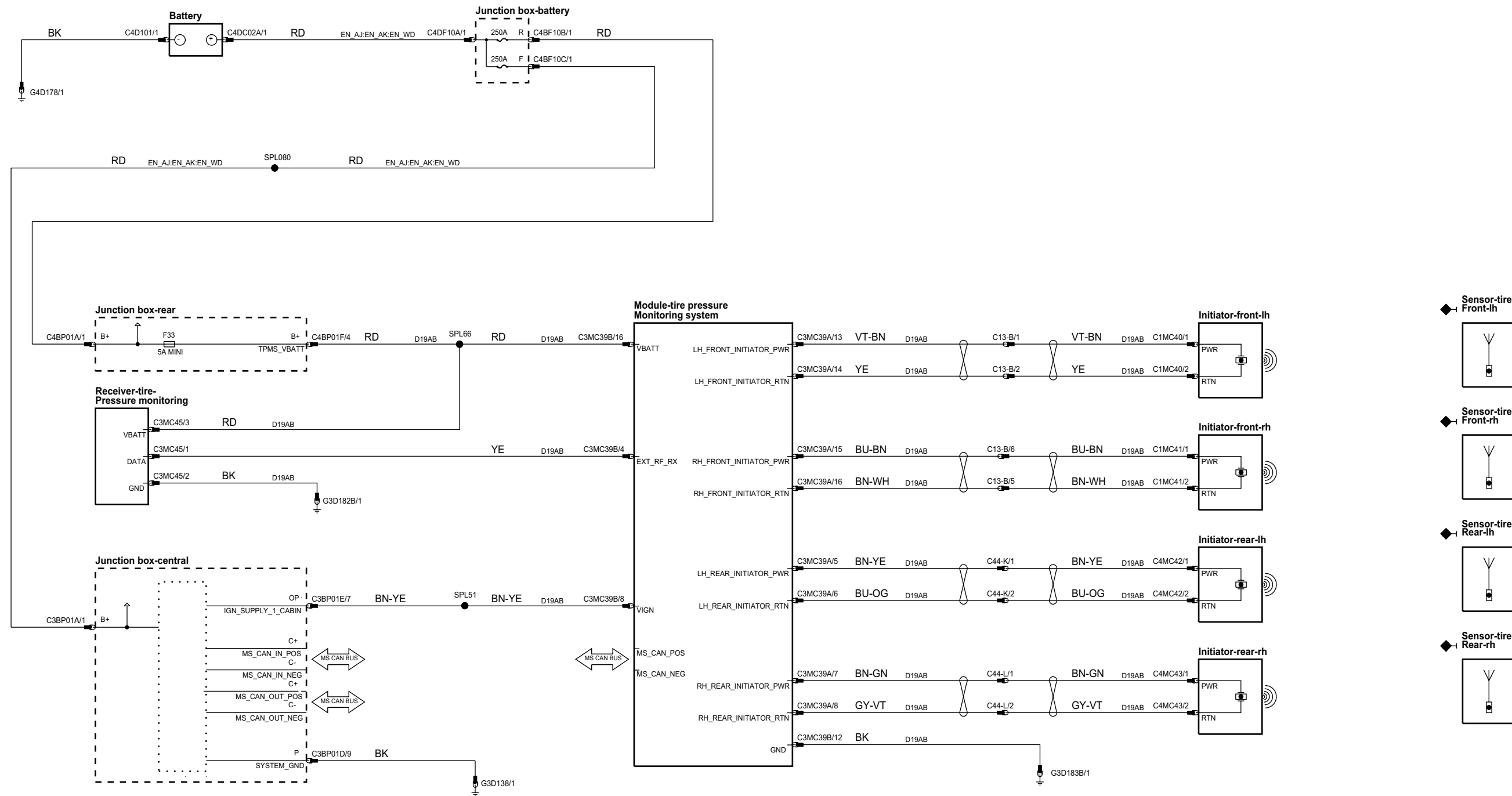
Cct	Vehicle Option or Feature
A2CAA	without secondary air injection
A2CAB	secondary air injection
A2CAC	secondary air injection map sensor
A2EAA	without USB
A2EAB	USB
A3RAA	without deployable bonnet
A3RAB	deployable bonnet
B3MAB	heated front screen
BDAAD	power rear sunblind
BSBAF	electrochromic interior mirror
BSHDF	fold back mirrors
BY1AA	without heated seats
BY1AC	heated seats
BY1AD	heated & cooled seats
BYPAM	10way drivers seat movement
BYPAN	16way drivers seat movement
BYQAH	12way passengers seat movement
BYRAA	without programmable drivers seat
BYRAB	programmable drivers seat
CBAAB	power door locks
CBAAD	power dead locks
CBGAG	keyless entry
CBGAJ	without keyless entry
CFKAB	headlamp washer
CHAAL	power tilt/slide sunroof
CP5AB	beltminder
CP5AC	occupancy sensing
D19AA	without TPMS
D19AB	TPMS
DR_B	LHD
DR_D	RHD
DWMAA	without ADRC
DWMAB	ADRC
EM_N	ULEV 2 requirements
EN_A5	2.7L diesel engine
EN_AJ	4.2L V8 engine
EN_AK	4.2L SC engine

Cct	Vehicle Option or Feature
EN_WD	3.0 V6 engine
G1DAA	without smog sensor
G1DAB	smog sensor
GRBAA	without steering column lock
GRBAB	steering column lock
GTBAA	without heated steering wheel
GTBAB	heated steering wheel
GTDAB	speed control
GTDAD	adaptive stop/go speed control
HKCAA	without navigation
HKCAB	navigation
HKCAD	traffic master
HKCAF	VICS
HLLAA	without blindspot monitoring
HLLAC	blindspot monitoring
HNHAB	battery backed security siren
HNHAC	passive sounder
HNLAB	front parking aid
IBUAB	bluetooth phone
IBYAB	analog audio
IBYAC	digital audio
IBYAD	satellite digital audio
IDAAA	standard ice
IDAAB	premium ice
IDAAR	hi line ice
IESAA	without television
IESAB	television
IF9AB	voice activated controls
J3GAA	without electronic road pricing
J3GAB	electronic road pricing
J3KAA	without park aid camera
J3KAB	park aid camera
JBBAB	halogen headlamps
JBBAC	hid headlamps
JEAAC	automatic headlamp leveling
NO_EN_AK	without 4.2L SC engine
NO_SAIMAP	without secondary air injection map sensor

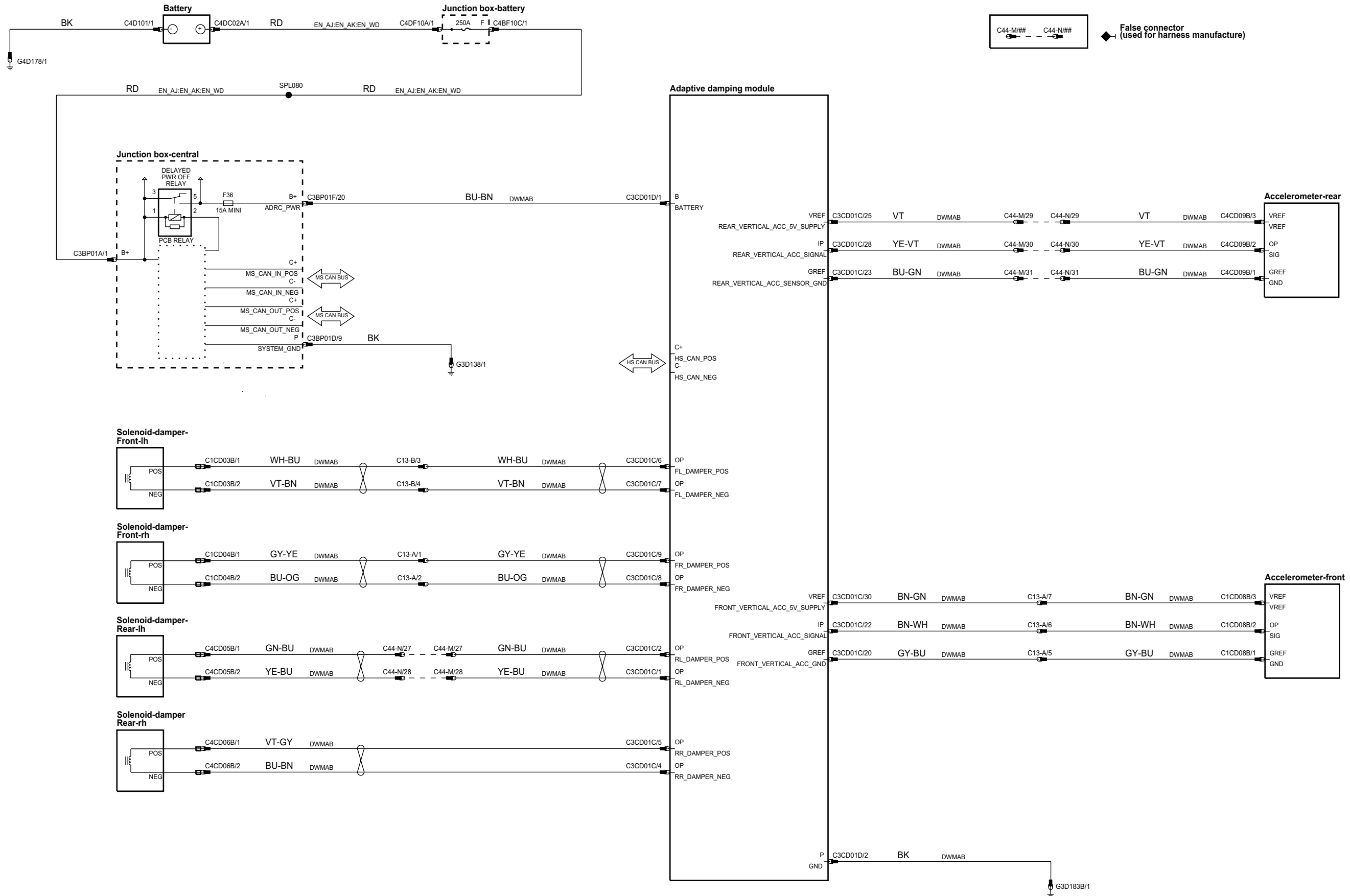




ph8r83-70267-a-af

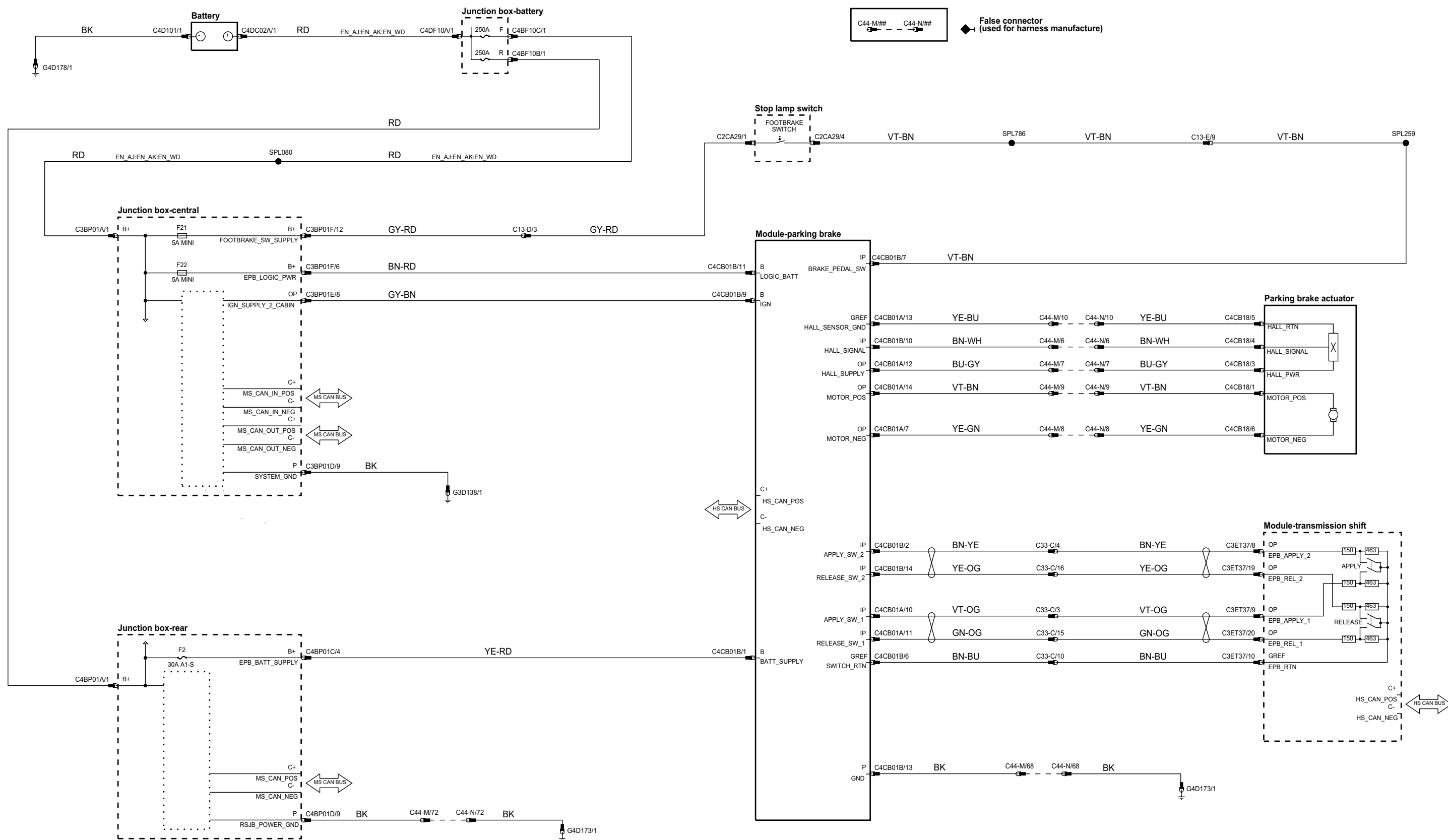


ph883-70180-a-af

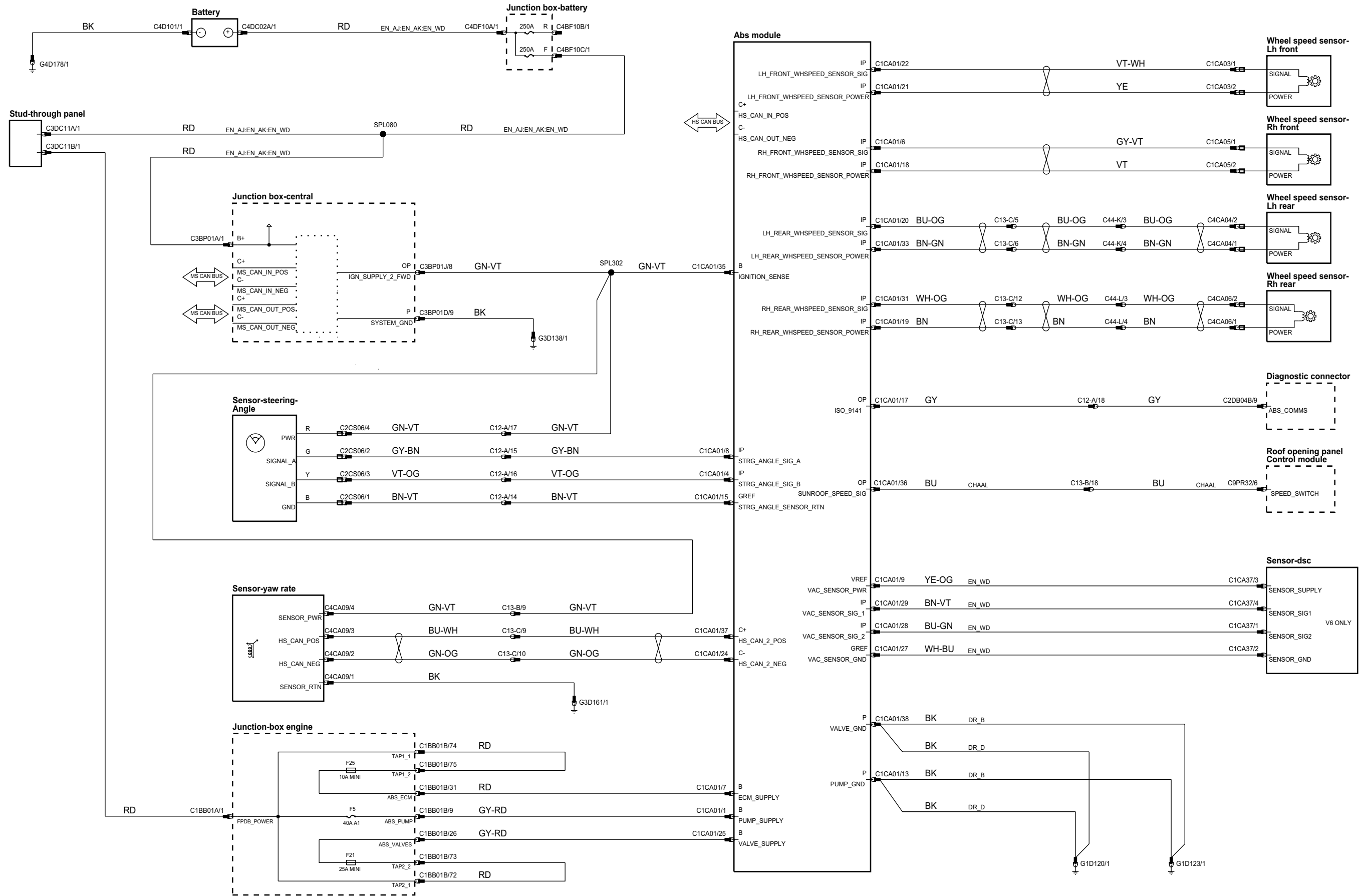


# 206-05 - PARKING BRAKE AND ACTUATION

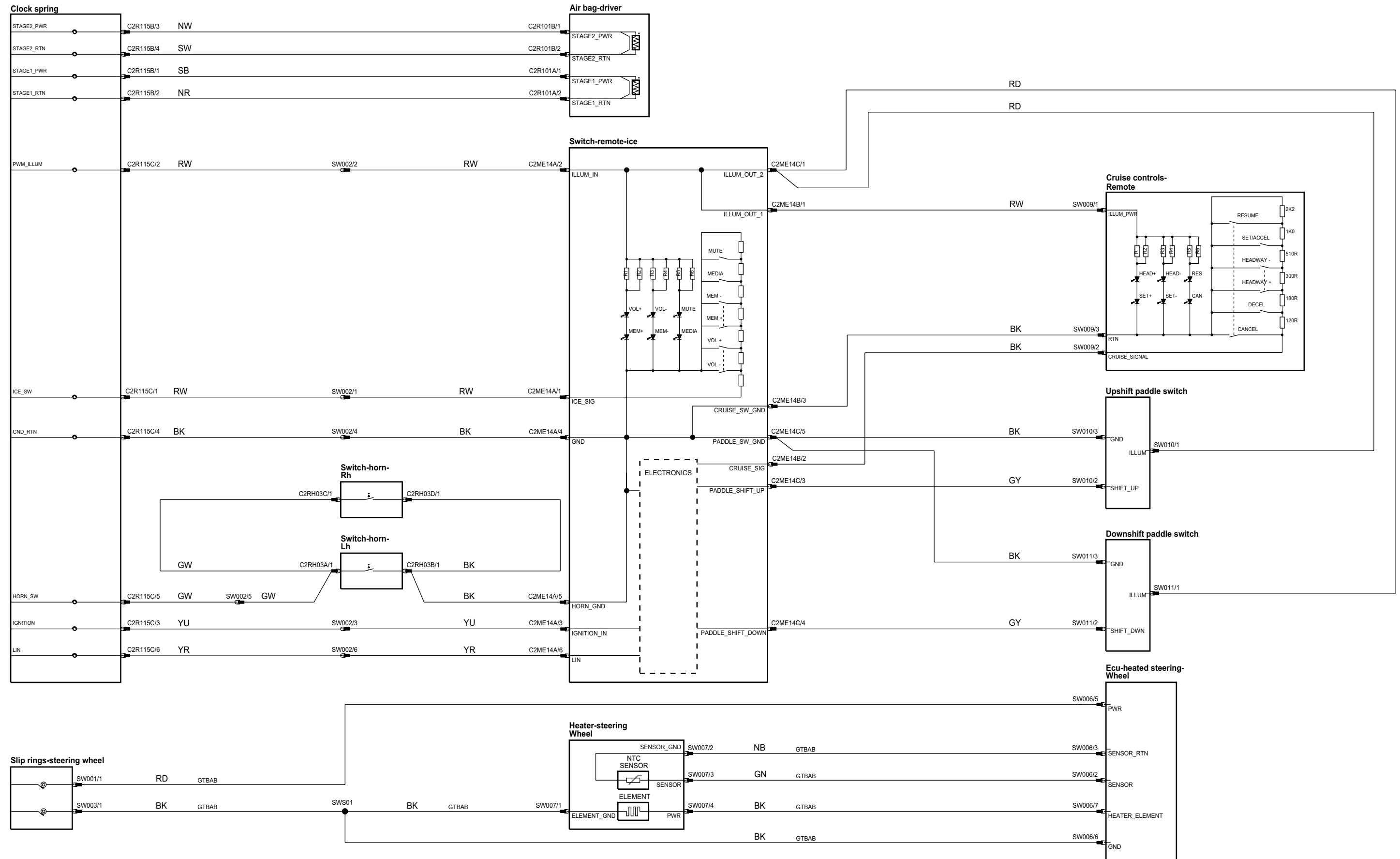
ph8/83-70167-a-af



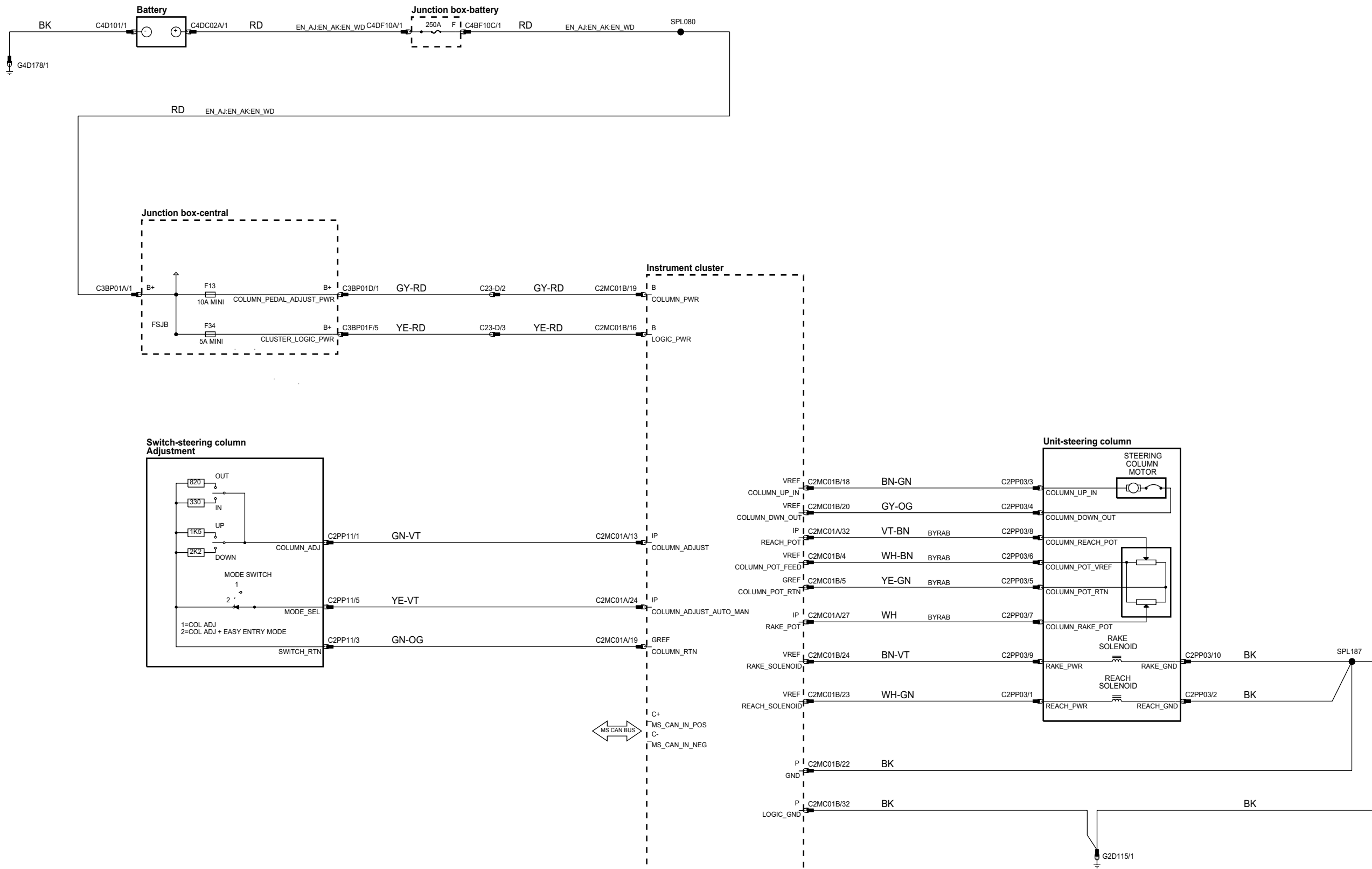
ph883-70165-a-af



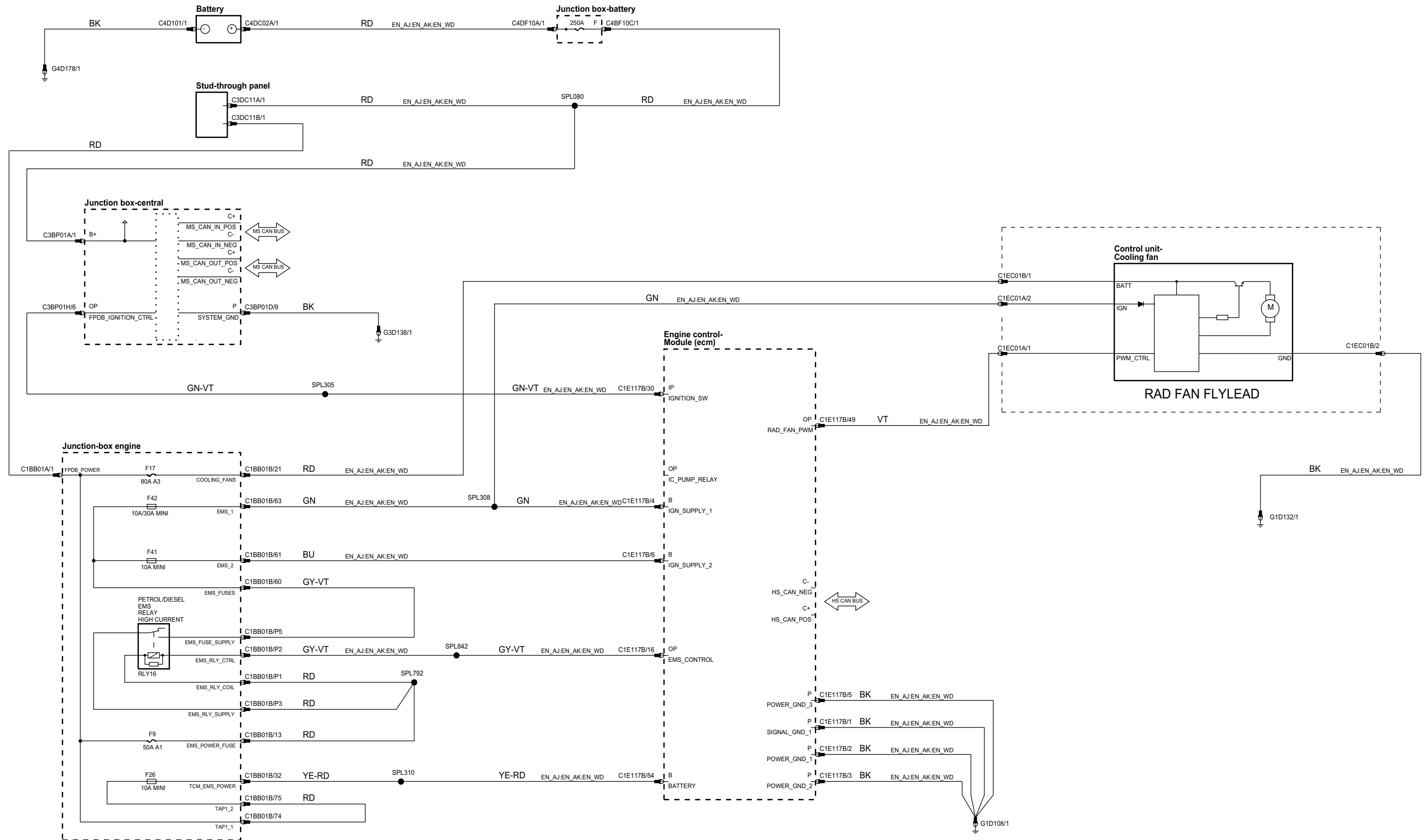
ph8/83-70170-a-af



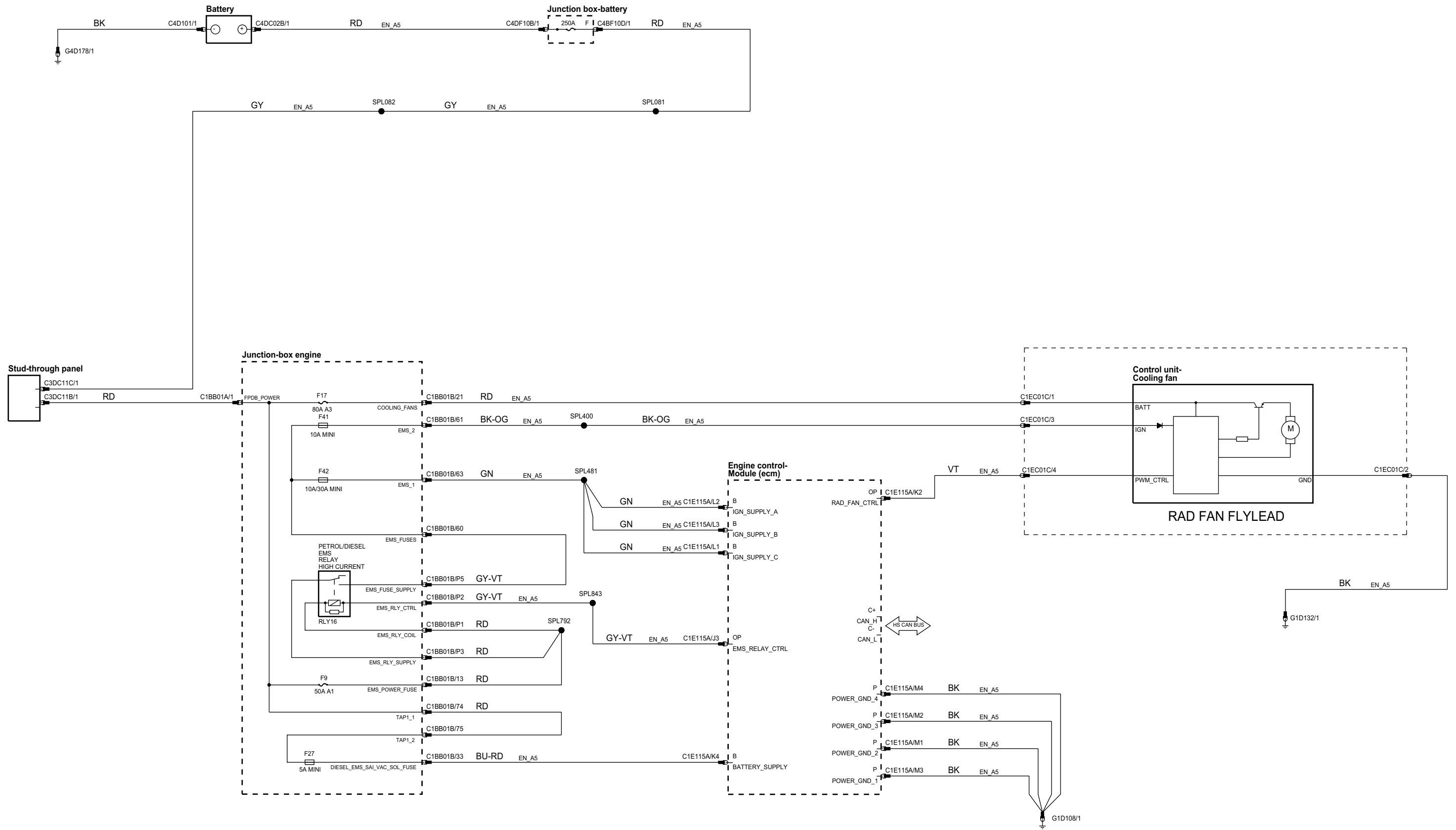
ph883-70360-a-af



ph8/83-70033-a-af

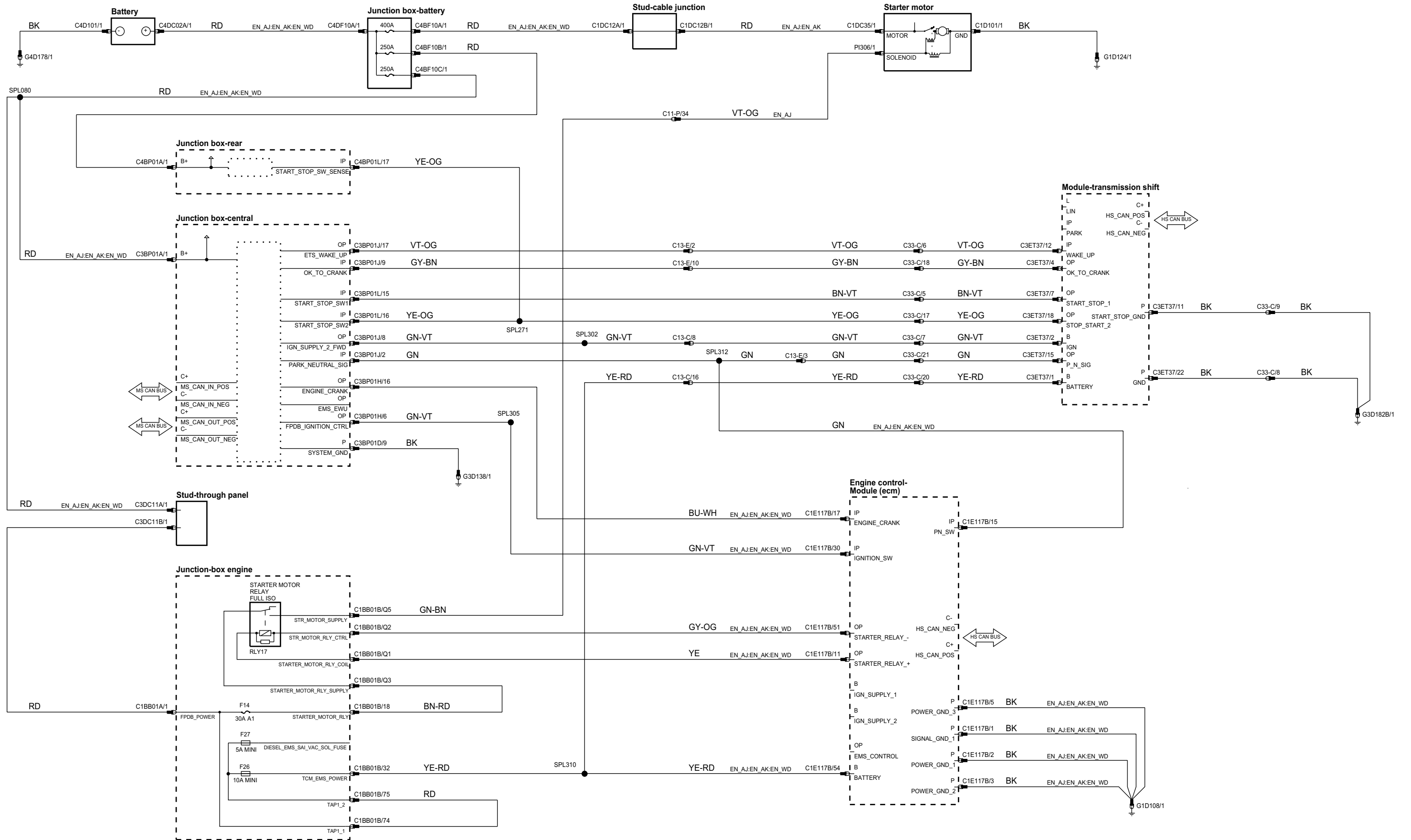


ph883-70033-d-af

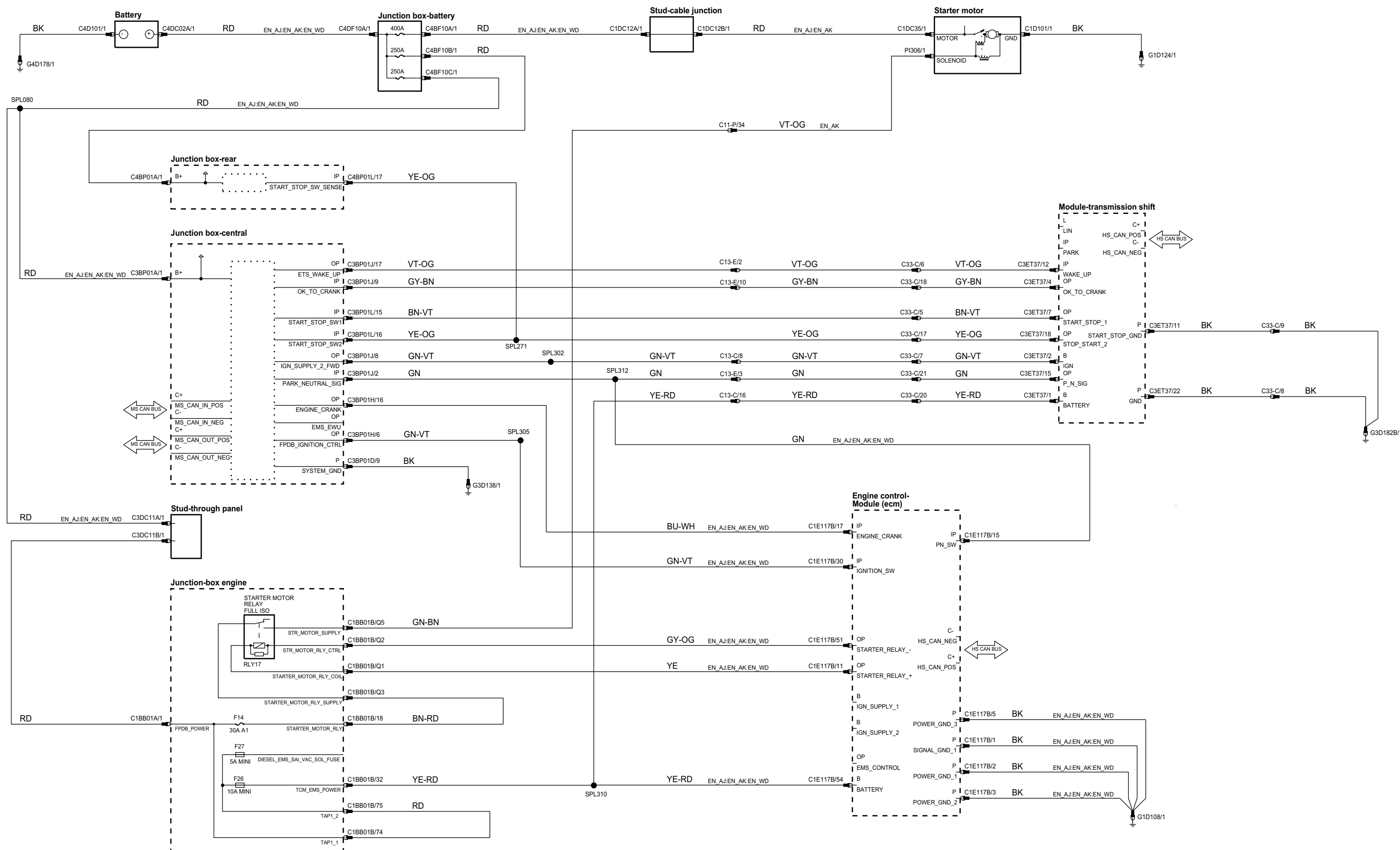




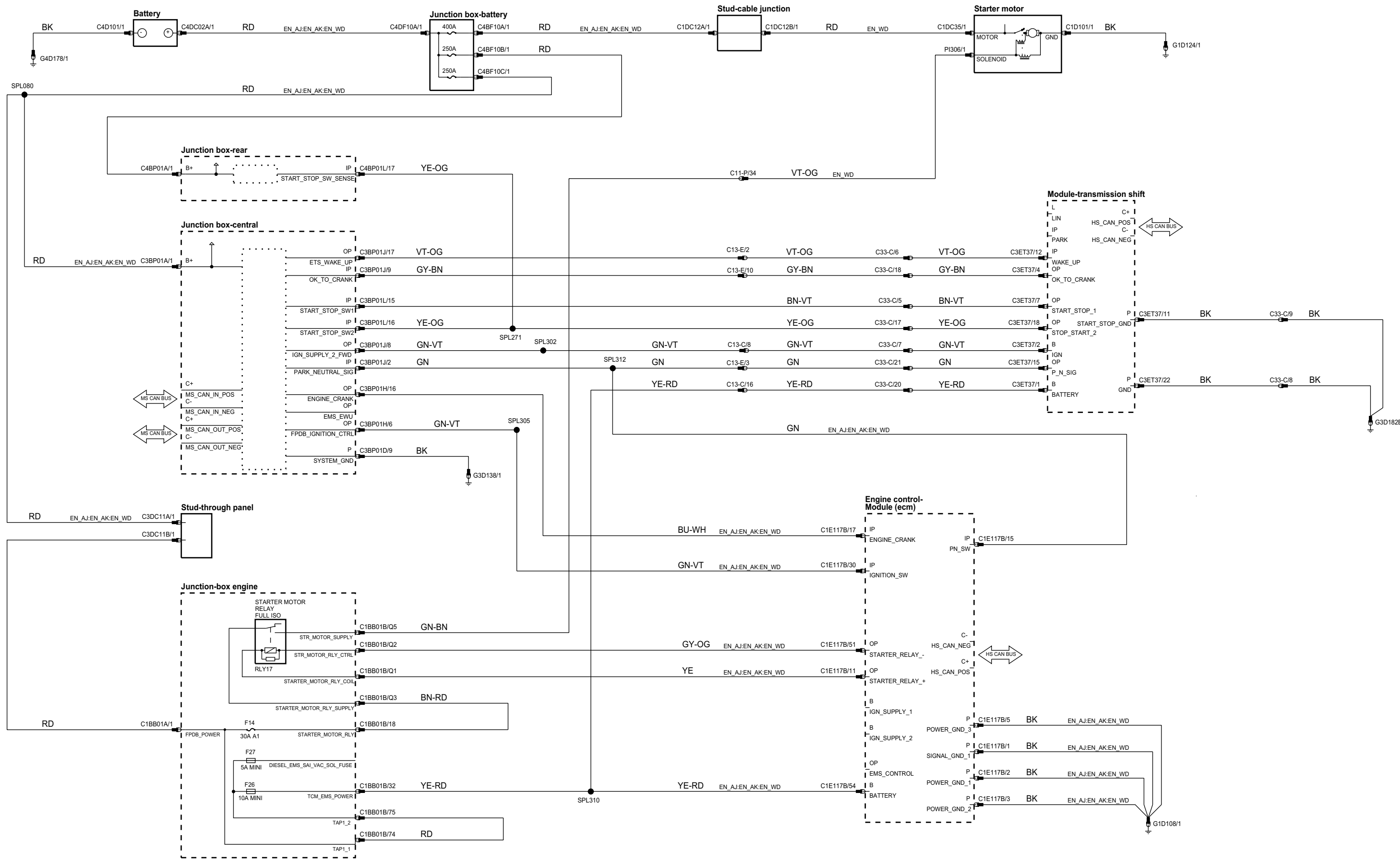
ph8/83-70021-a-af



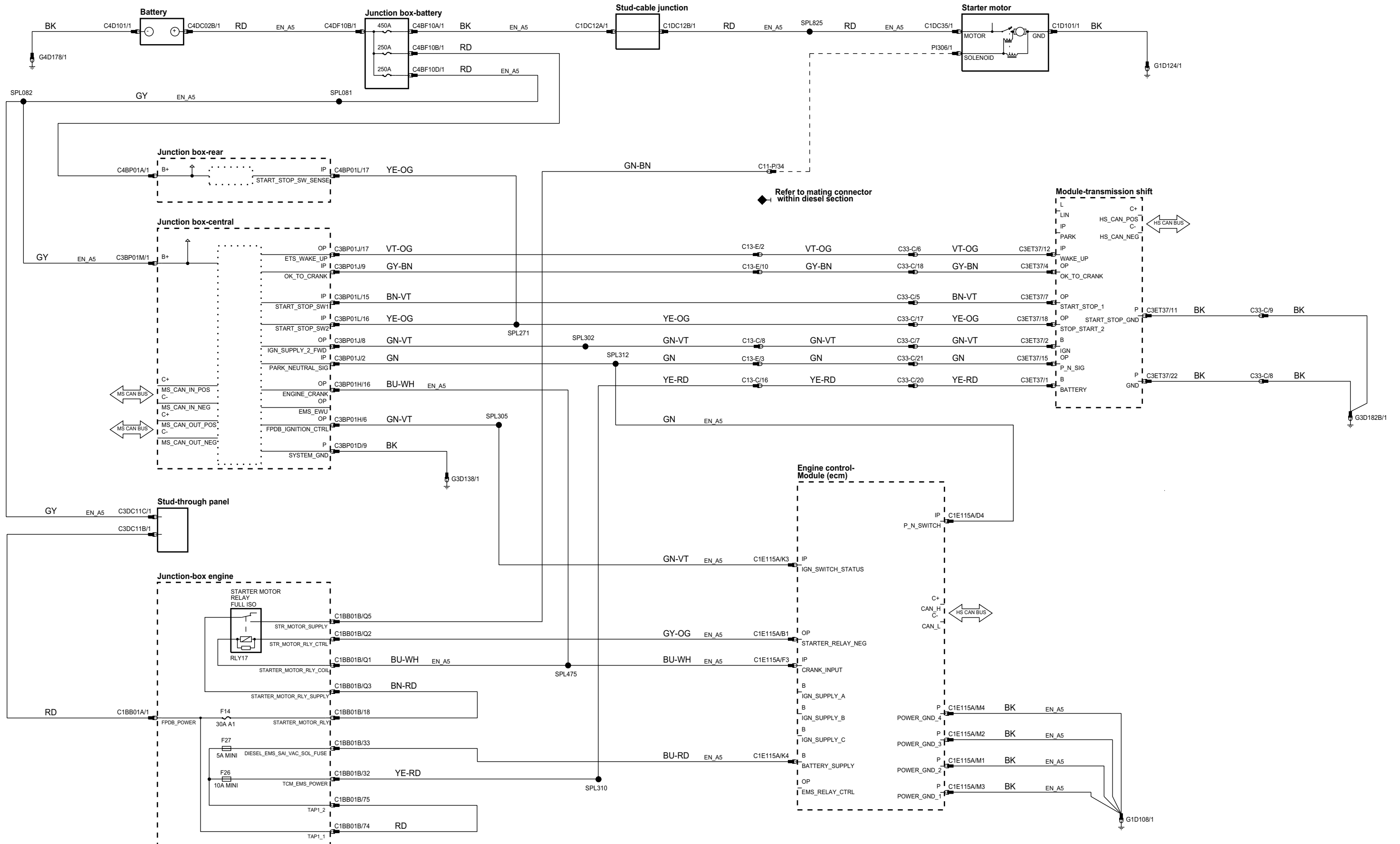
ph883-70021-b-af



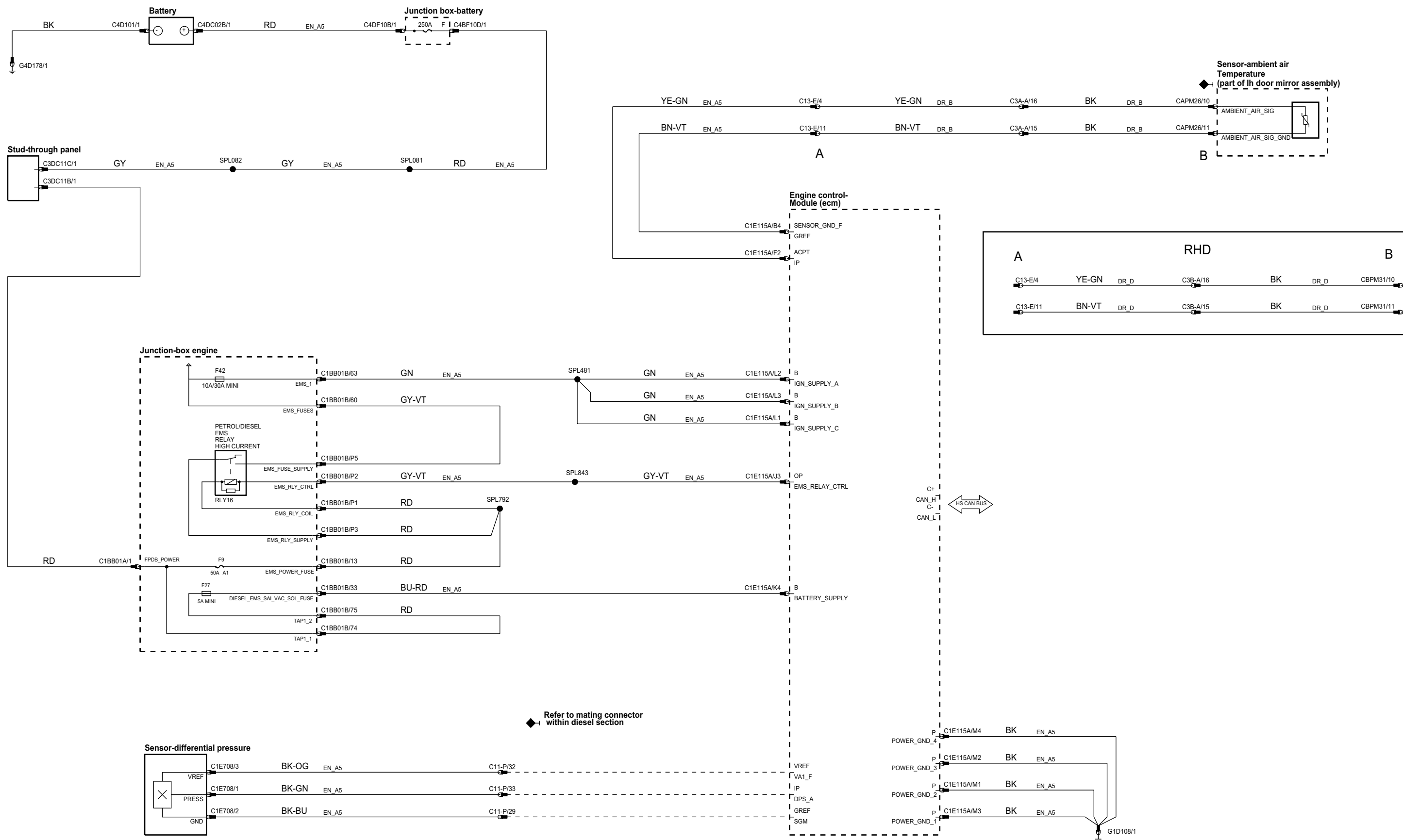
ph8r83-70021-c-af



ph883-70021-d-af



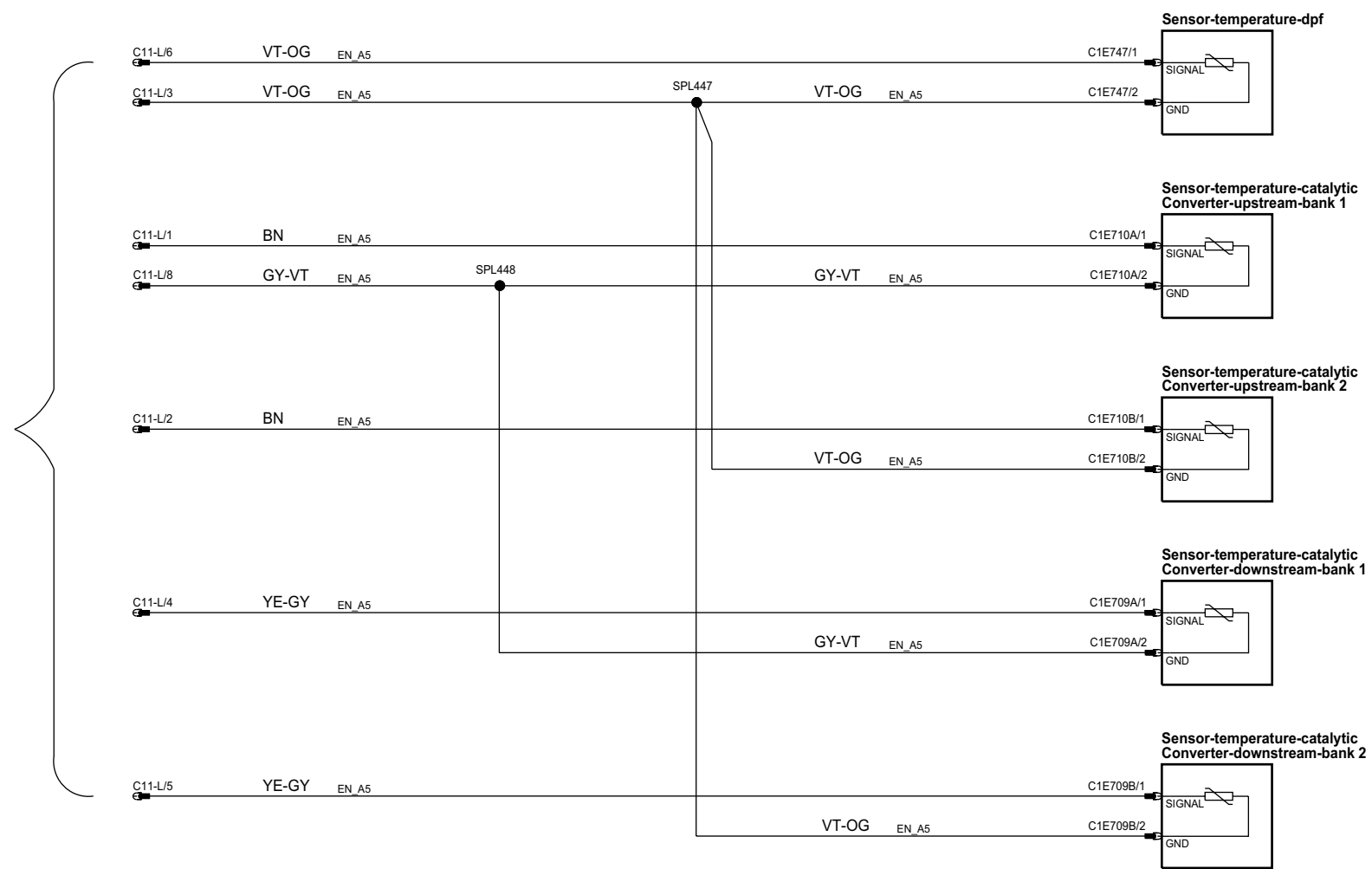
ph8/83-70034-d-af



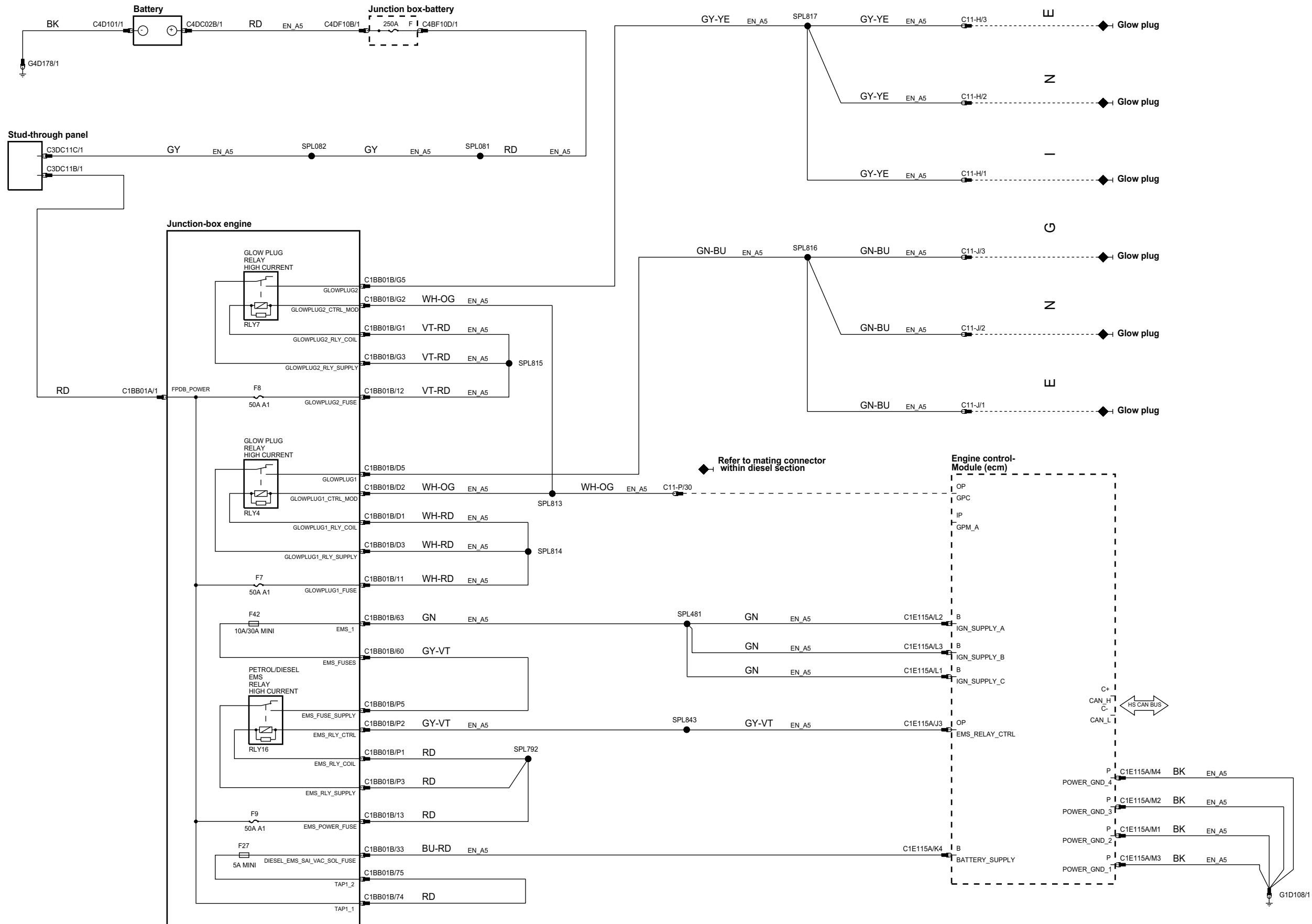
Refer to mating connector within diesel section

ph883-70035-d-af

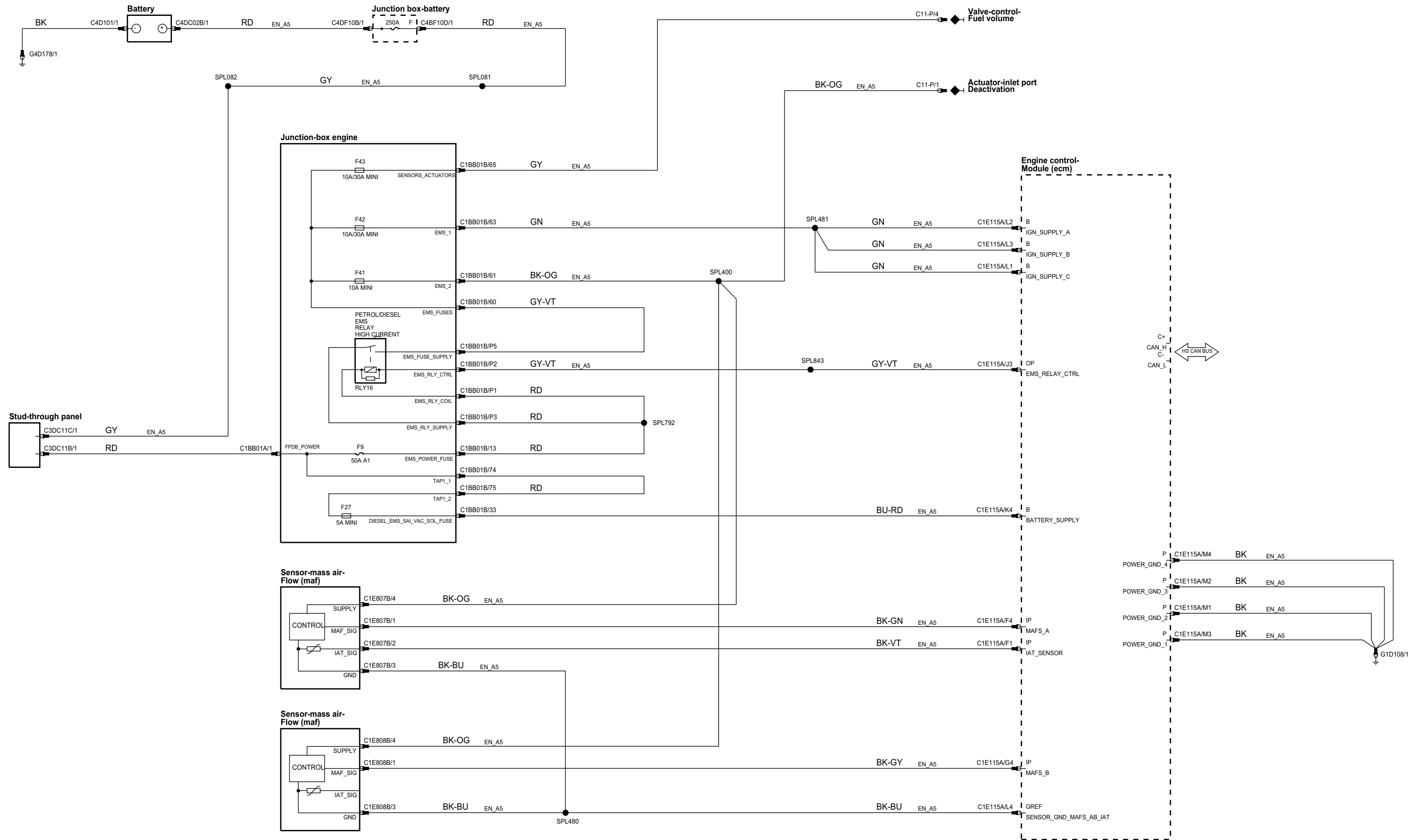
Refer to mating connector within diesel section



ph883-70037-d-af



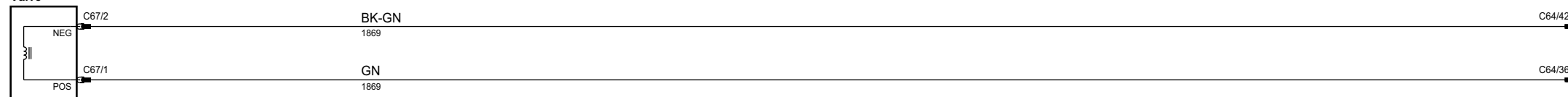
ph883-70038-d-af



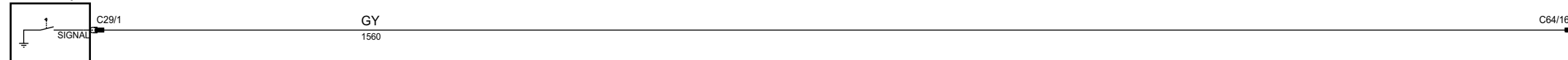


phajtd-70032-a

**Refrigerant solenoid Valve**



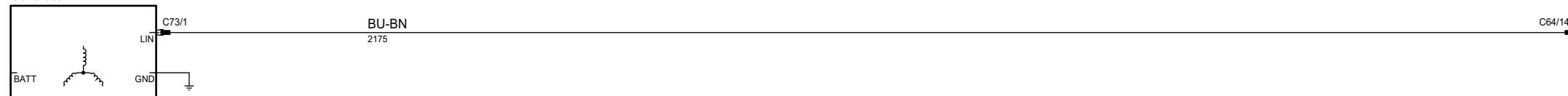
**Switch-oil pressure**



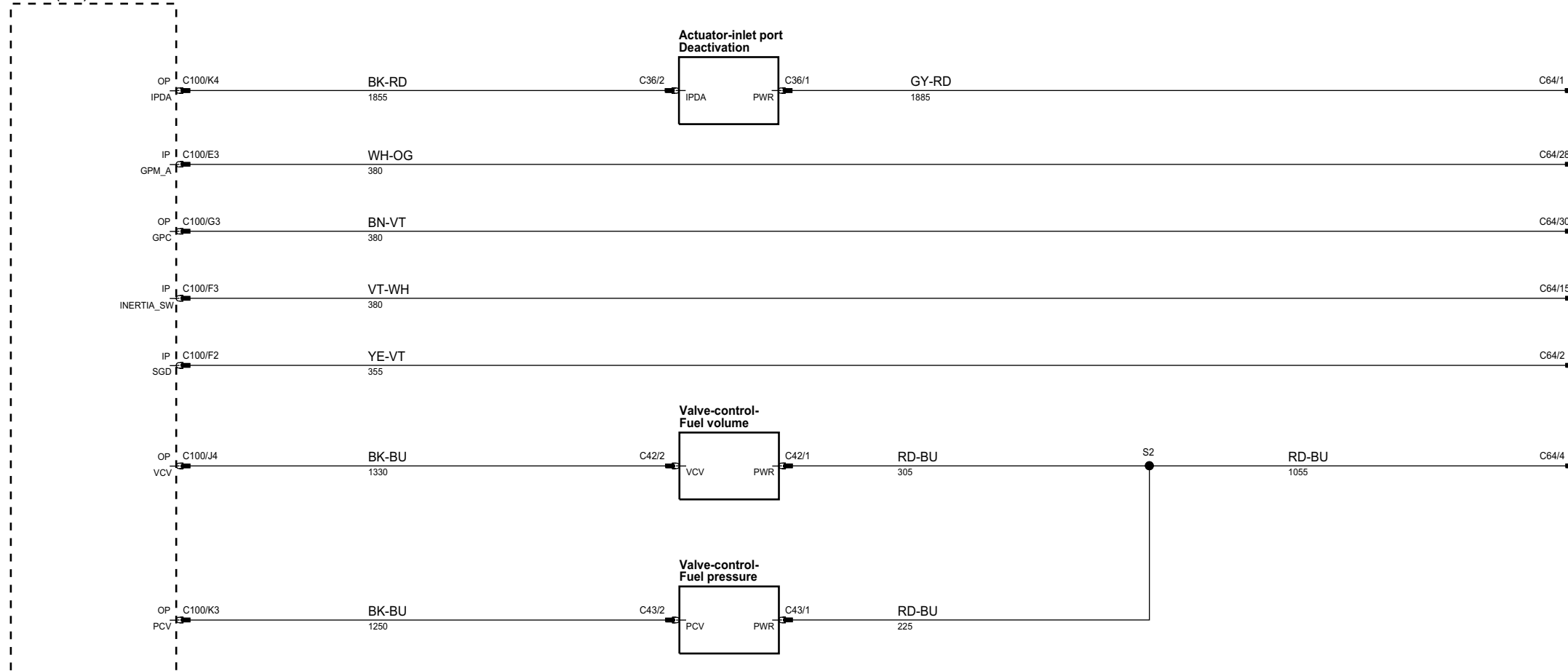
**Starter motor**



**Generator**

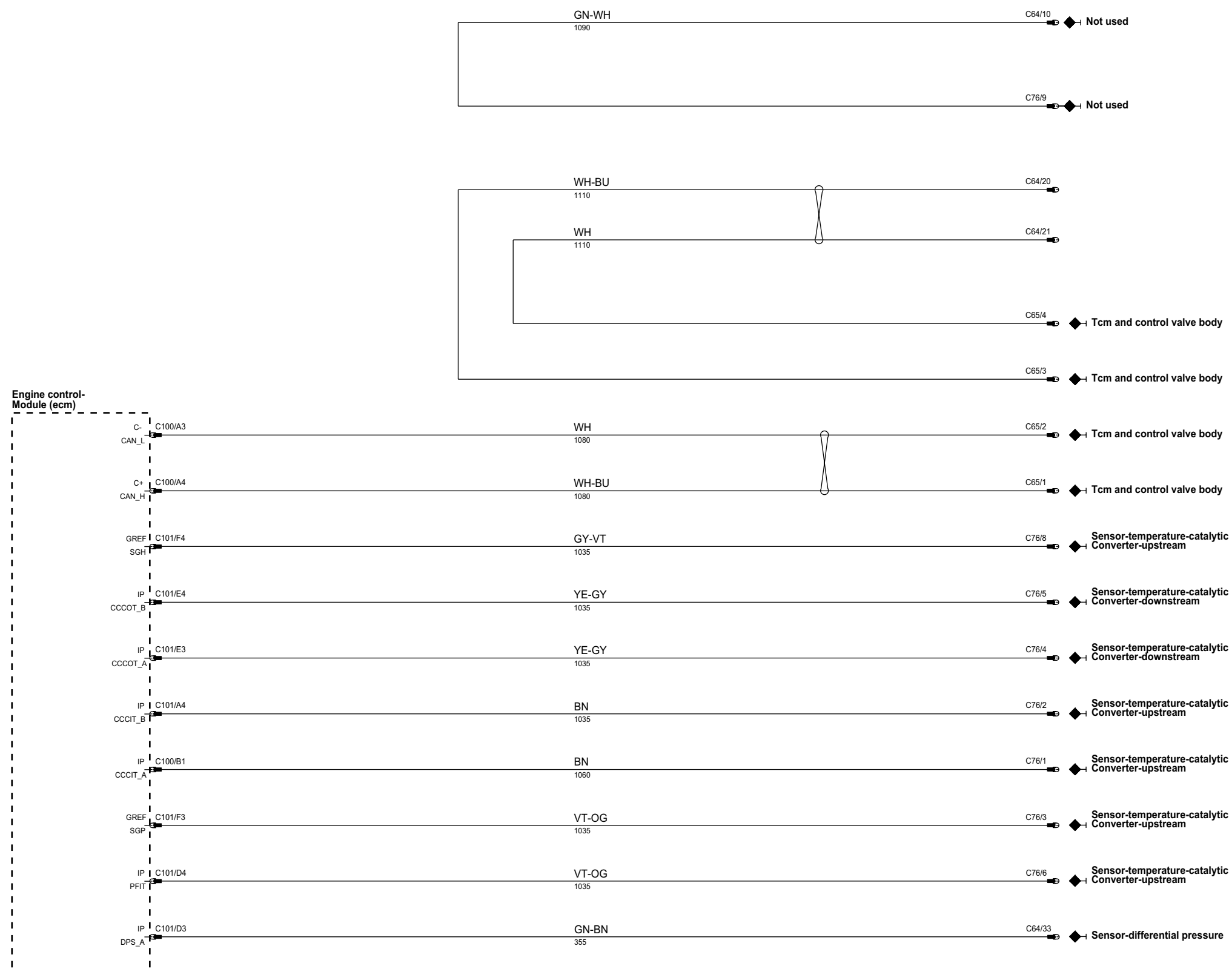


**Engine control-Module (ecm)**



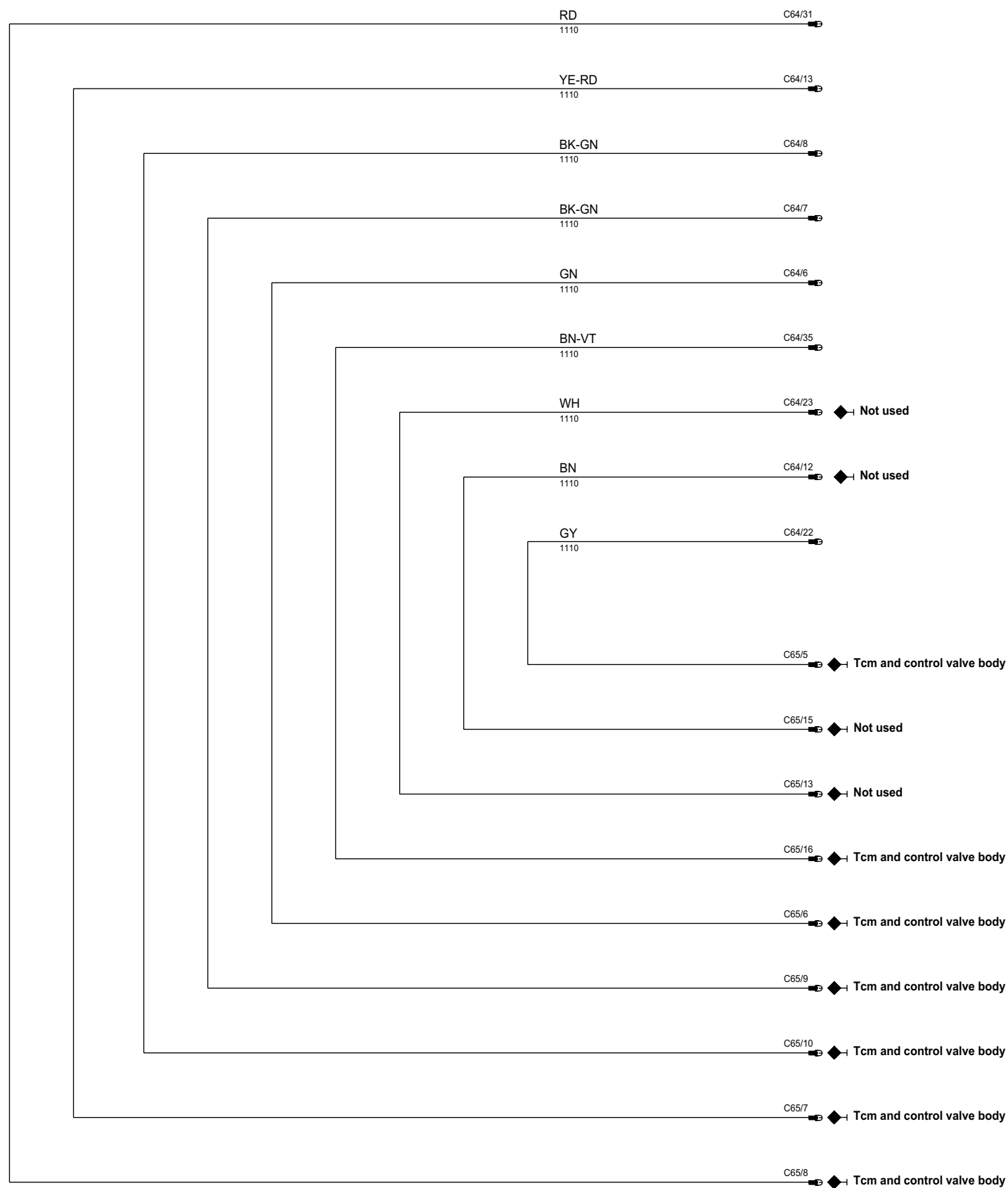
C64	>>>	C11-P
C65	>>>	C11-K
C76	>>>	C11-L

phajd-70032-b



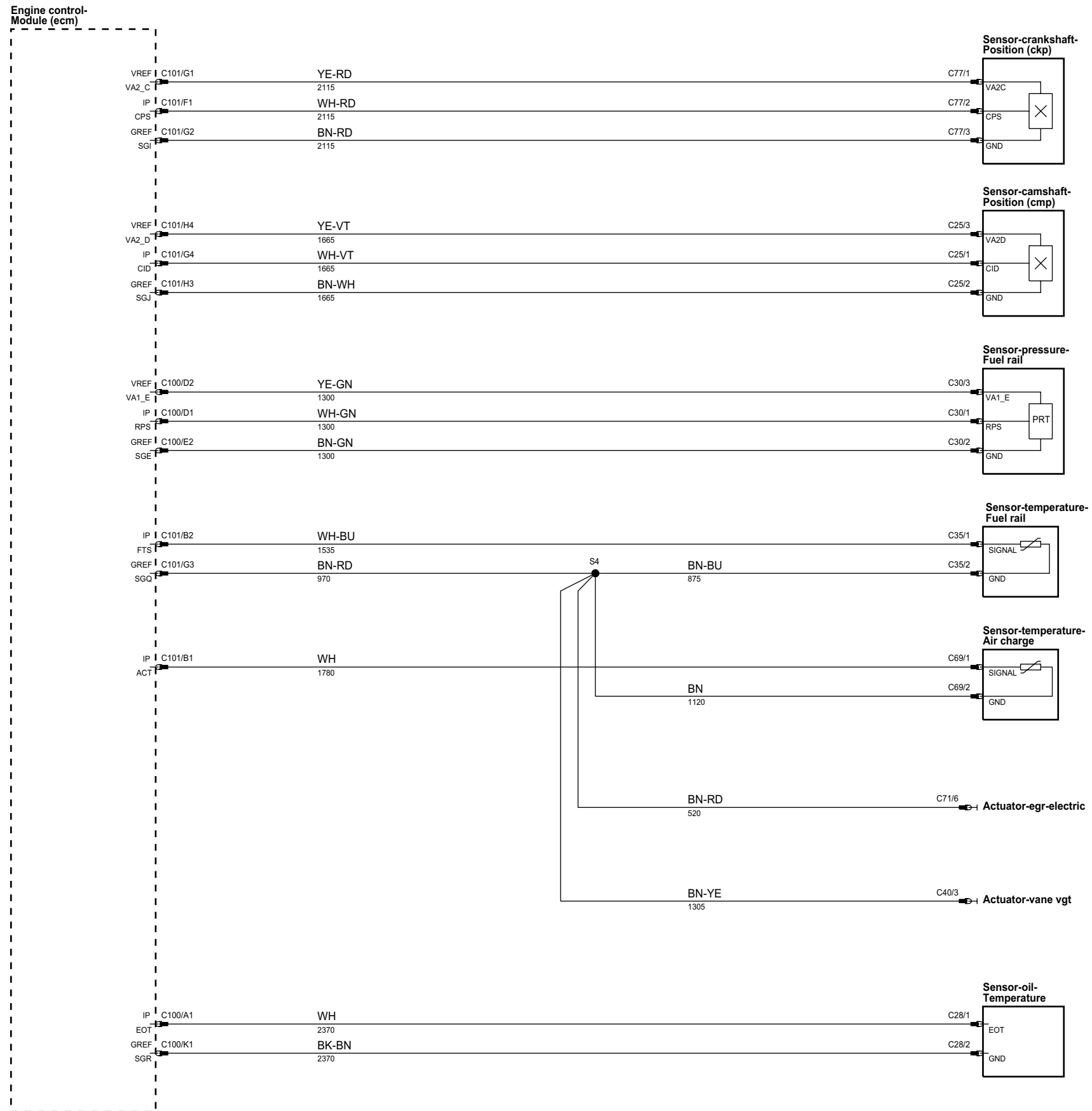
C64	>>>	C11-P
C65	>>>	C11-K
C76	>>>	C11-L

phajid-70032-c



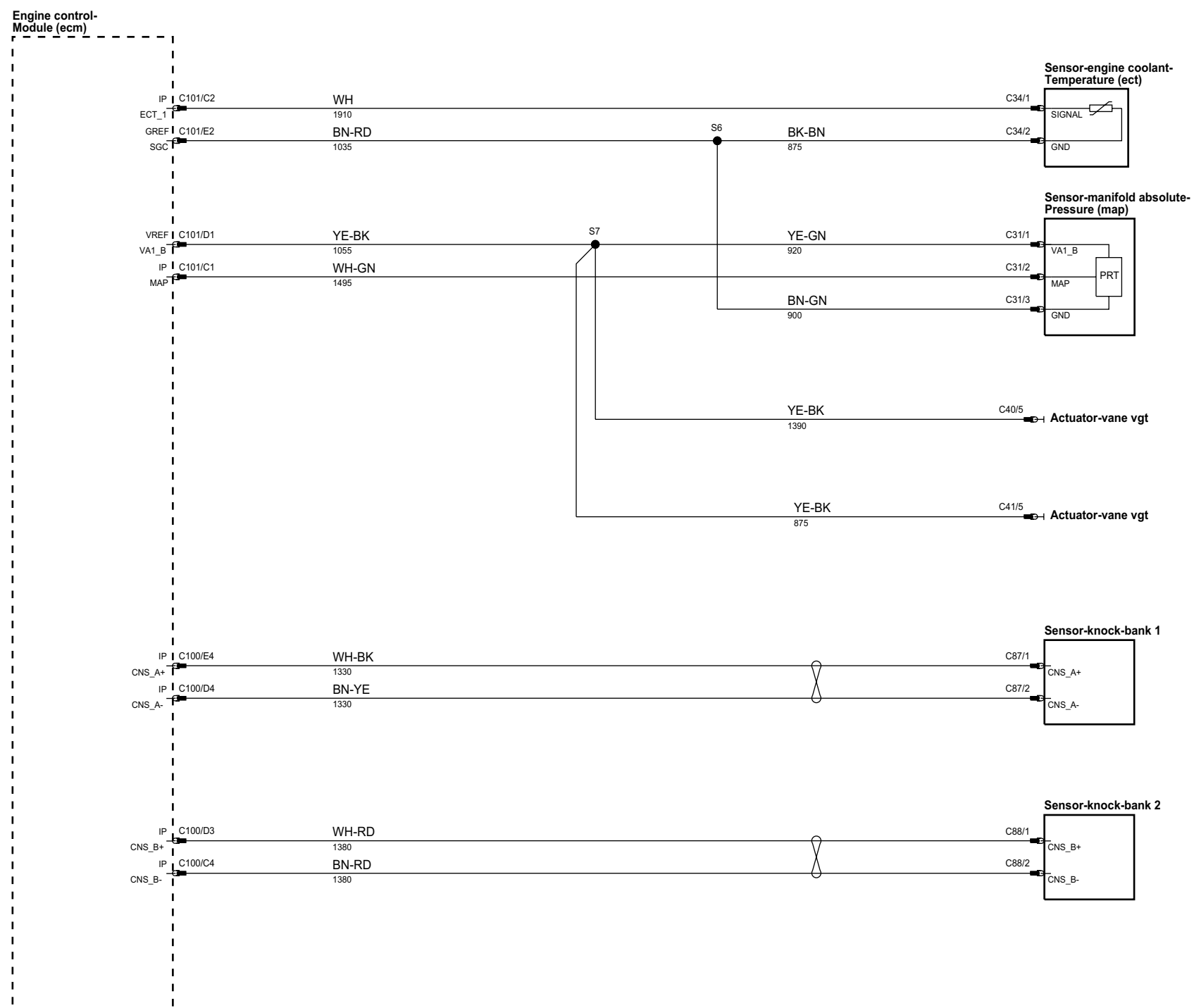
C64	>>>	C11-P
C65	>>>	C11-K
C76	>>>	C11-L

phajtd-70034-a



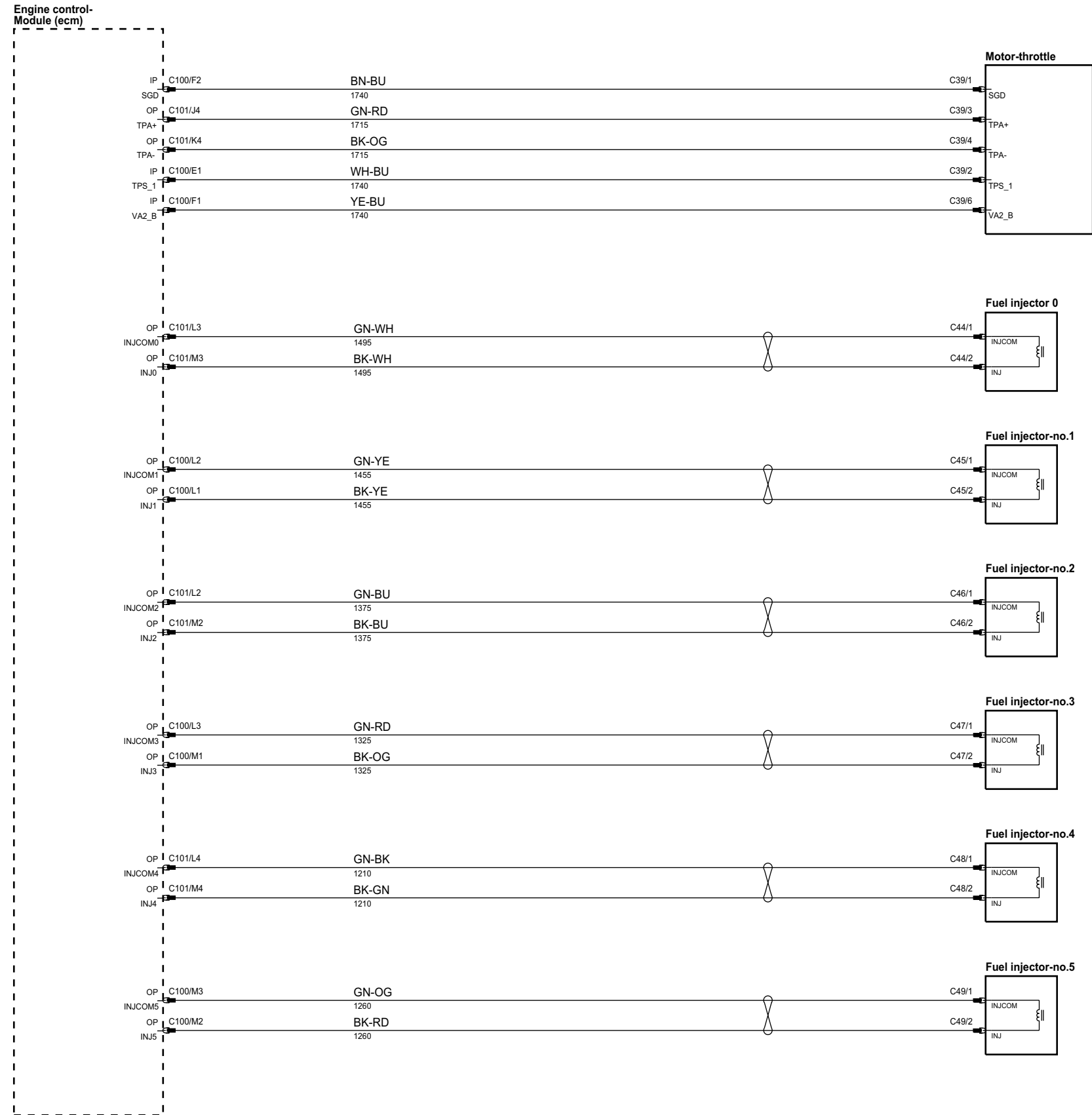
C64	>>>	C11-P
C65	>>>	C11-K
C76	>>>	C11-L

phajtd-70034-b



C64	>>>	C11-P
C65	>>>	C11-K
C76	>>>	C11-L

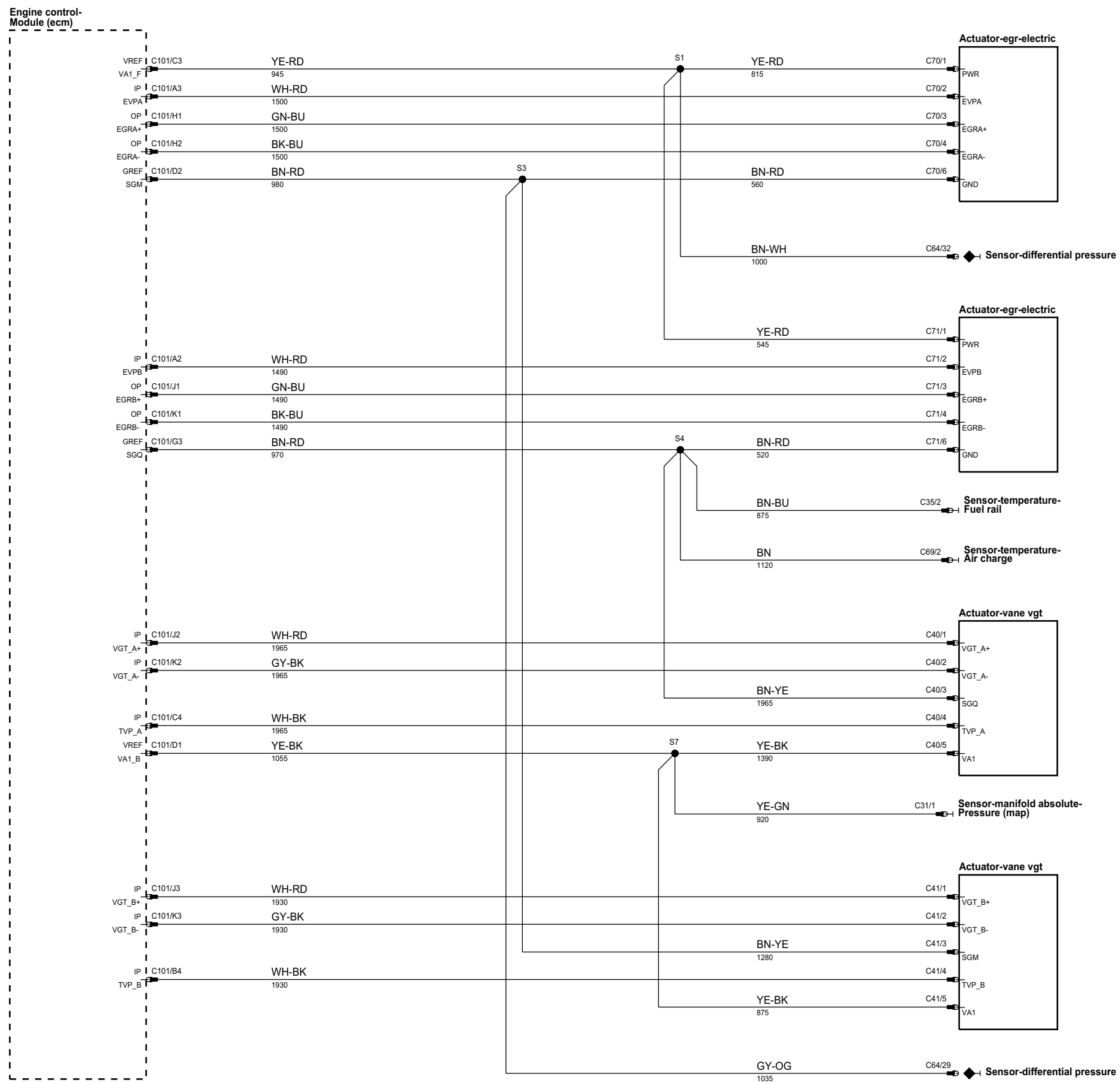
phajtd-70038-a



C64	>>>	C11-P
C65	>>>	C11-K
C76	>>>	C11-L

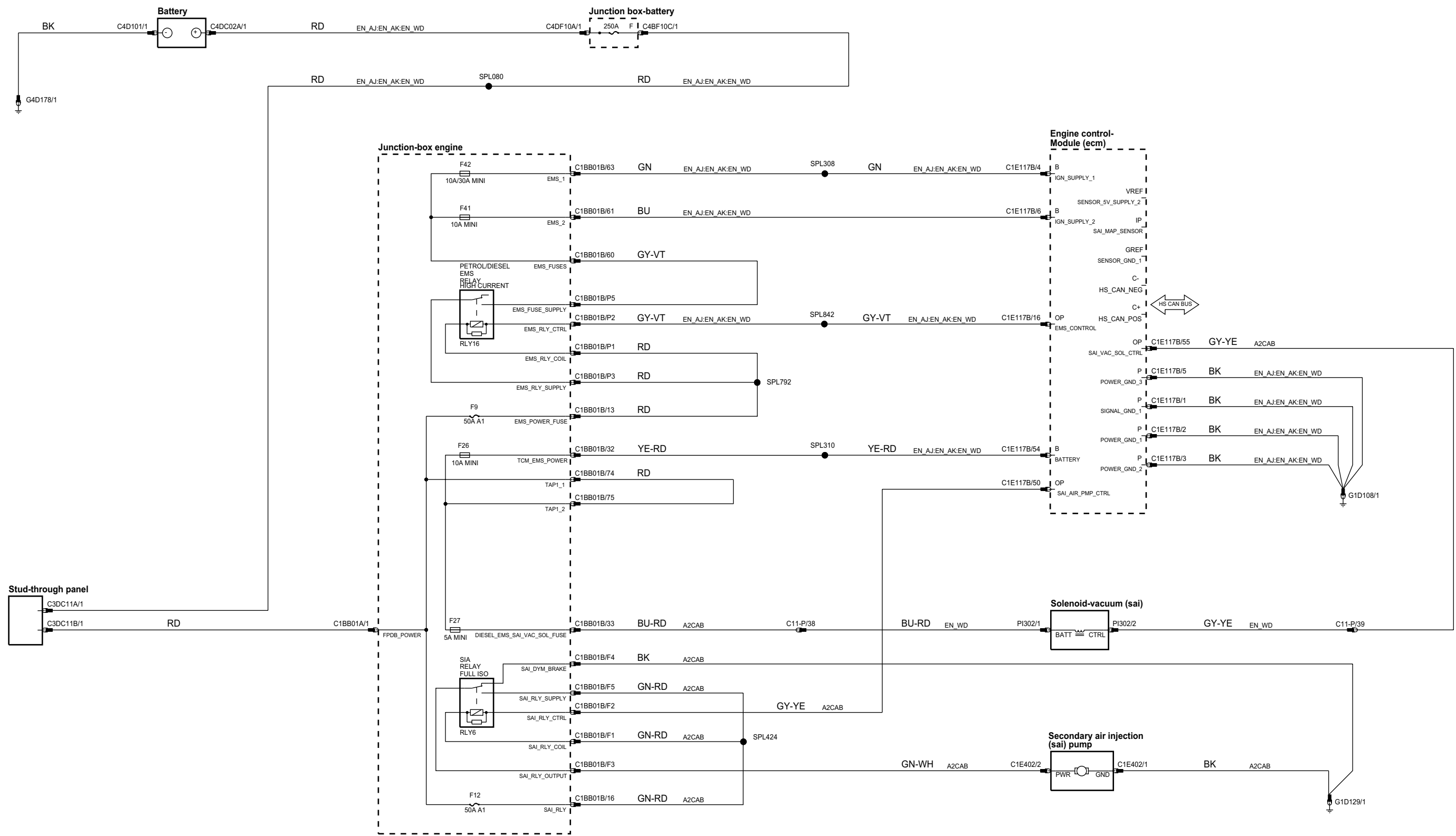
x

phajtd-70038-b



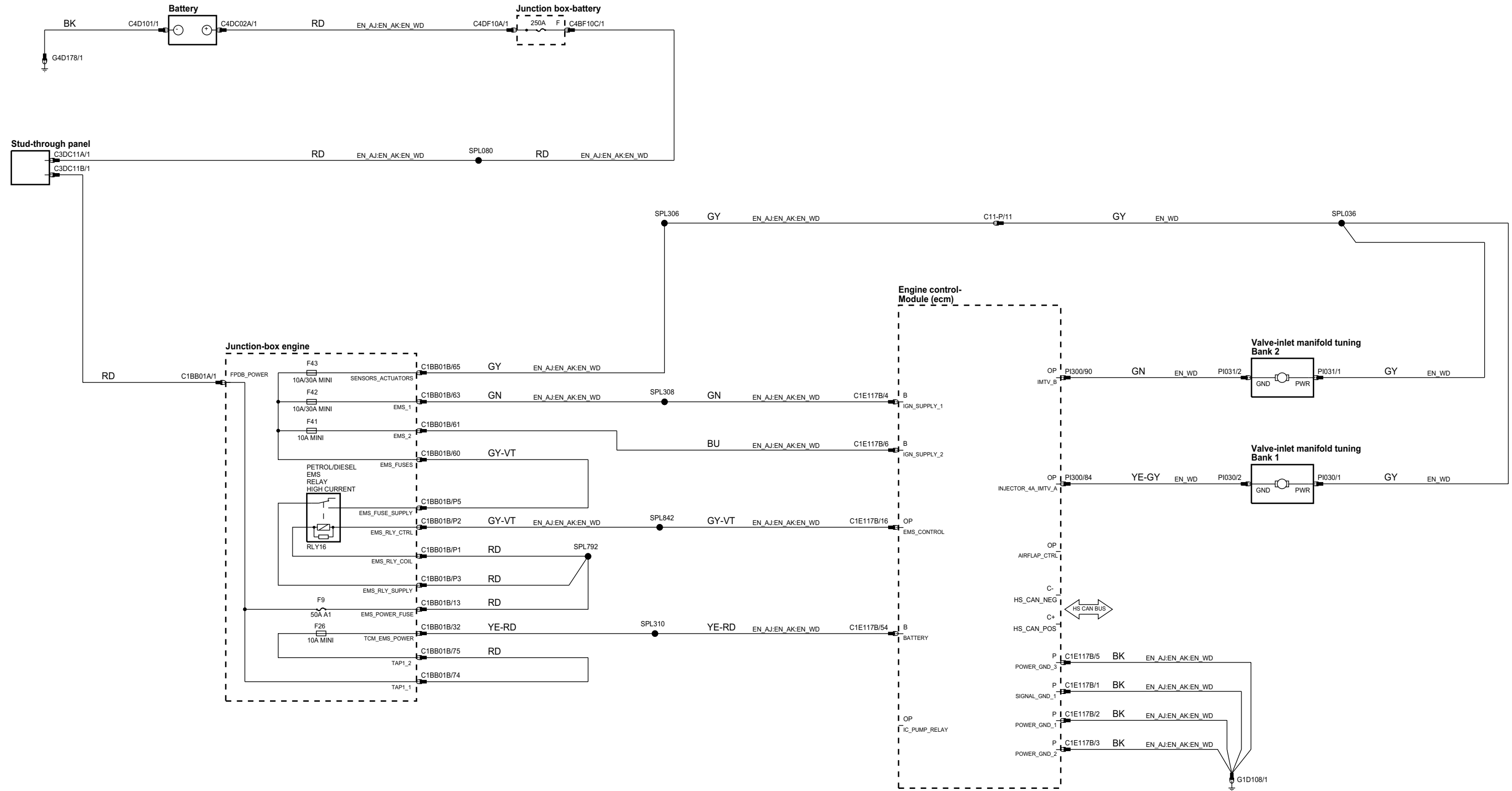
C64	>>>	C11-P
C65	>>>	C11-K
C76	>>>	C11-L

pn0035-VULSU-C-01

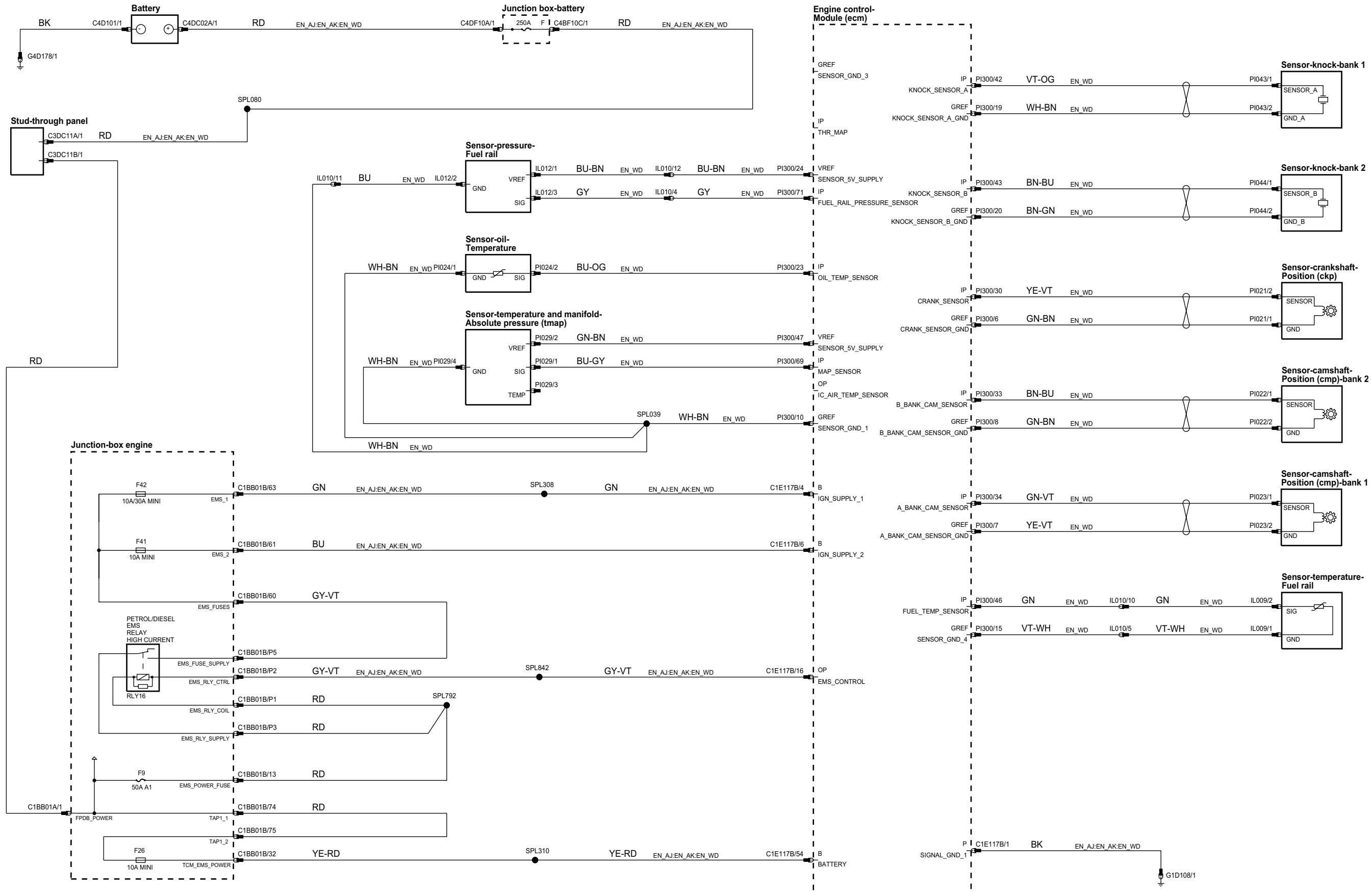




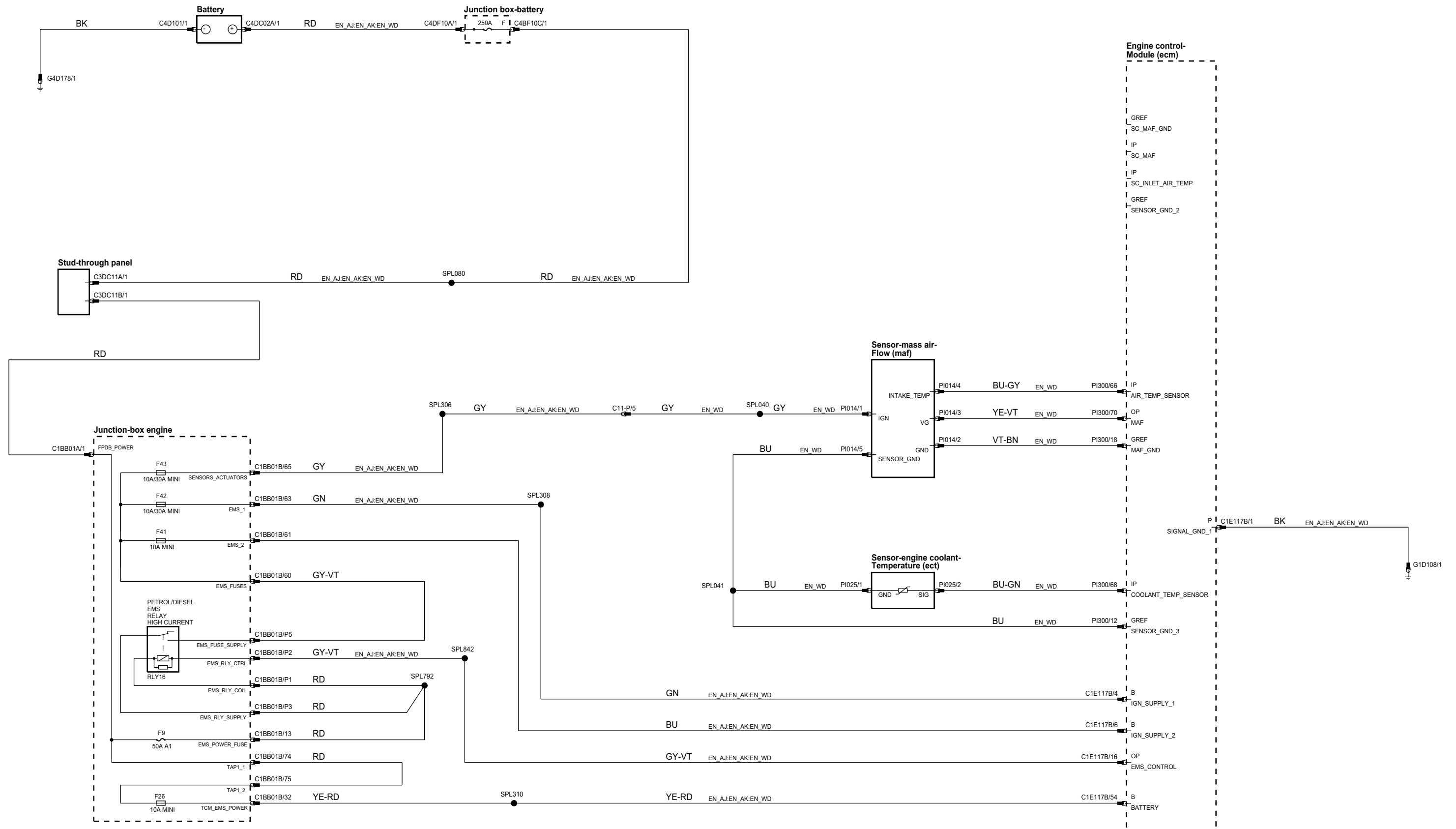
pn093- /UUU31-C-01



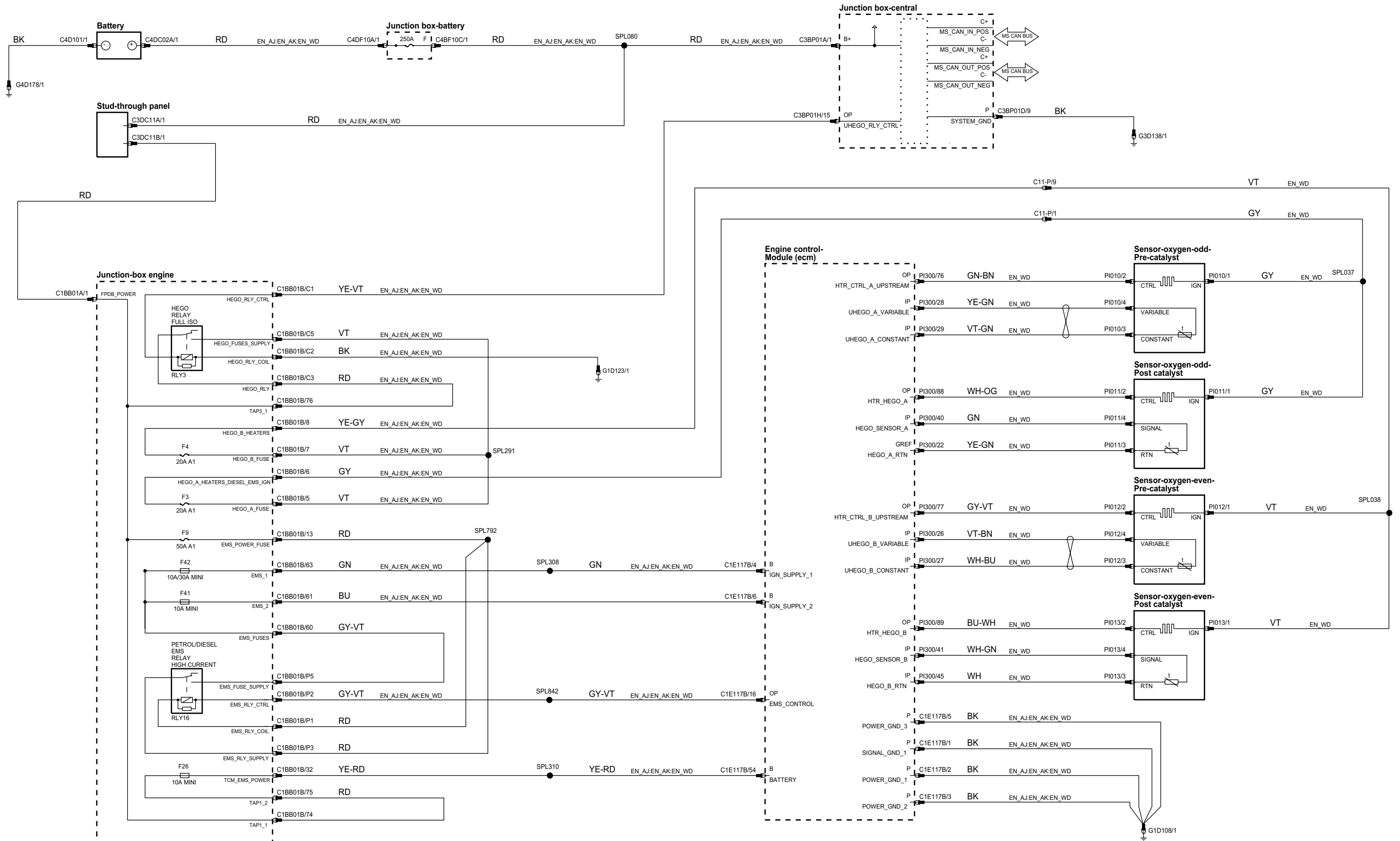
ph8r83-70034-c-af



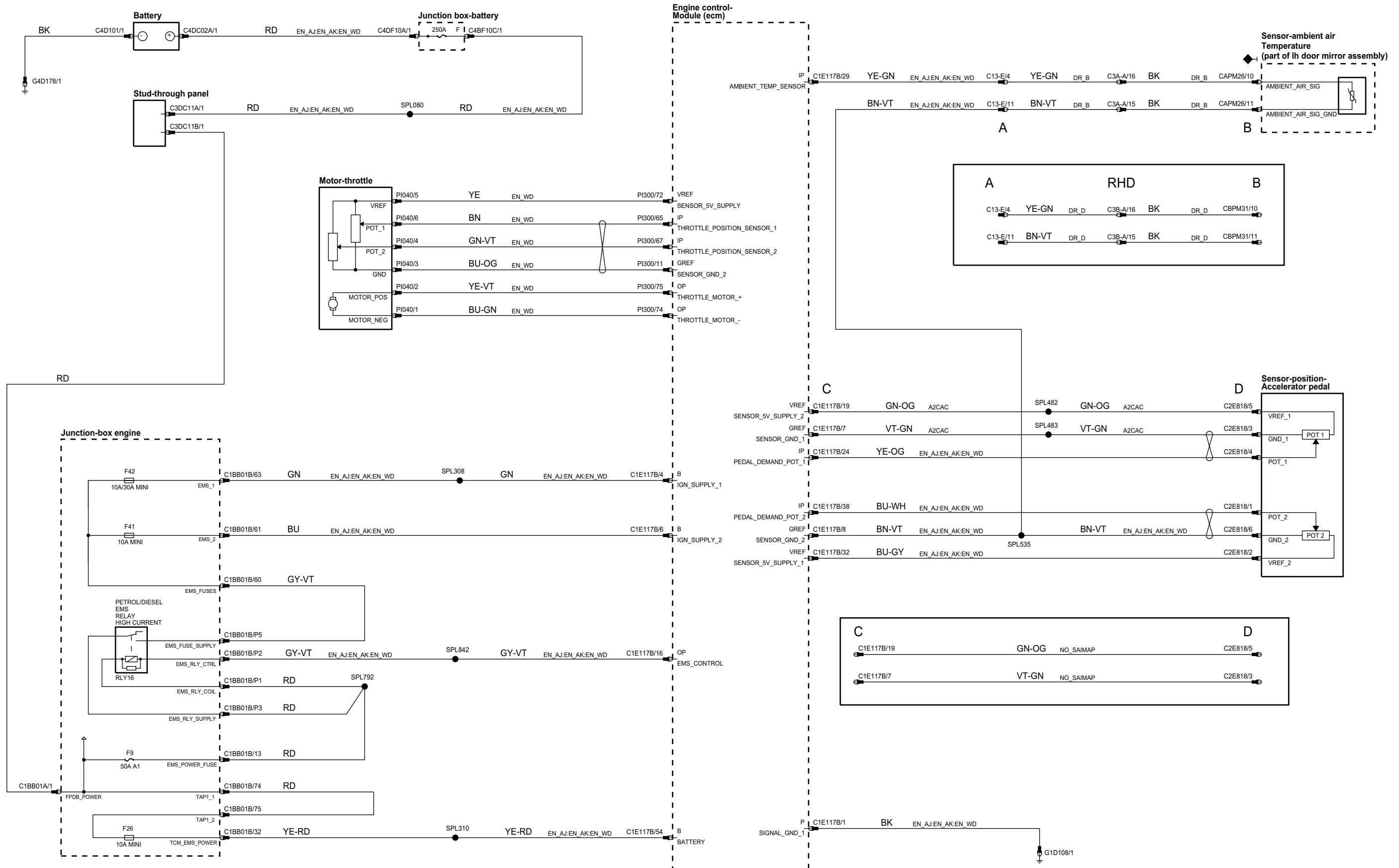
ph863-70034-g-af



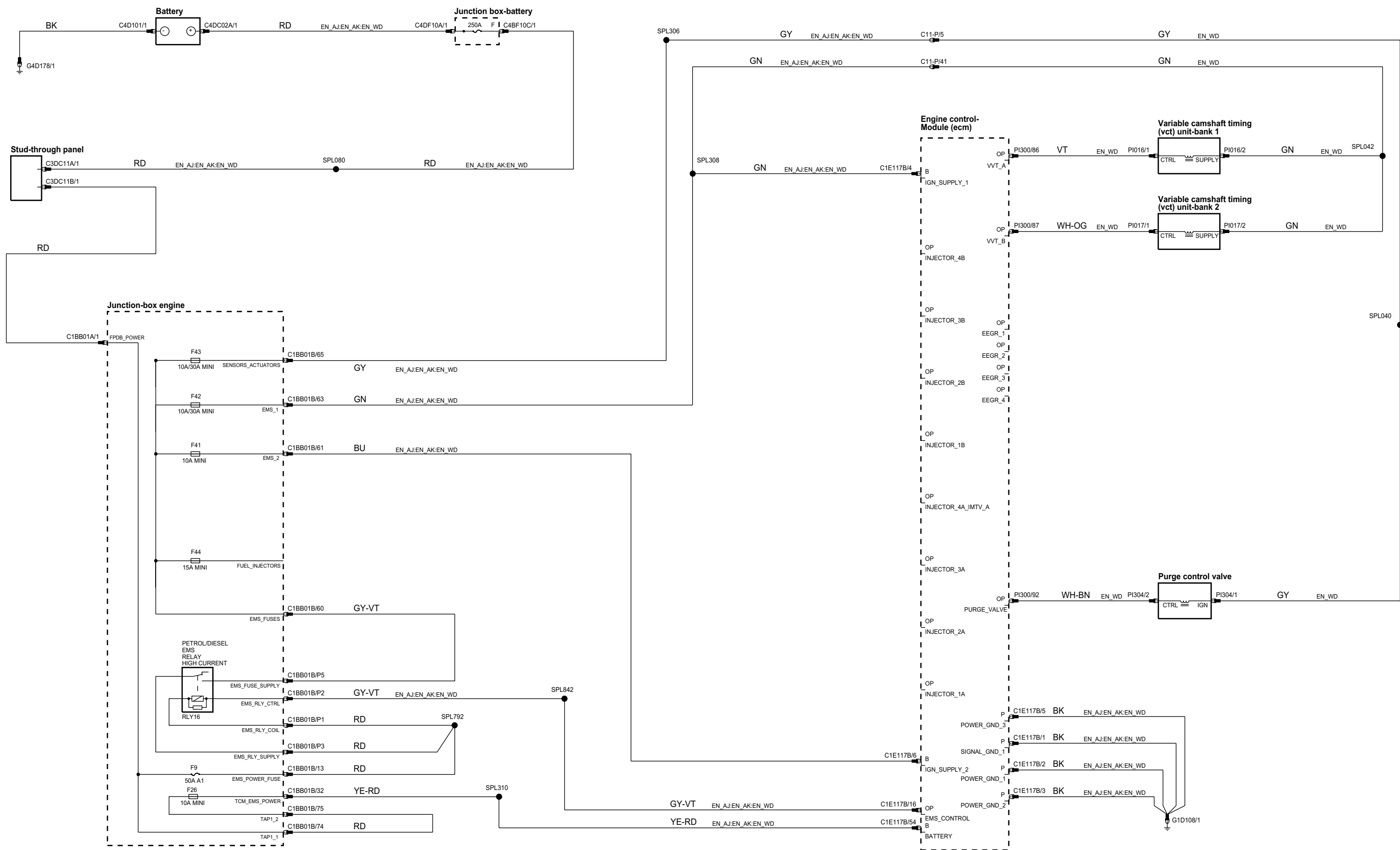
ph8r83-70035-c-af



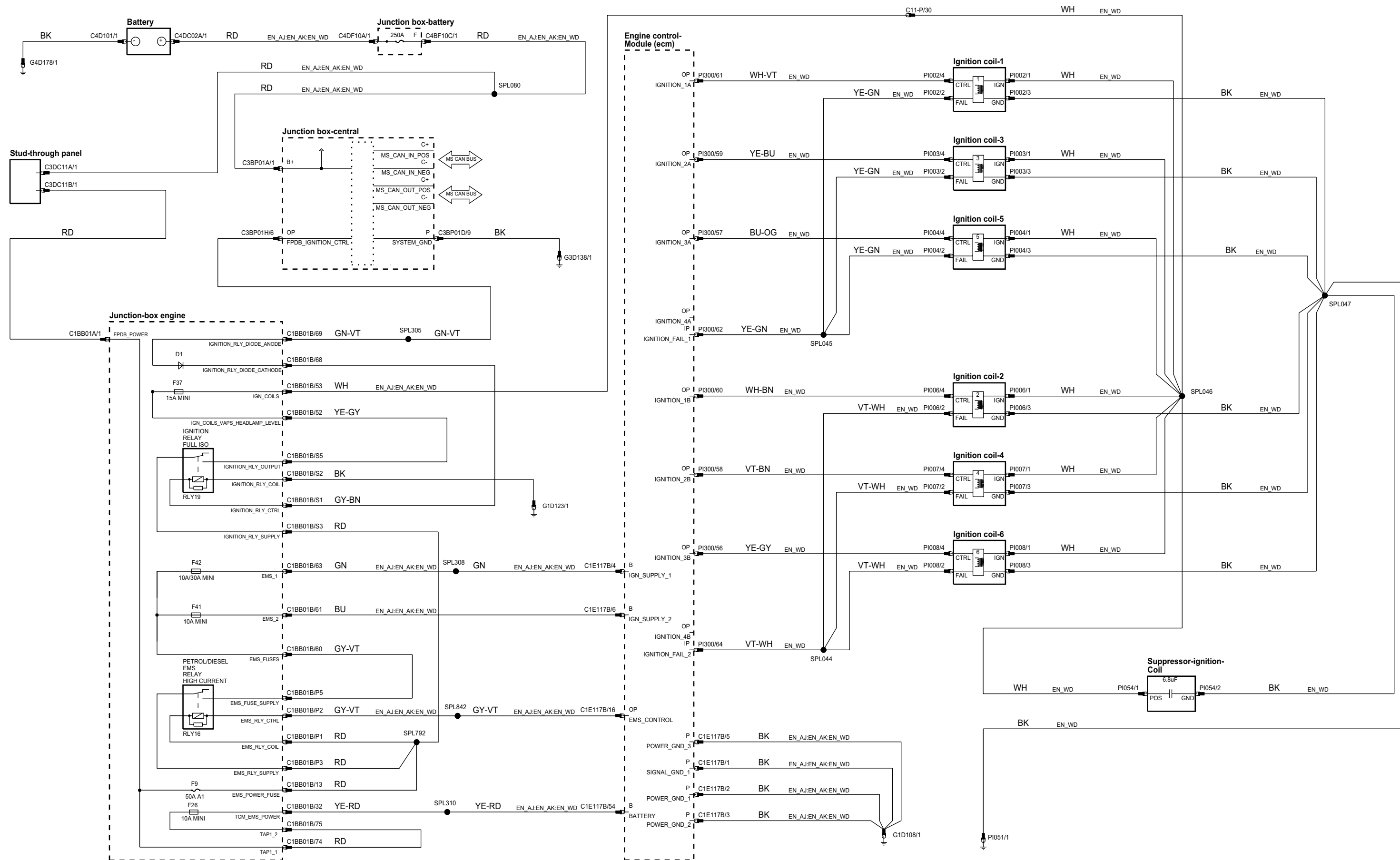
ph8r63-70035-g-af



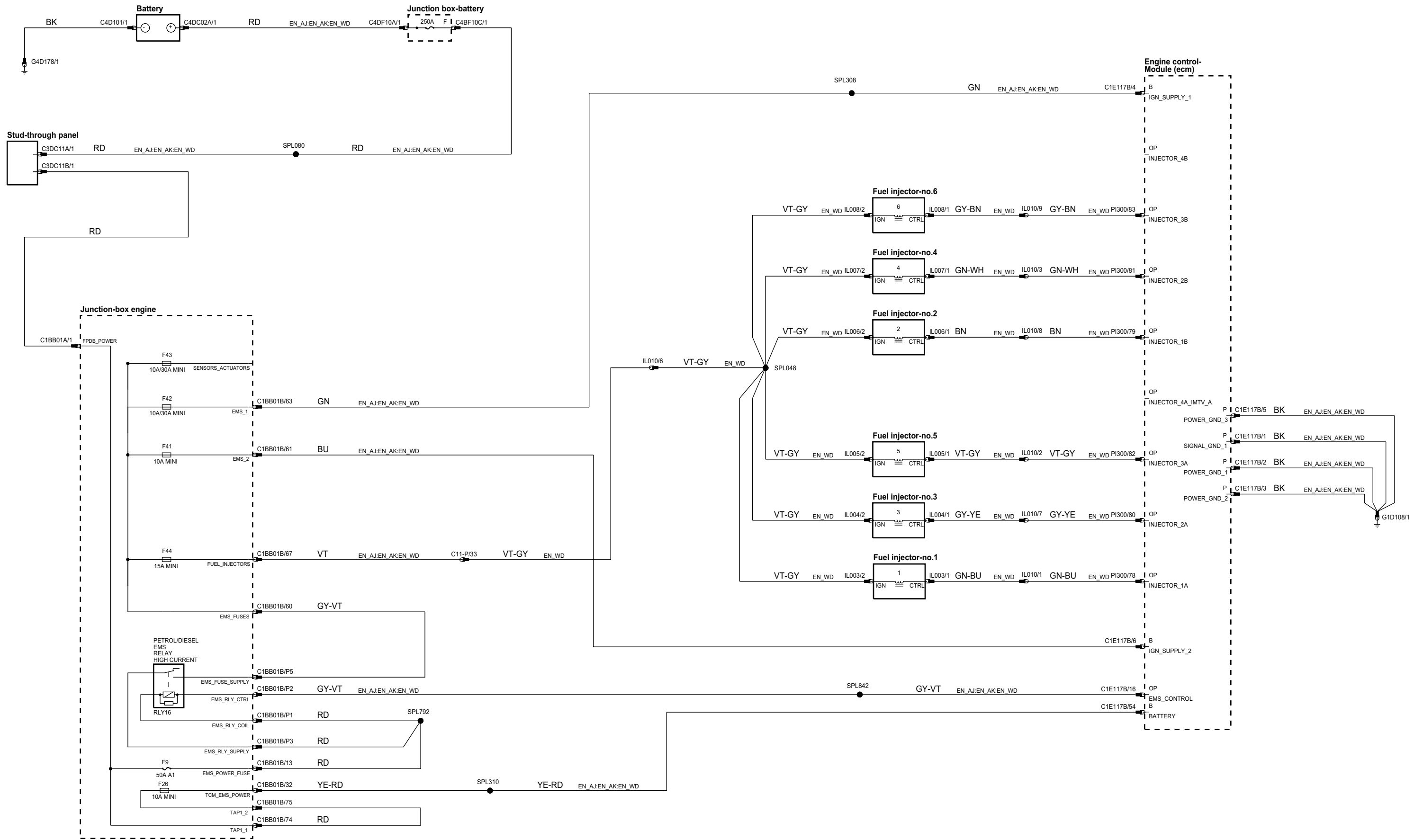
ph8r83-70038-c-af



ph863-70038-h-af

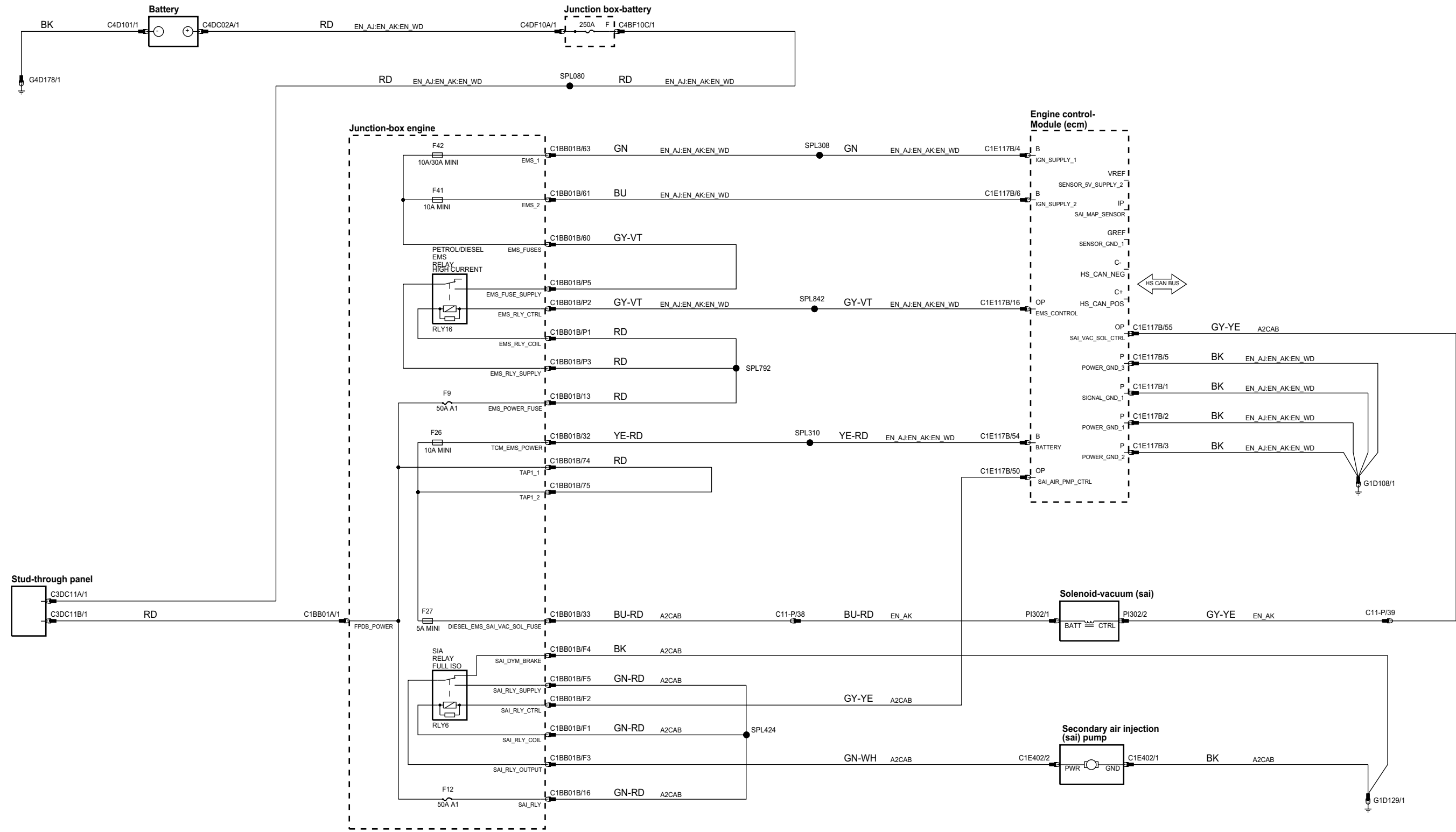


sh863-70038-l-af

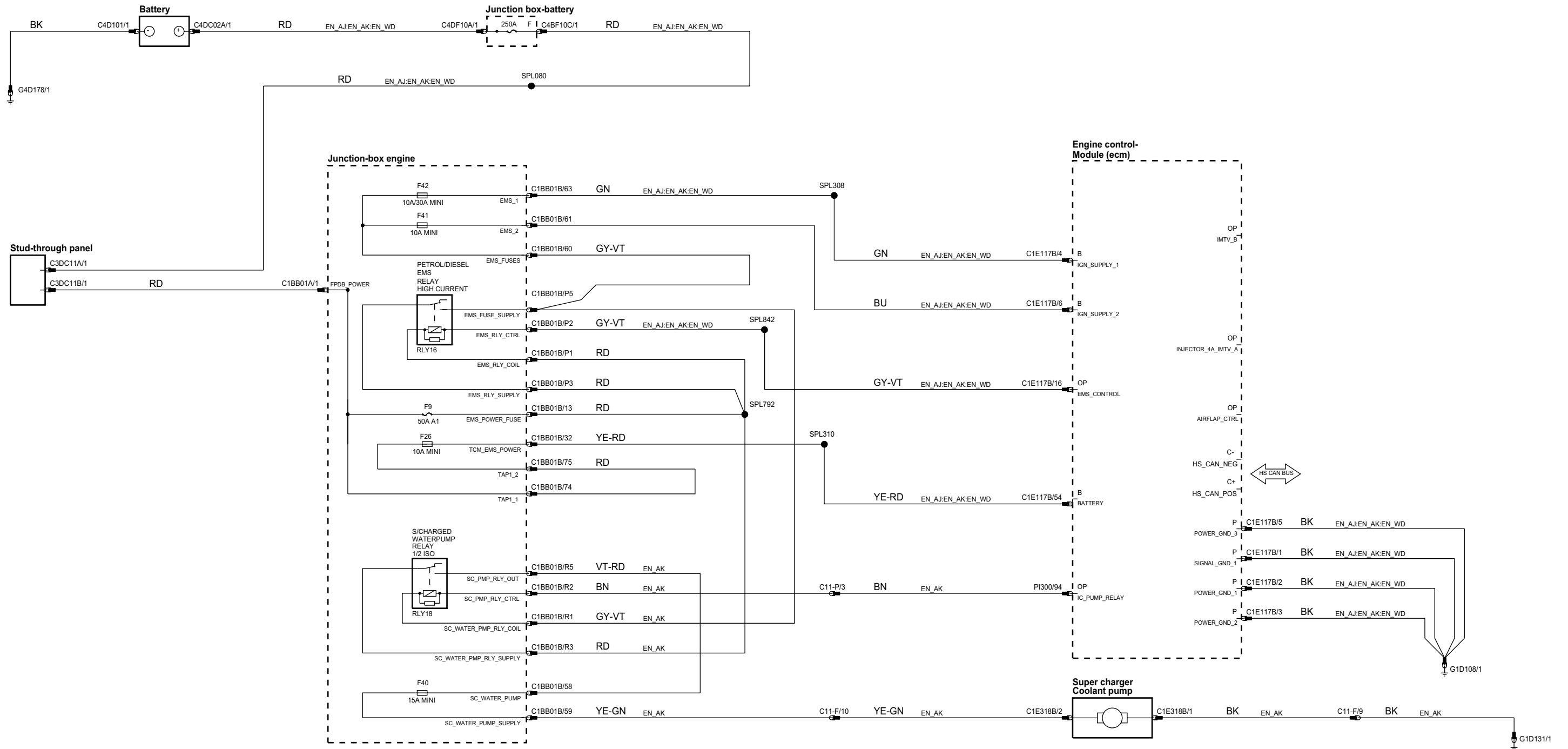




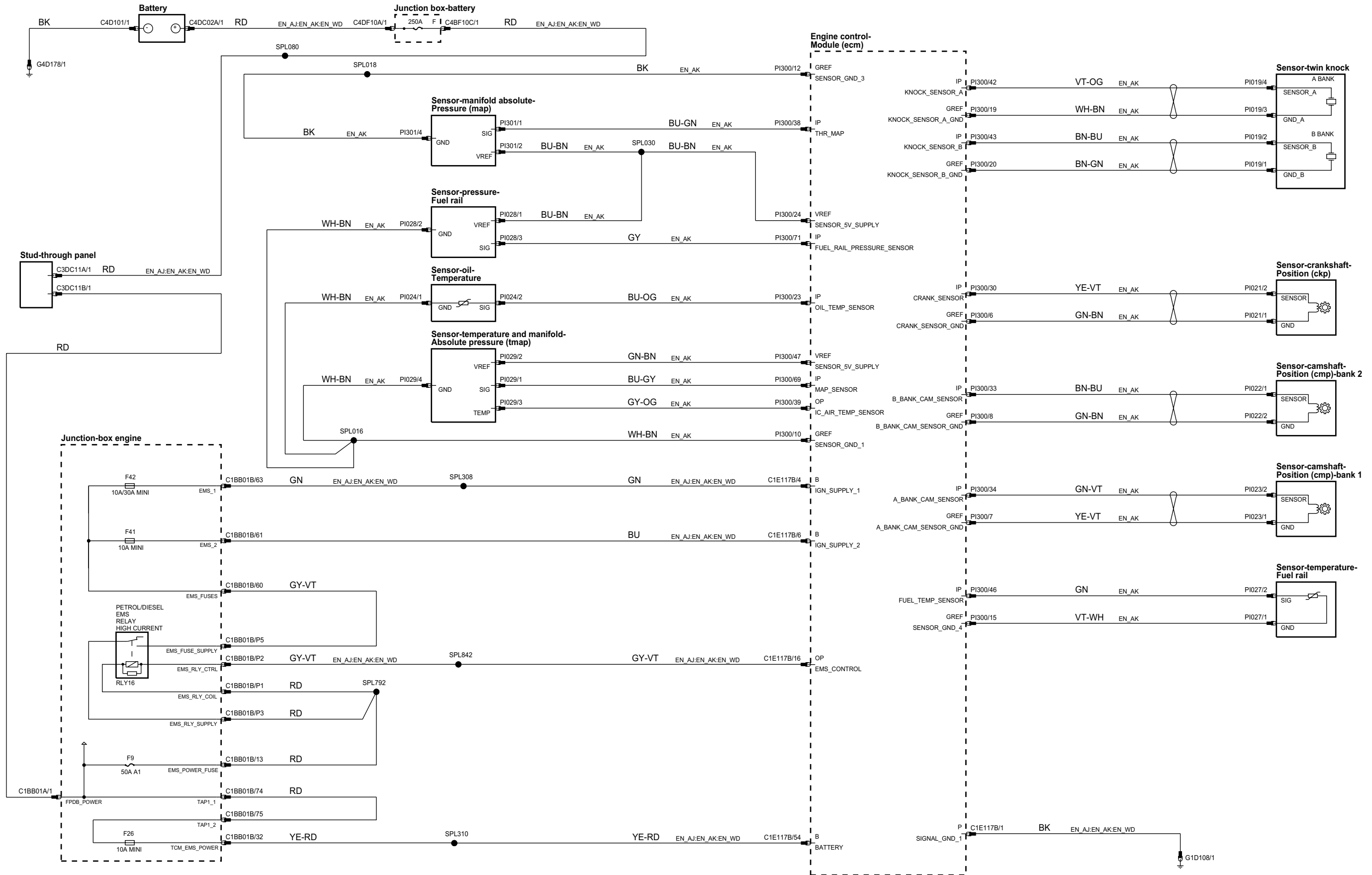
ph8r63-70030-b-af



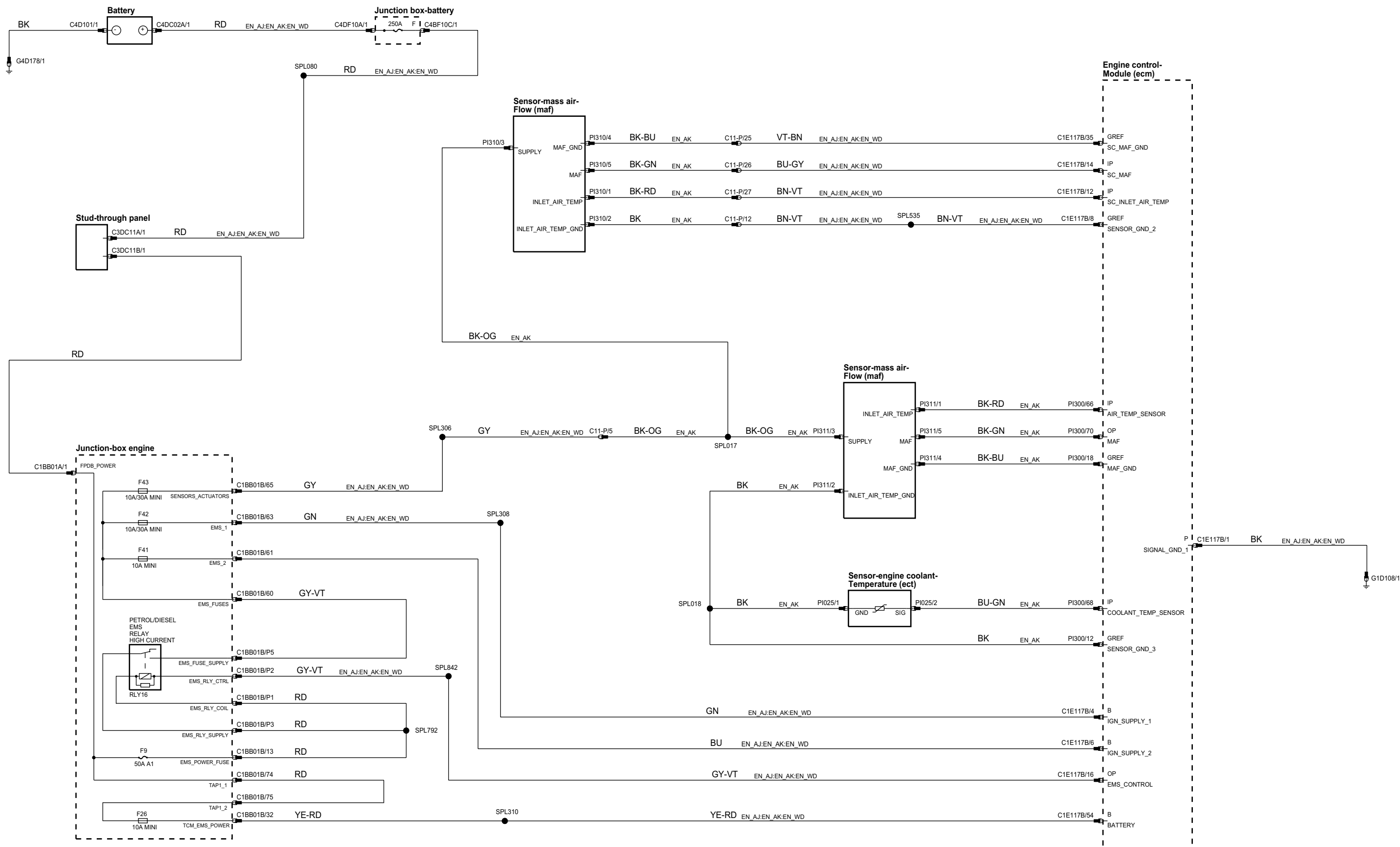
ph8r70031-b-af



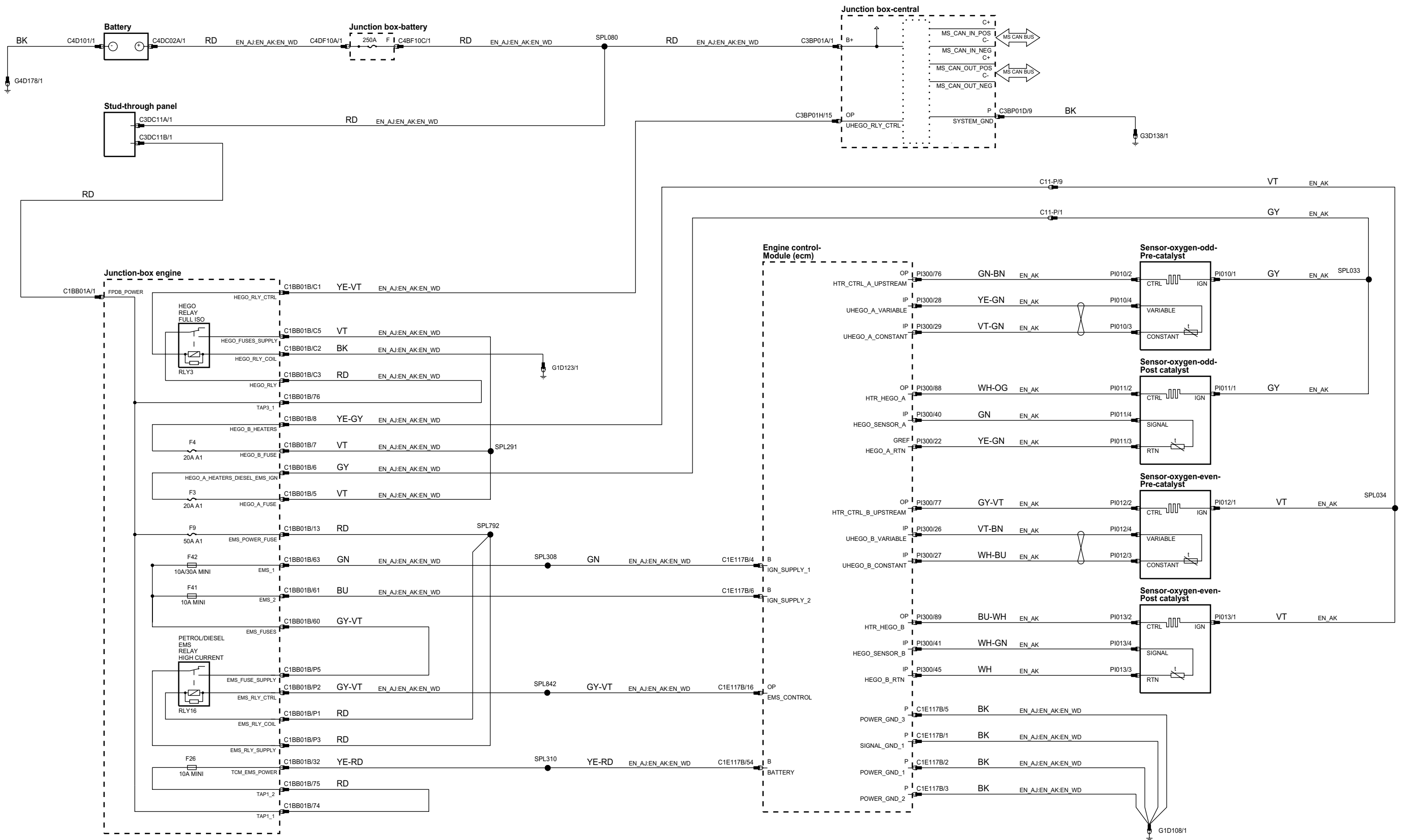
ph8r63-70034-b-af



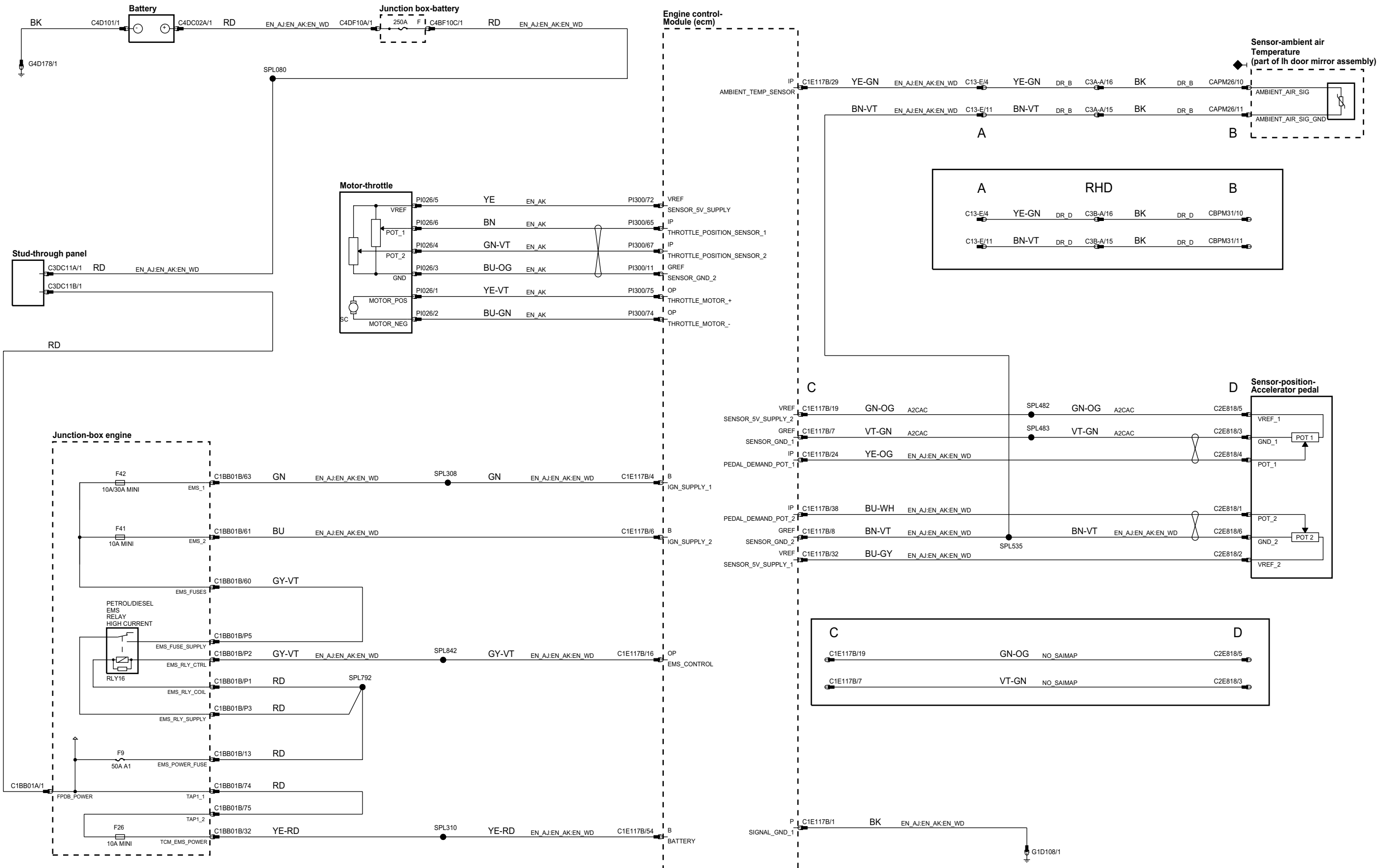
ph8r83-70034-e-af



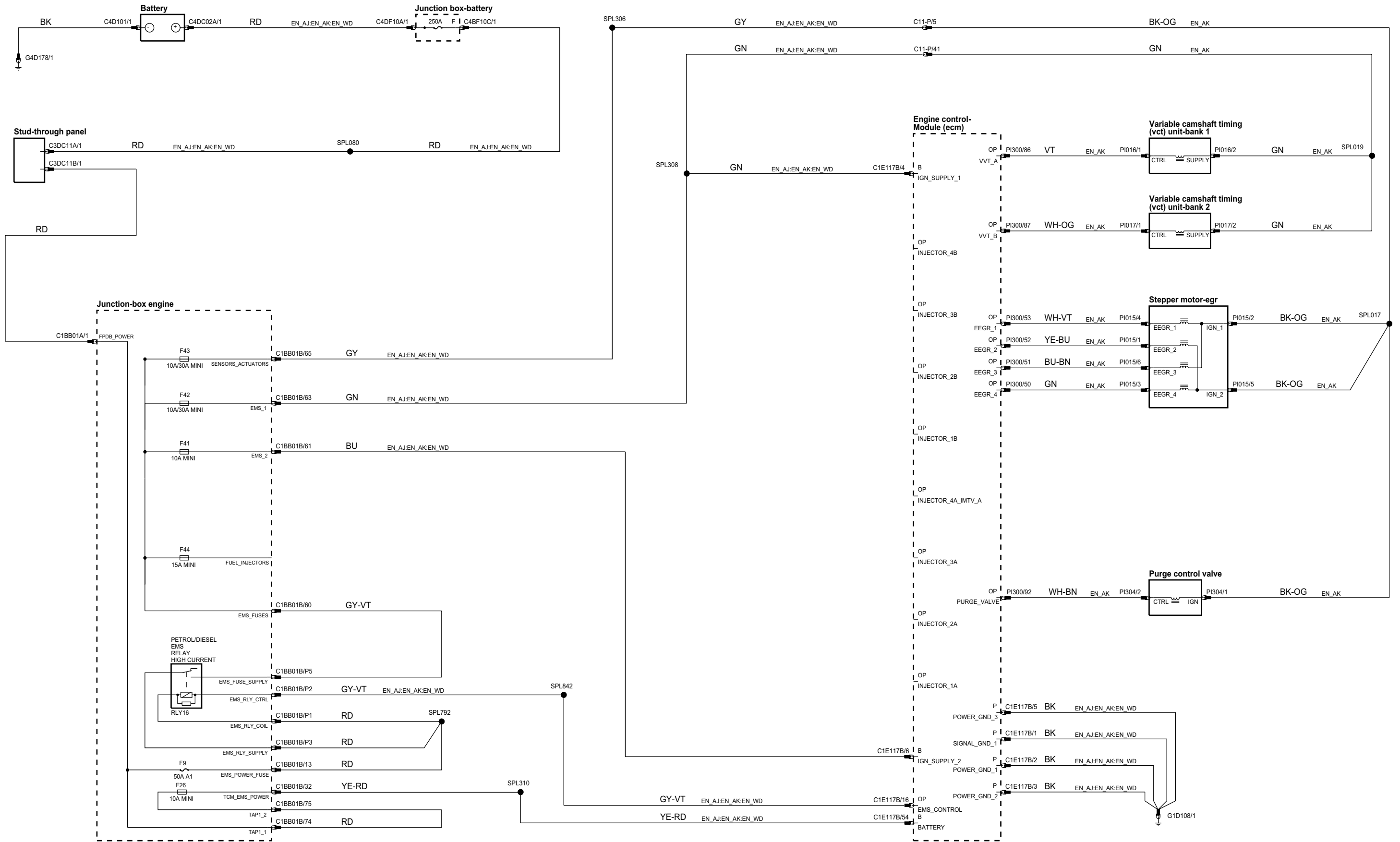
ph083-70035-b-af



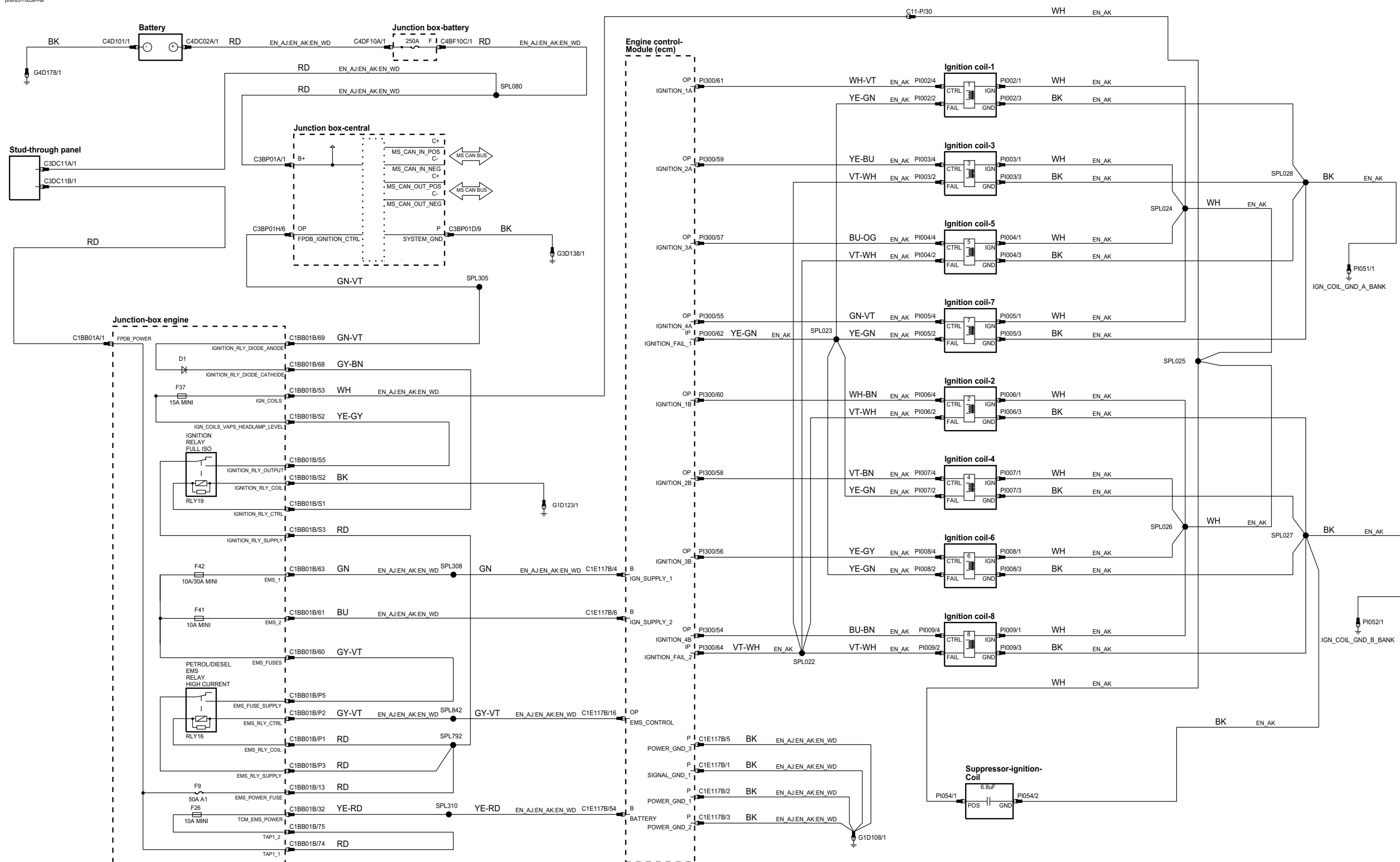
ph8r83-70035-f-af



ph863-70038-b-af

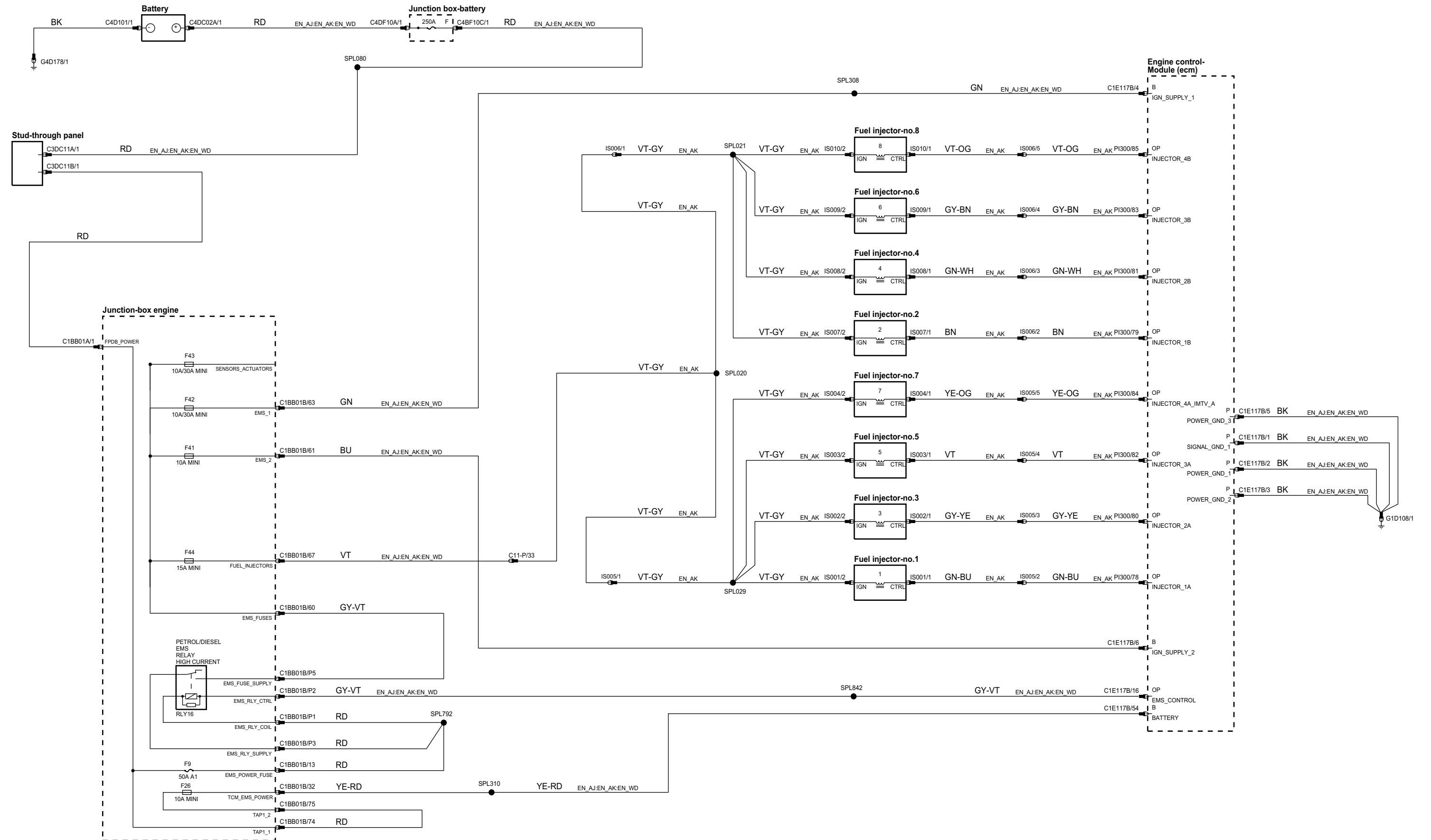


ph8r83-70038-f-af

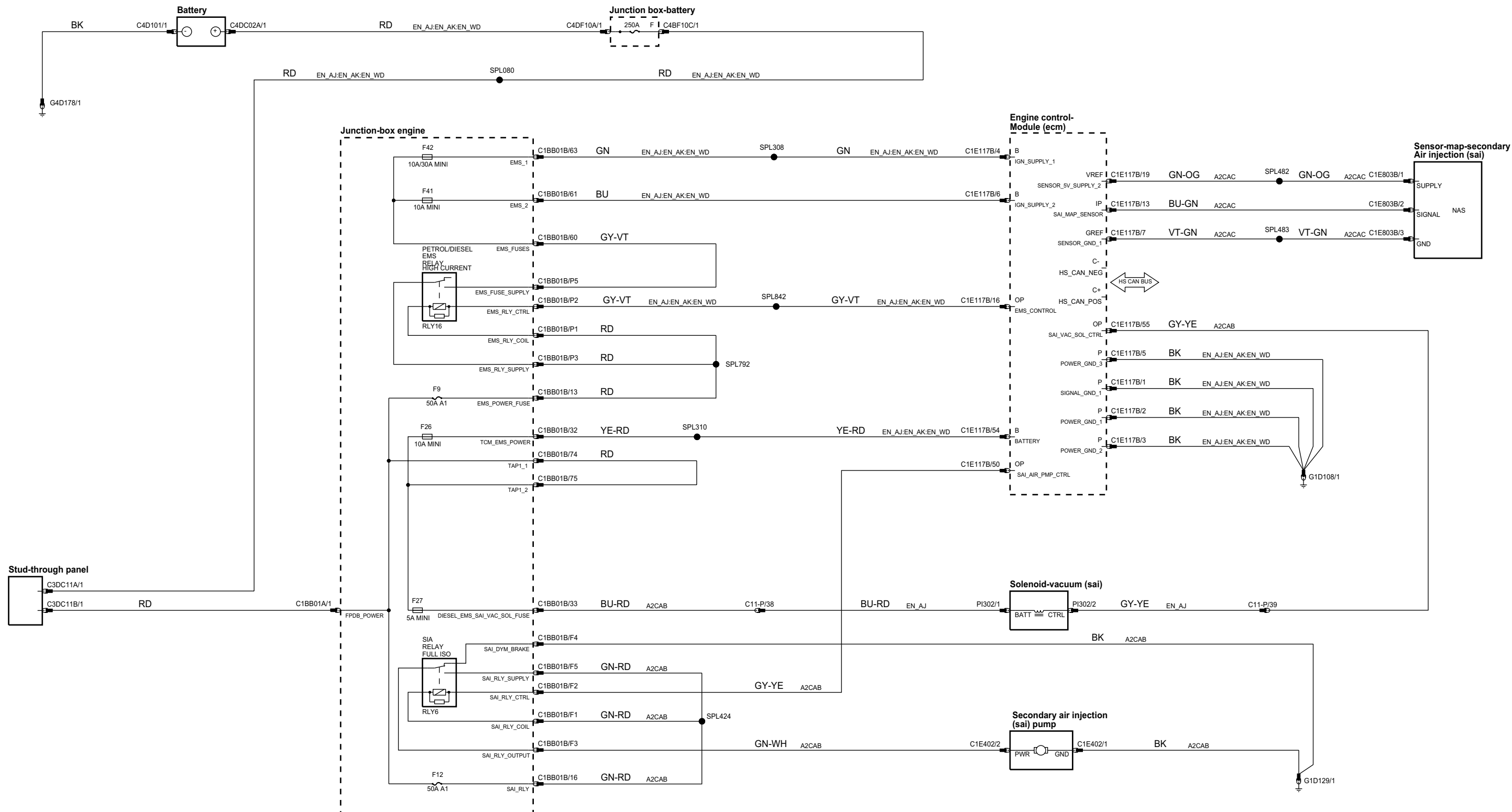




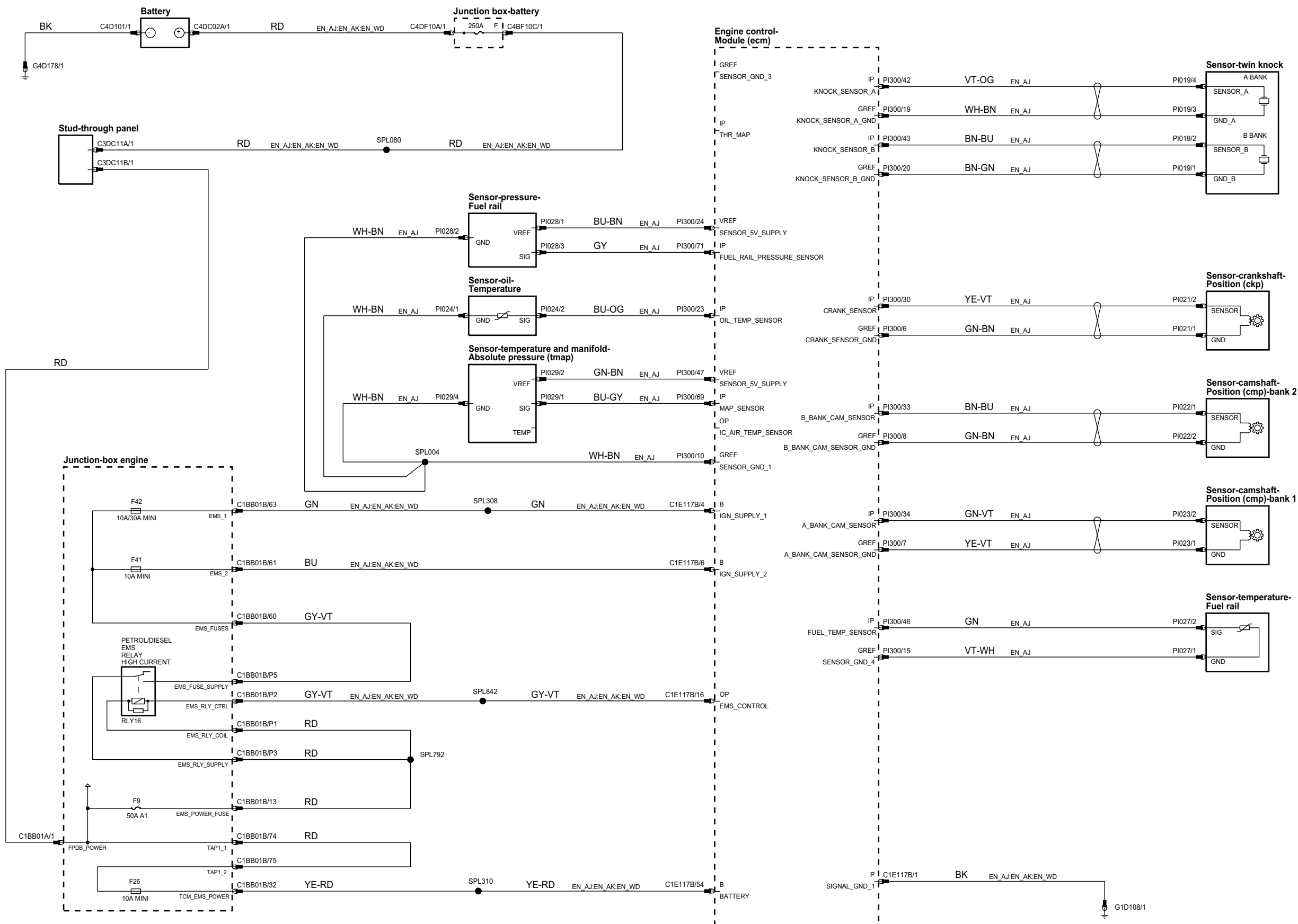
ph8r83-70038-g-af



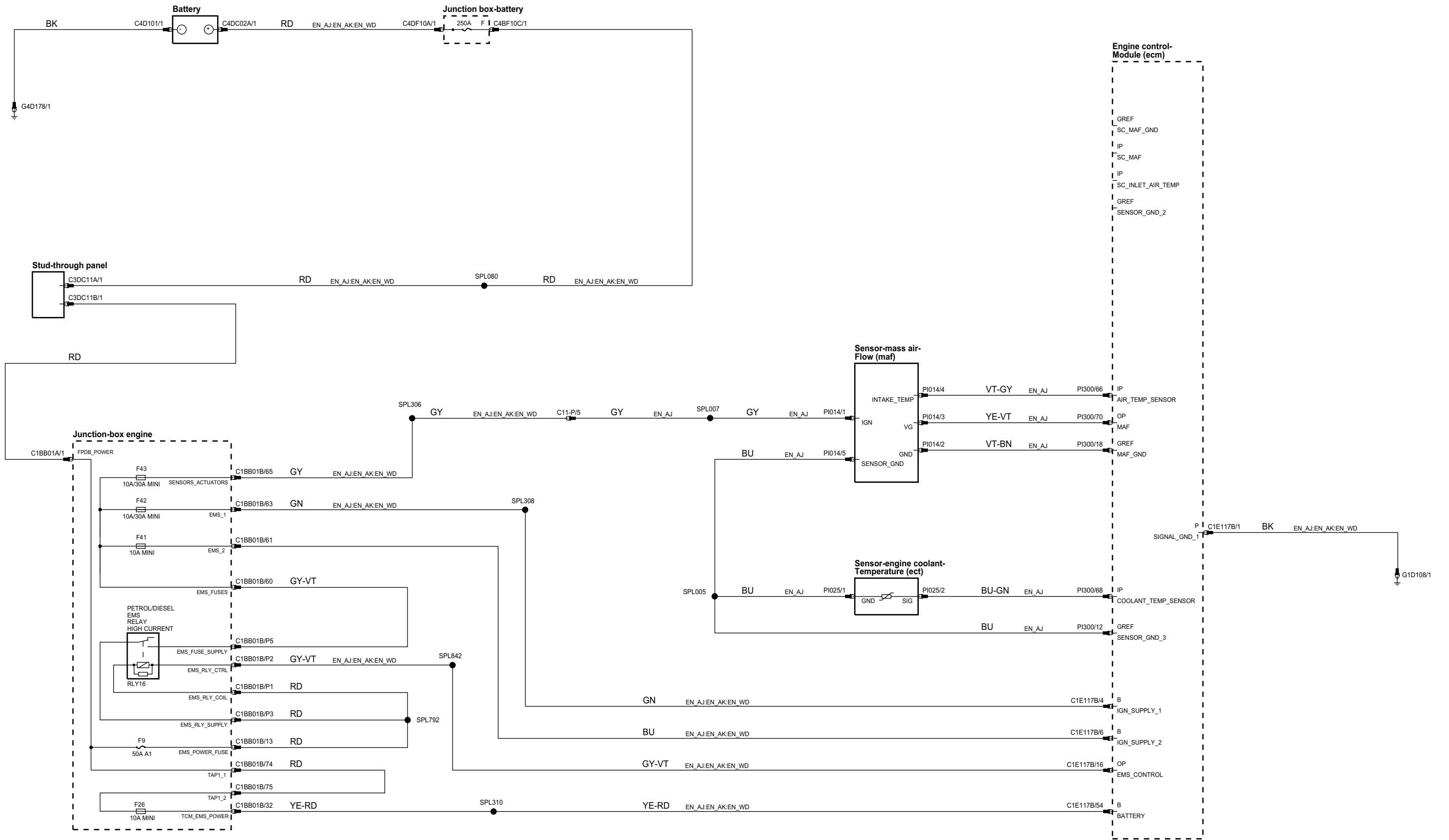
ph8r83-70030-a-af



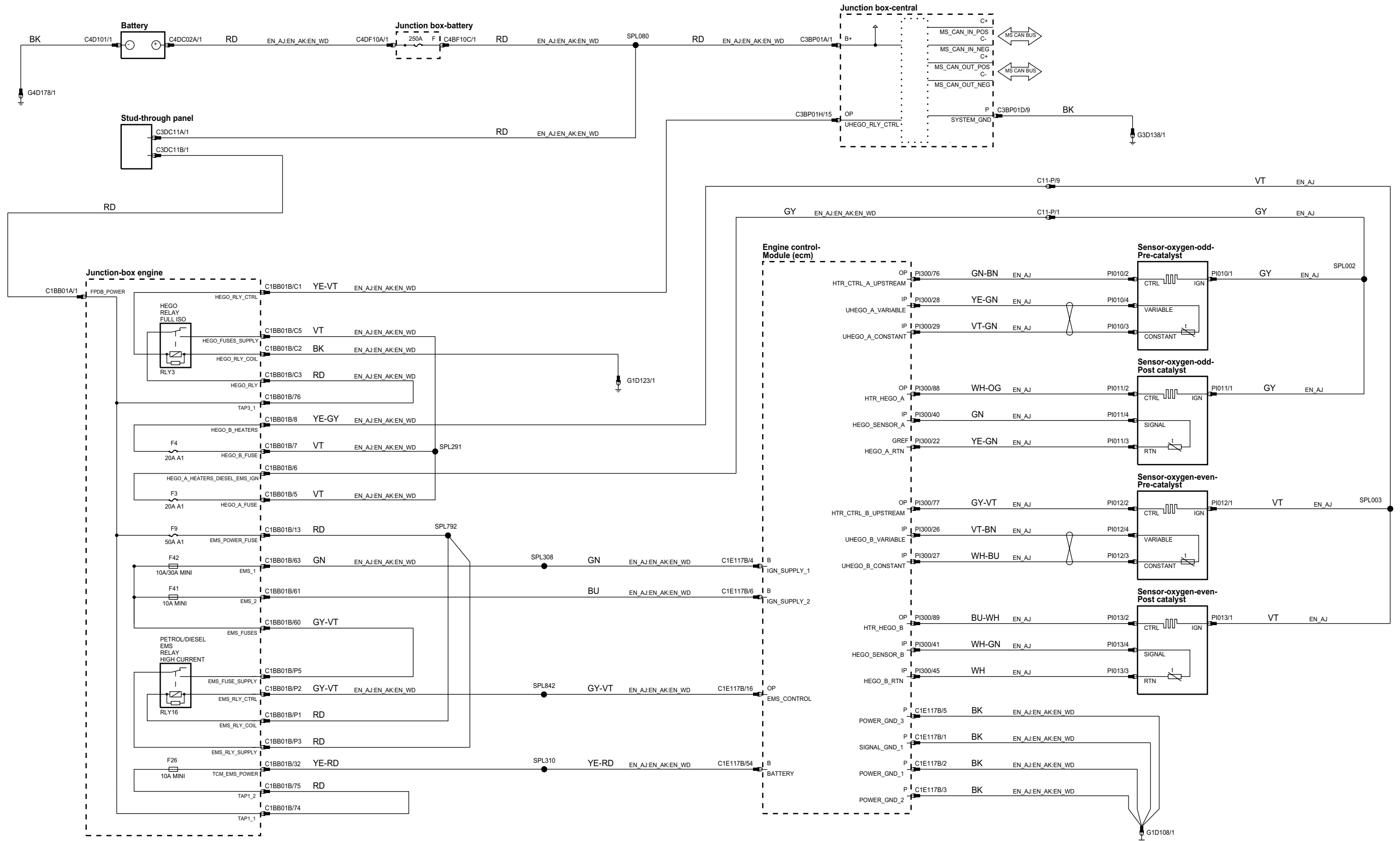
ph8/63-70034-a-af



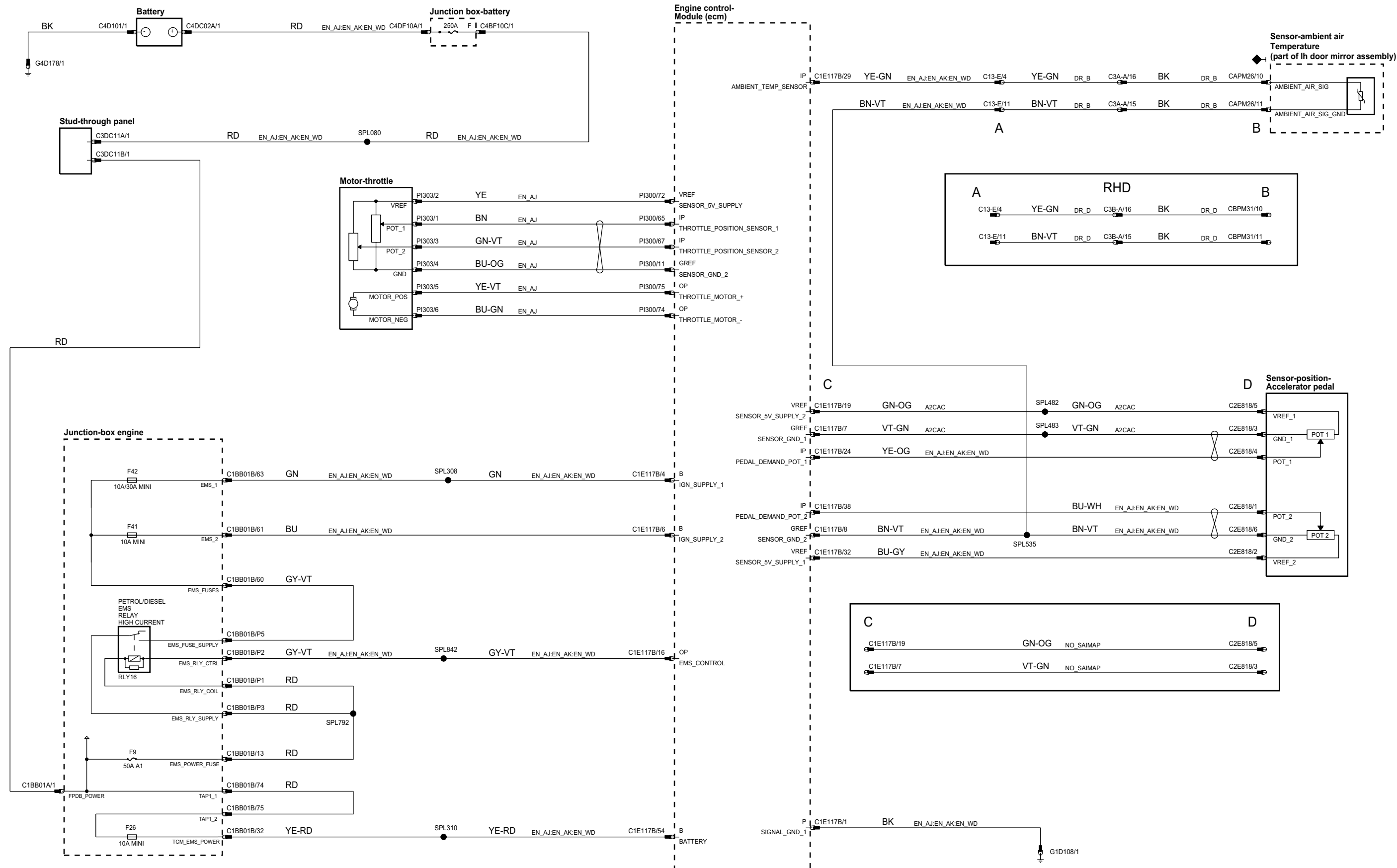
ph8r83-70034-1-af



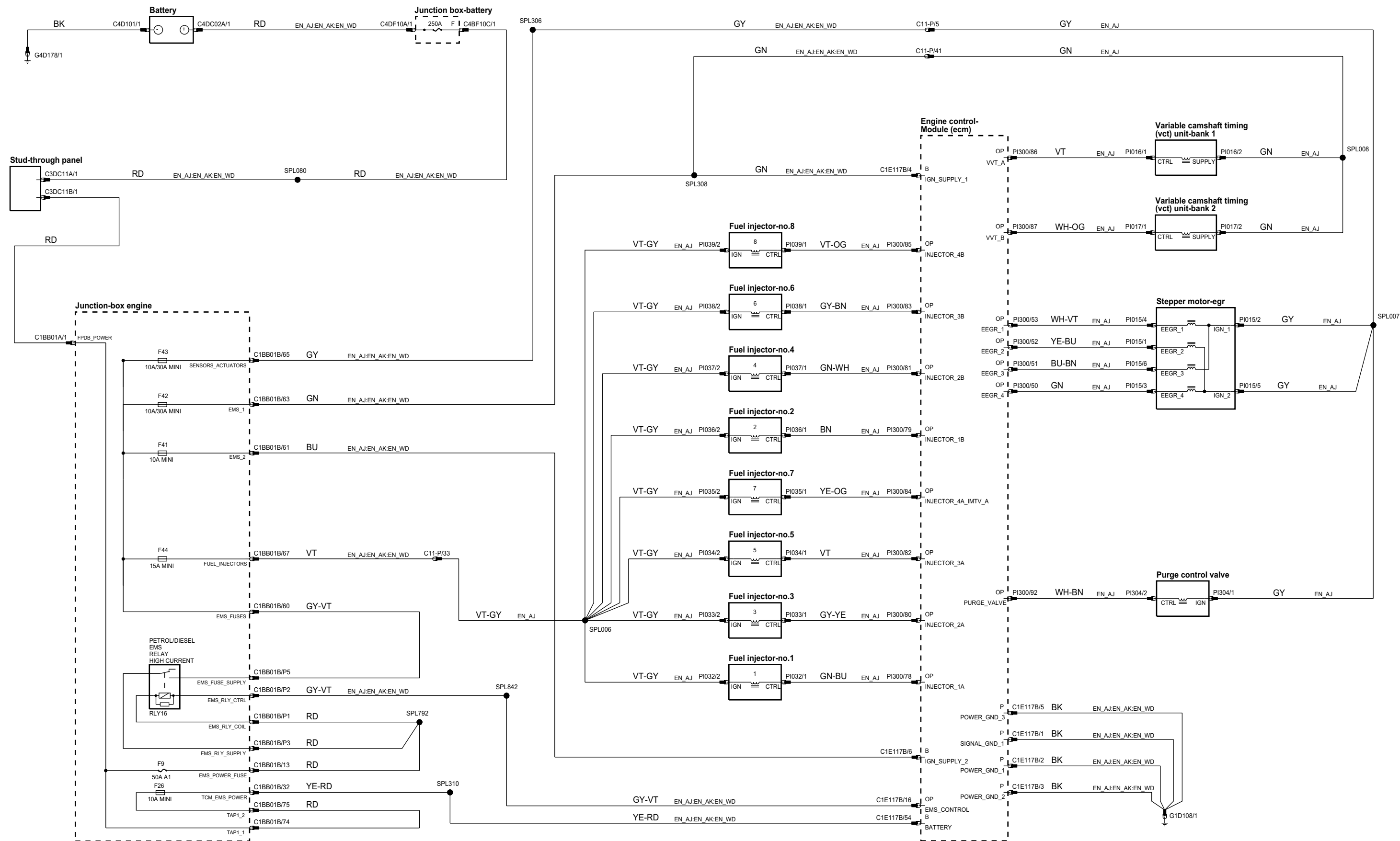
ph8r83-70035-a-af



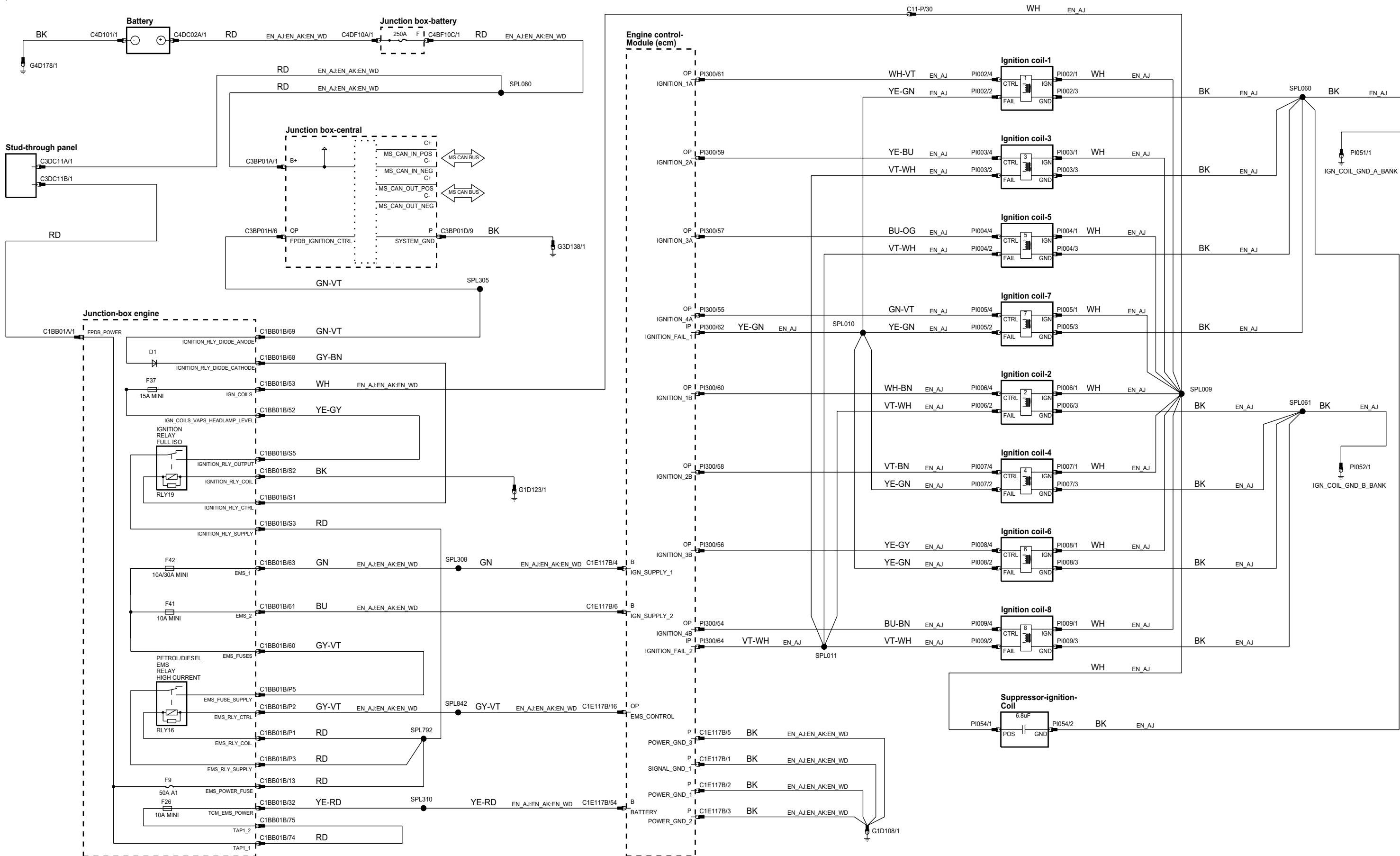
ph8r83-70035-e-af



ph8r83-700038-a-af

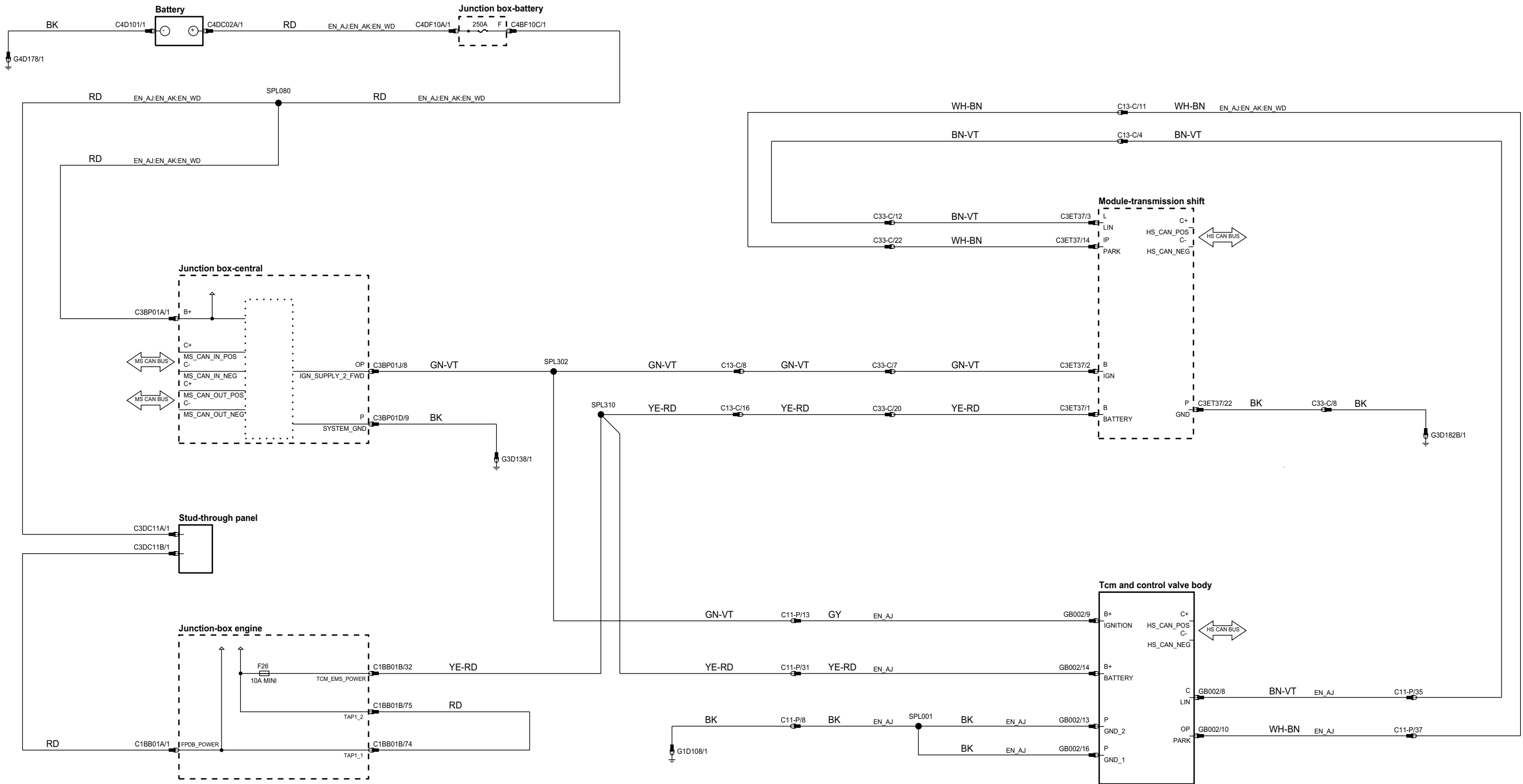


ph8r83-70038-e-af

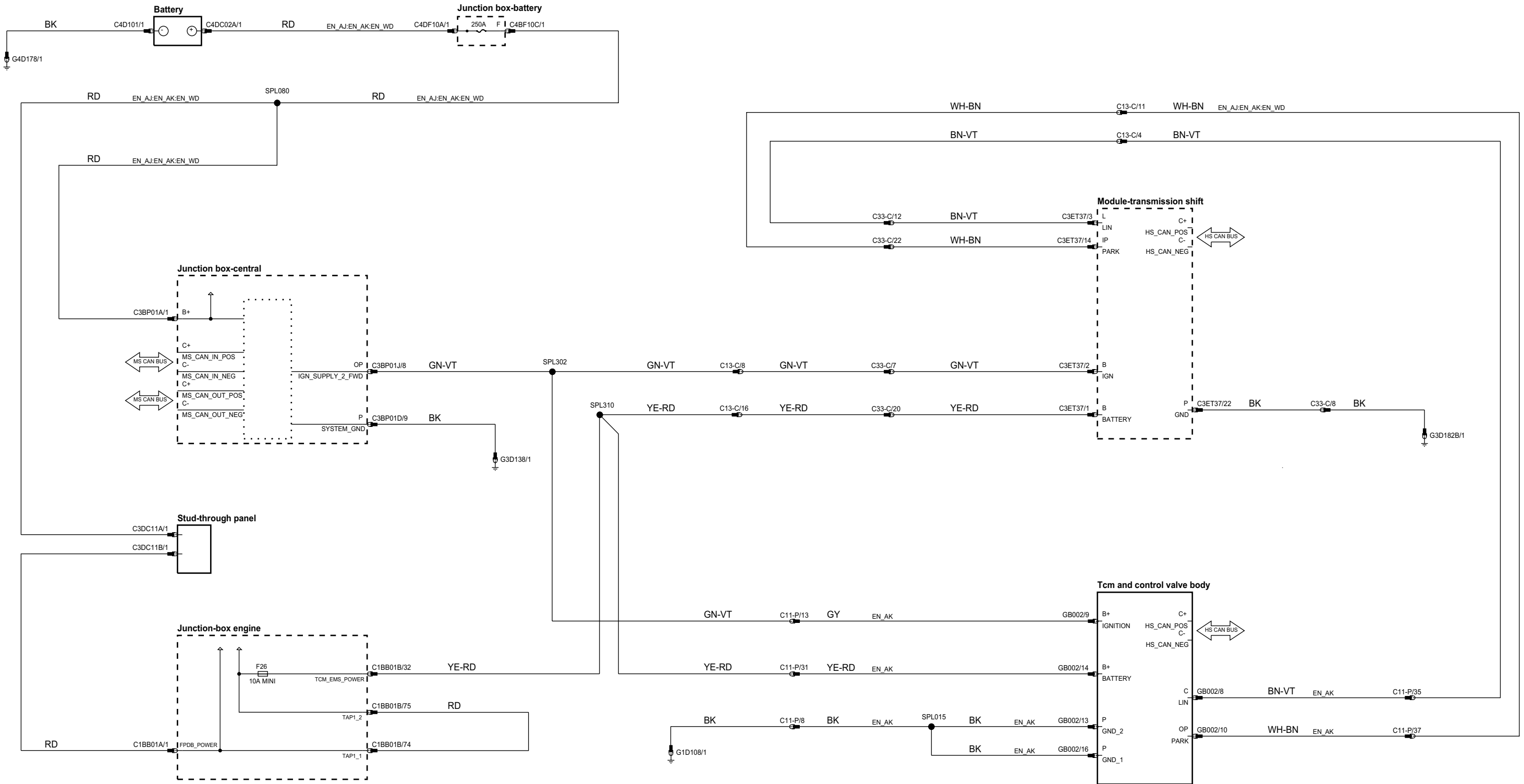




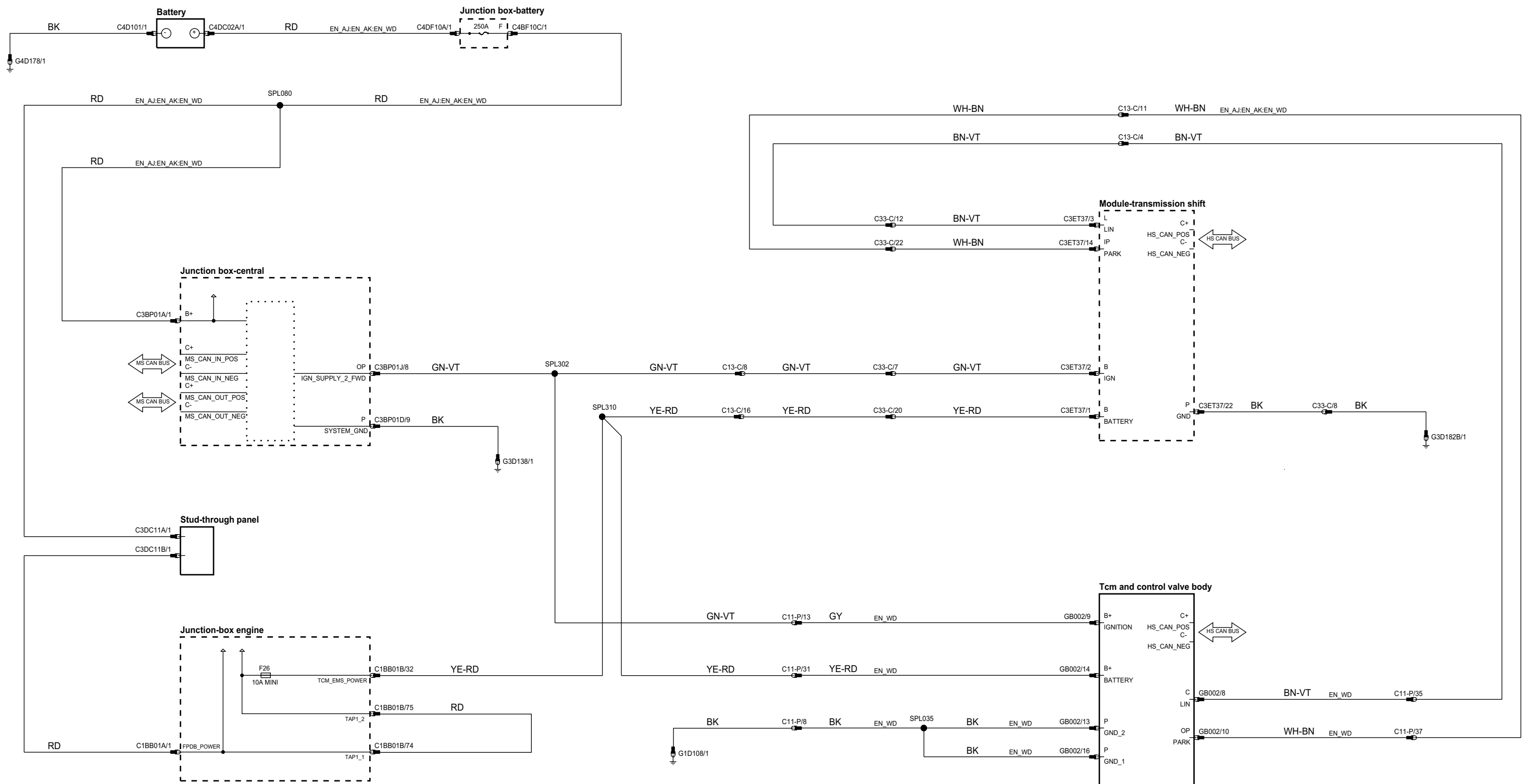
ph8r83-70041-a-af



ph883-70041-b-af

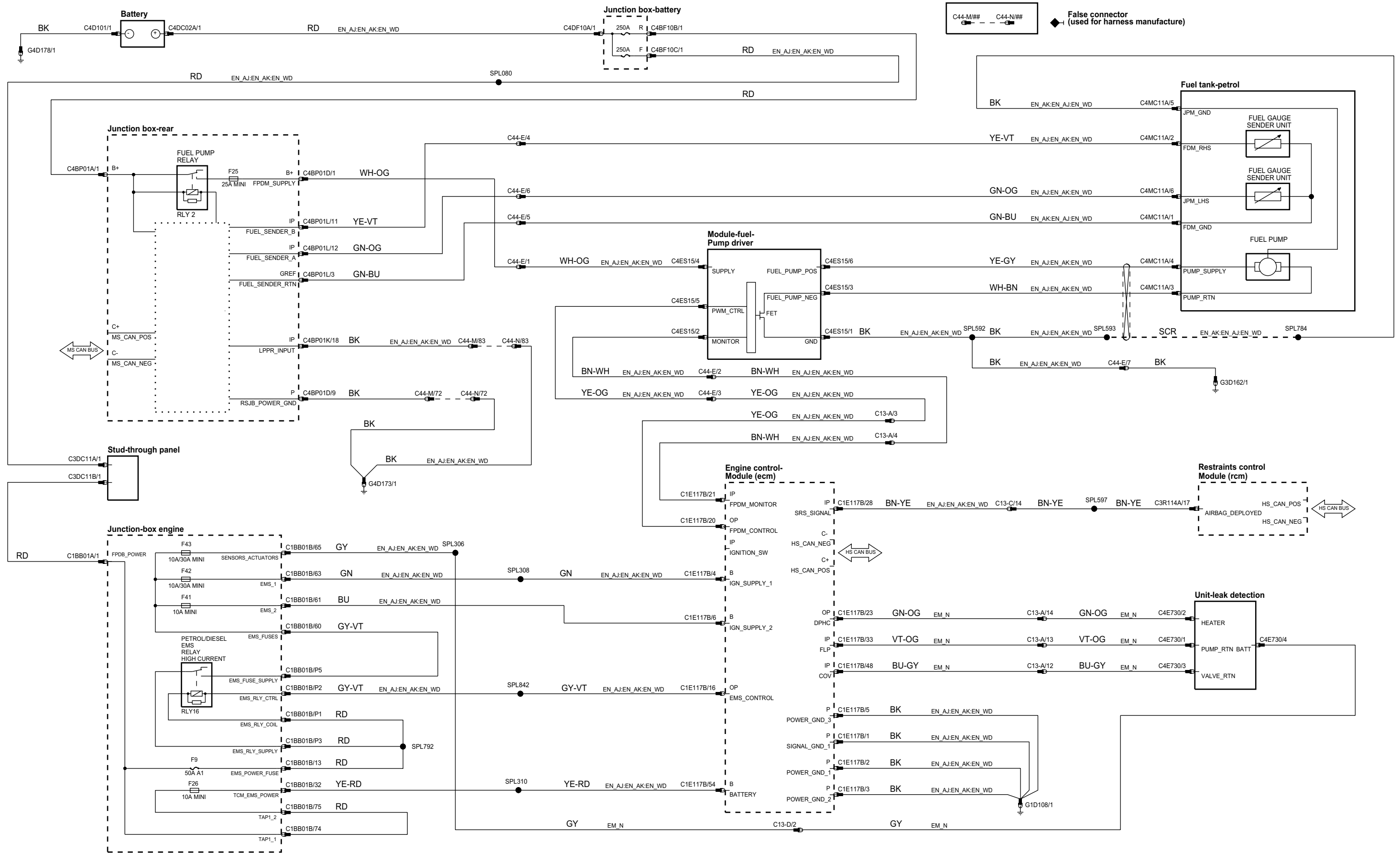


ph8r83-70041-c-af

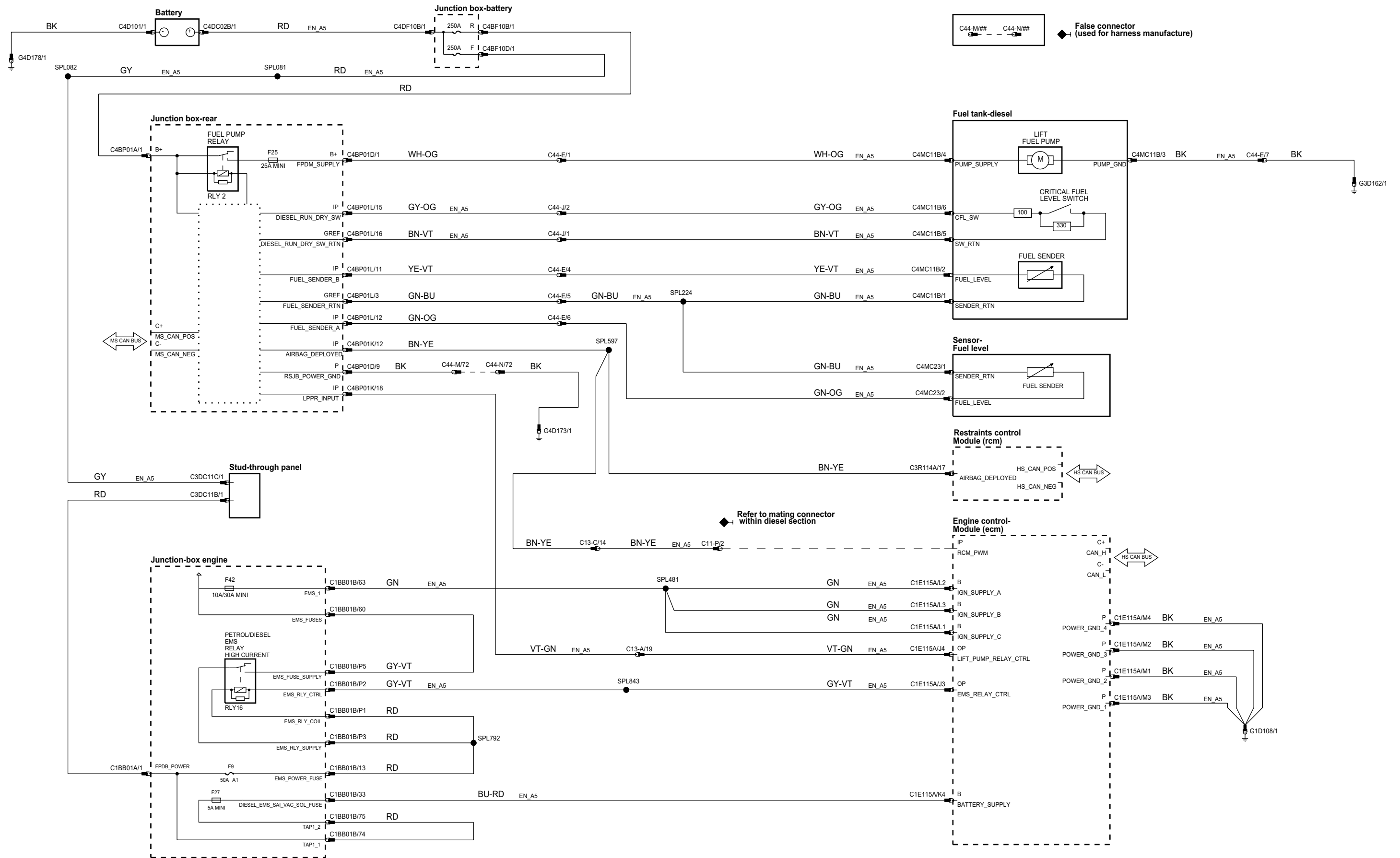




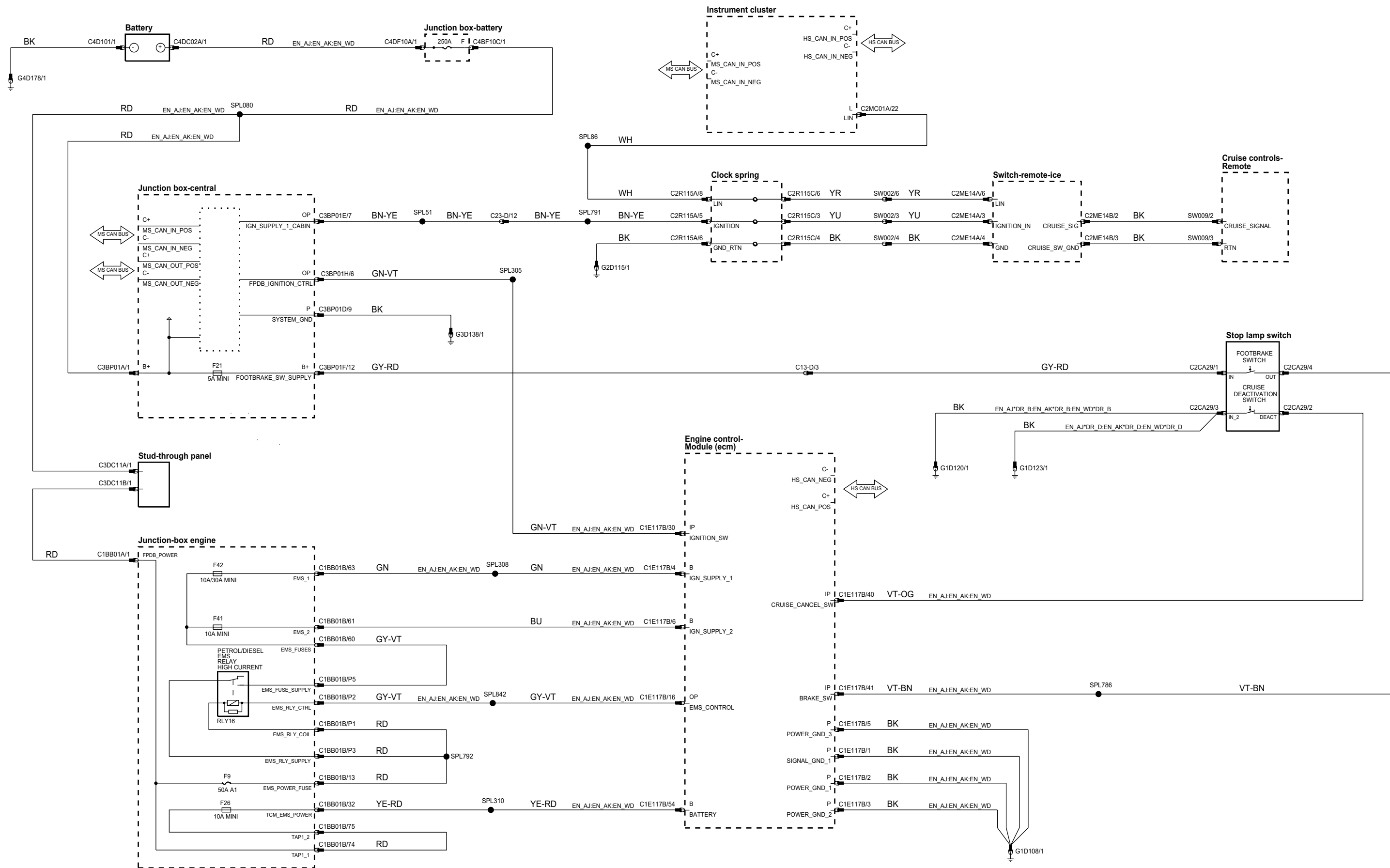
ph8/83-70036-a-af



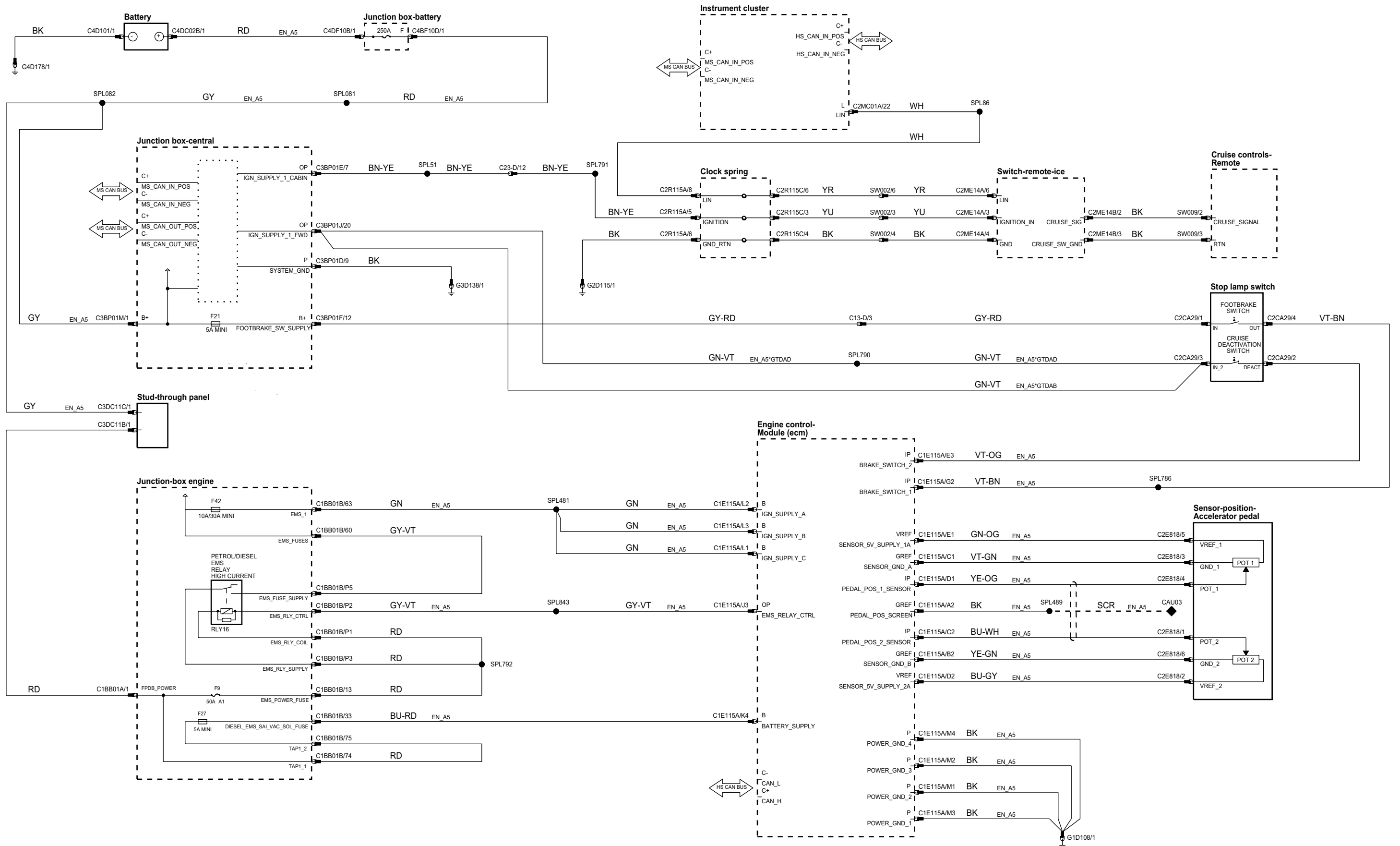
ph8r83-70036-d-af



ph8/83-70190-a-af

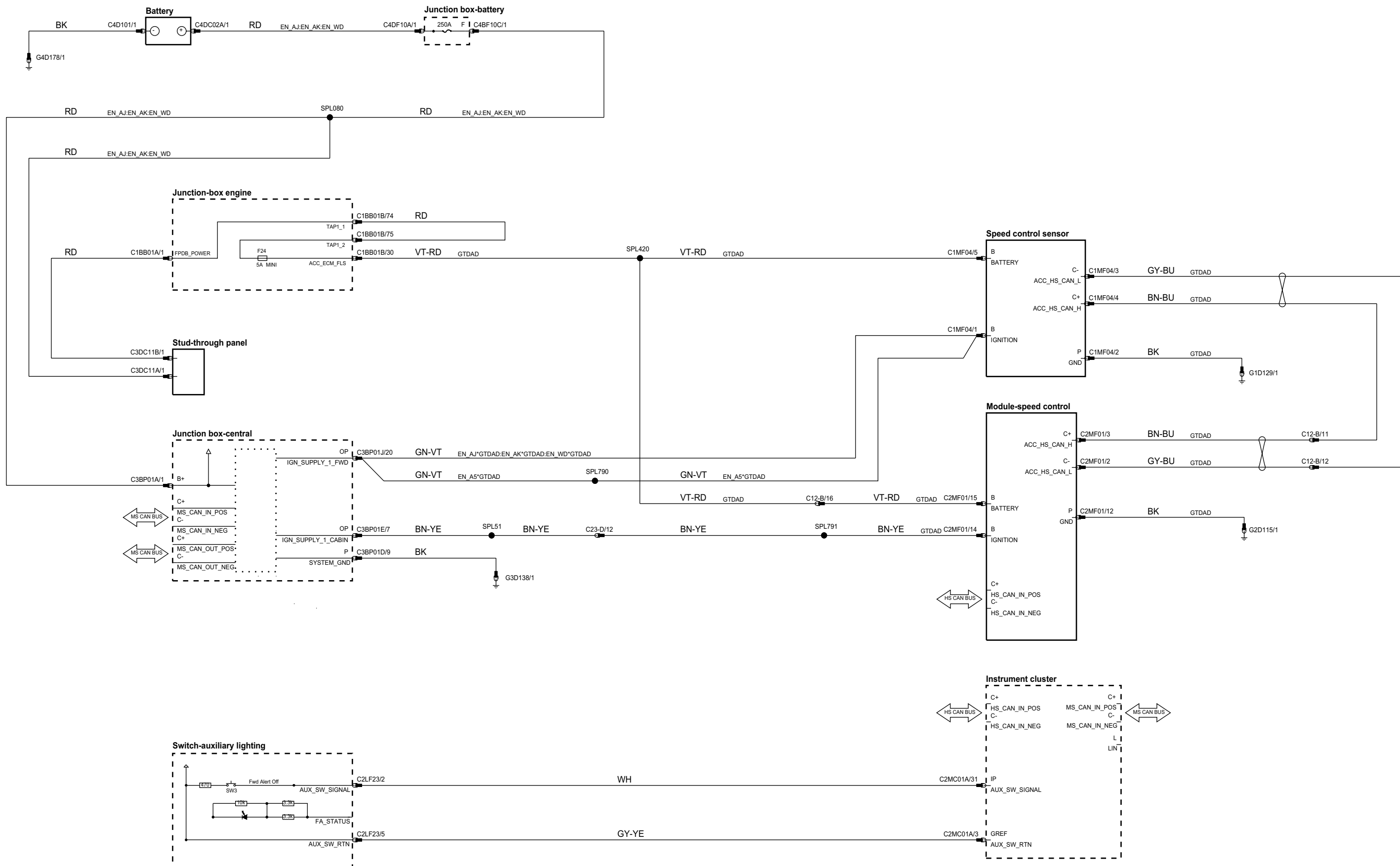


ph883-70190-d-af

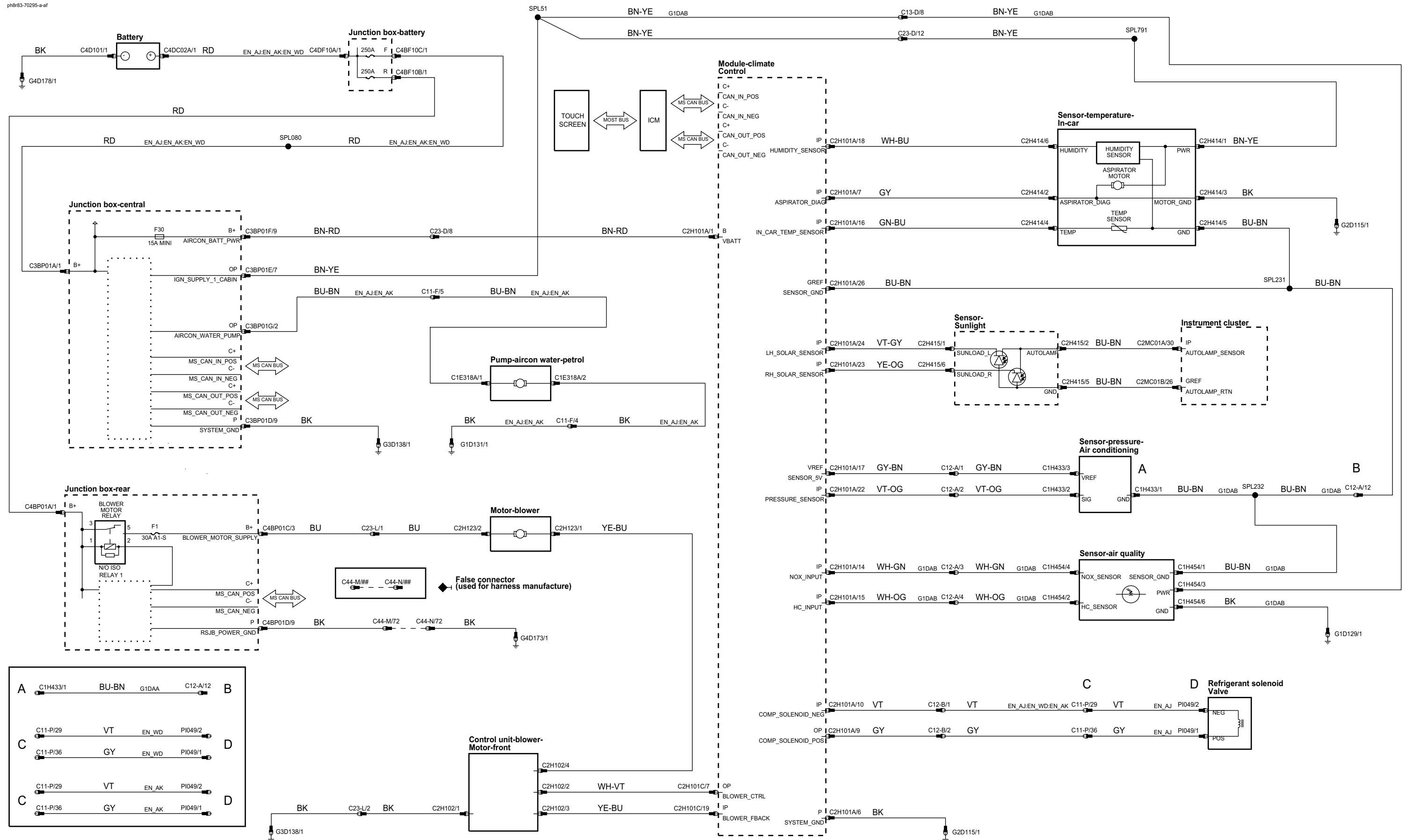




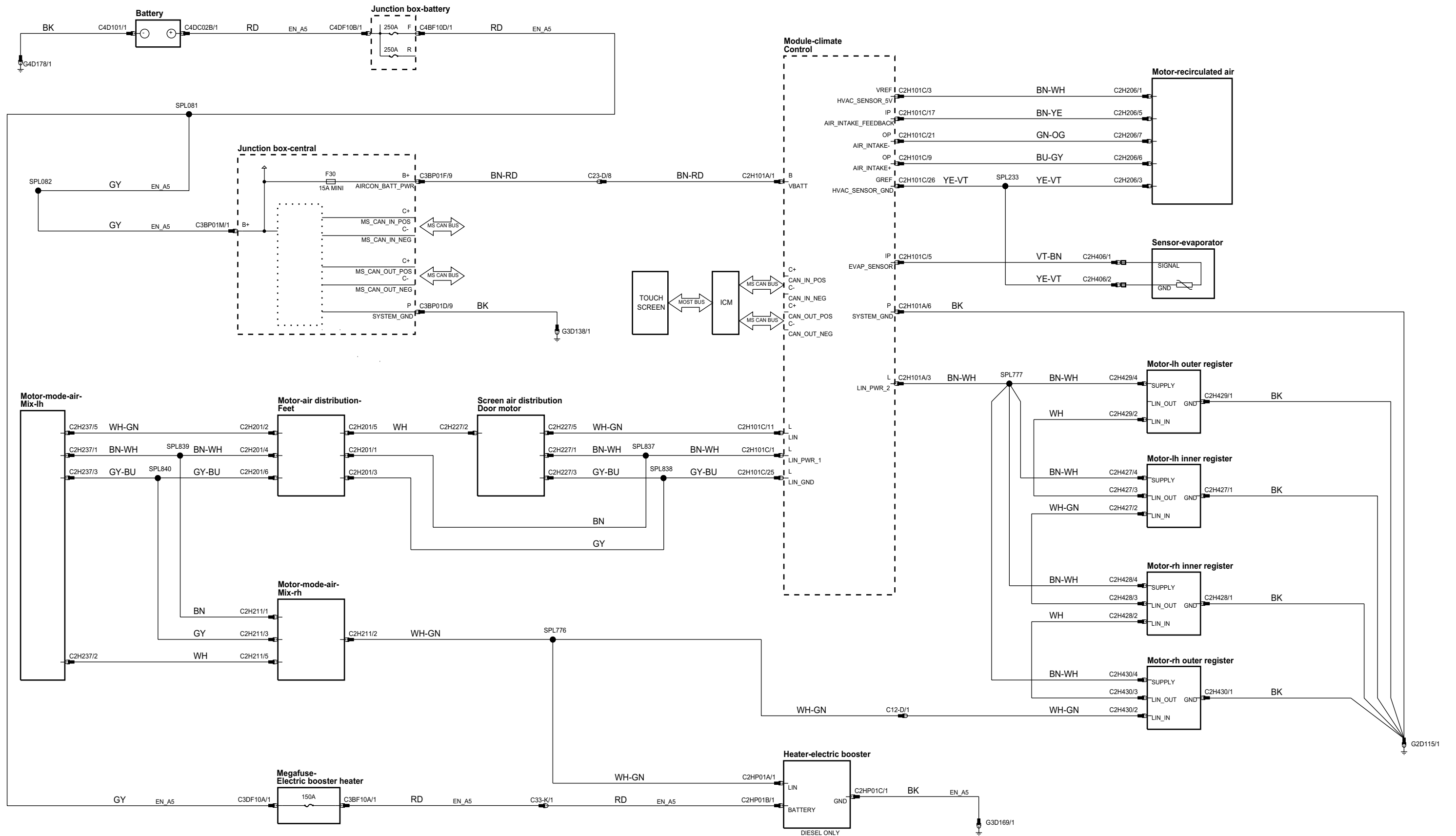
ph8/83-70486-a-af



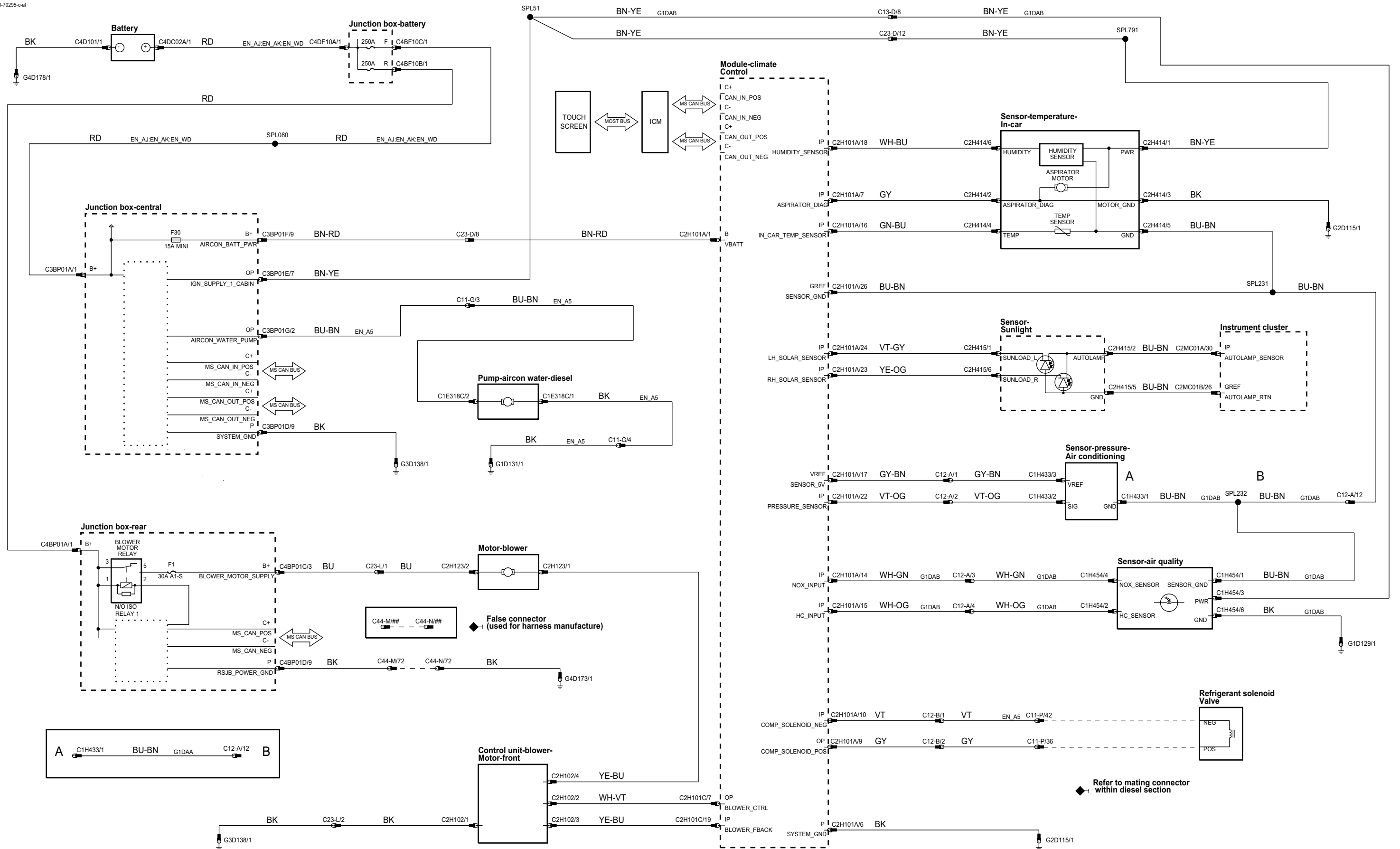
ph883-70295-a-af



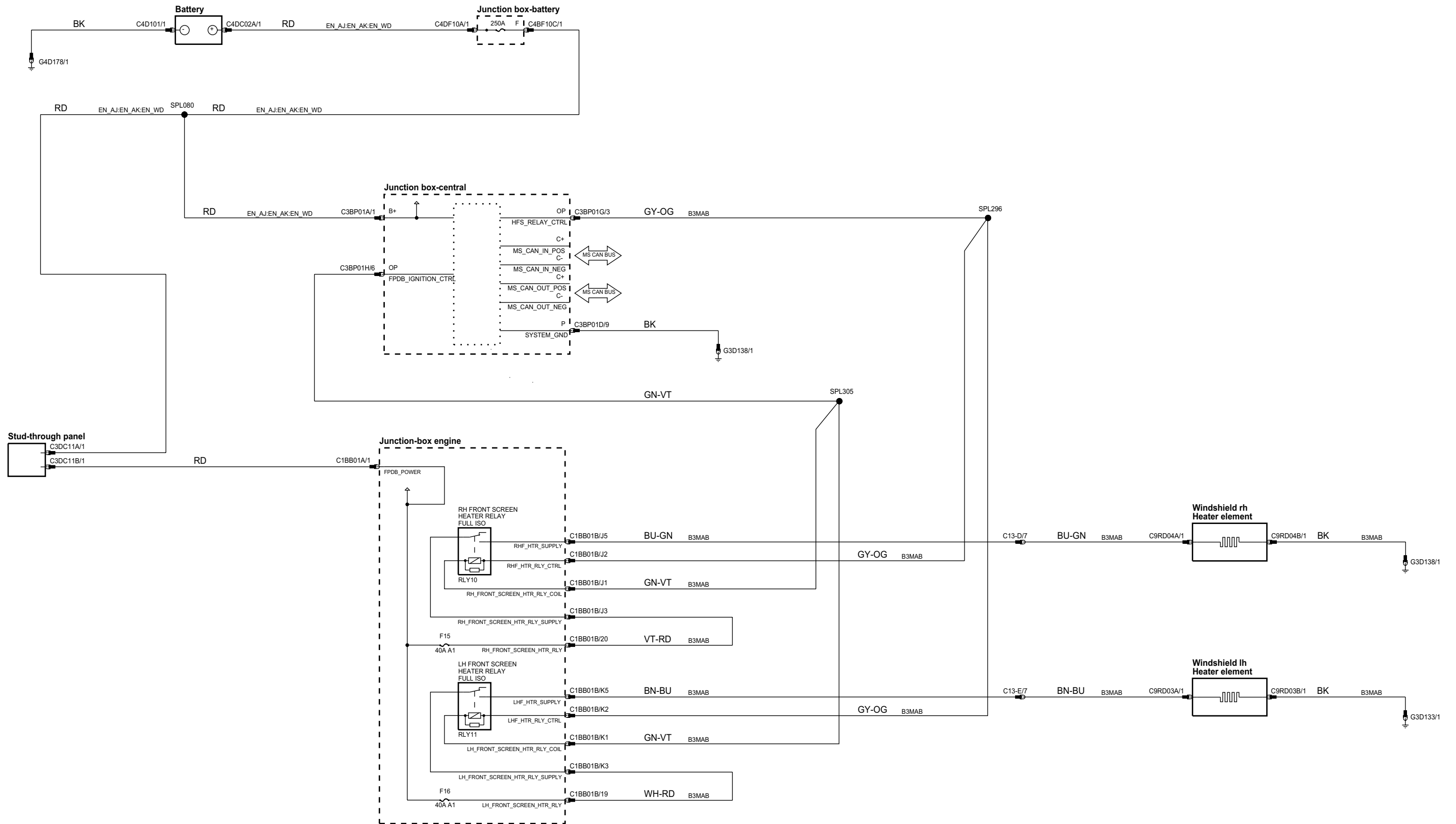
ph8/83-70295-b-af



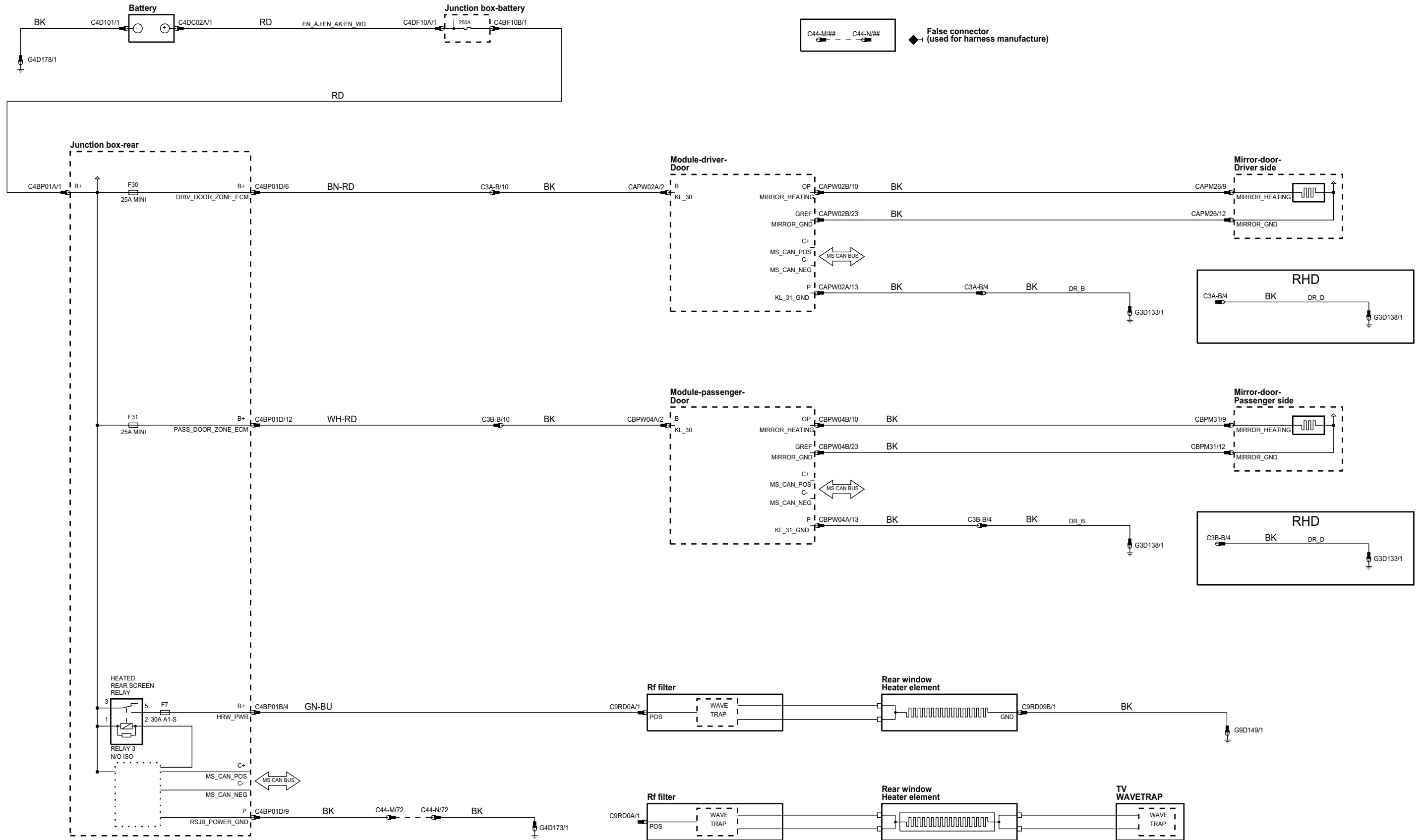
ph8r83-70295-c-af



ph8/83-70131-a-af

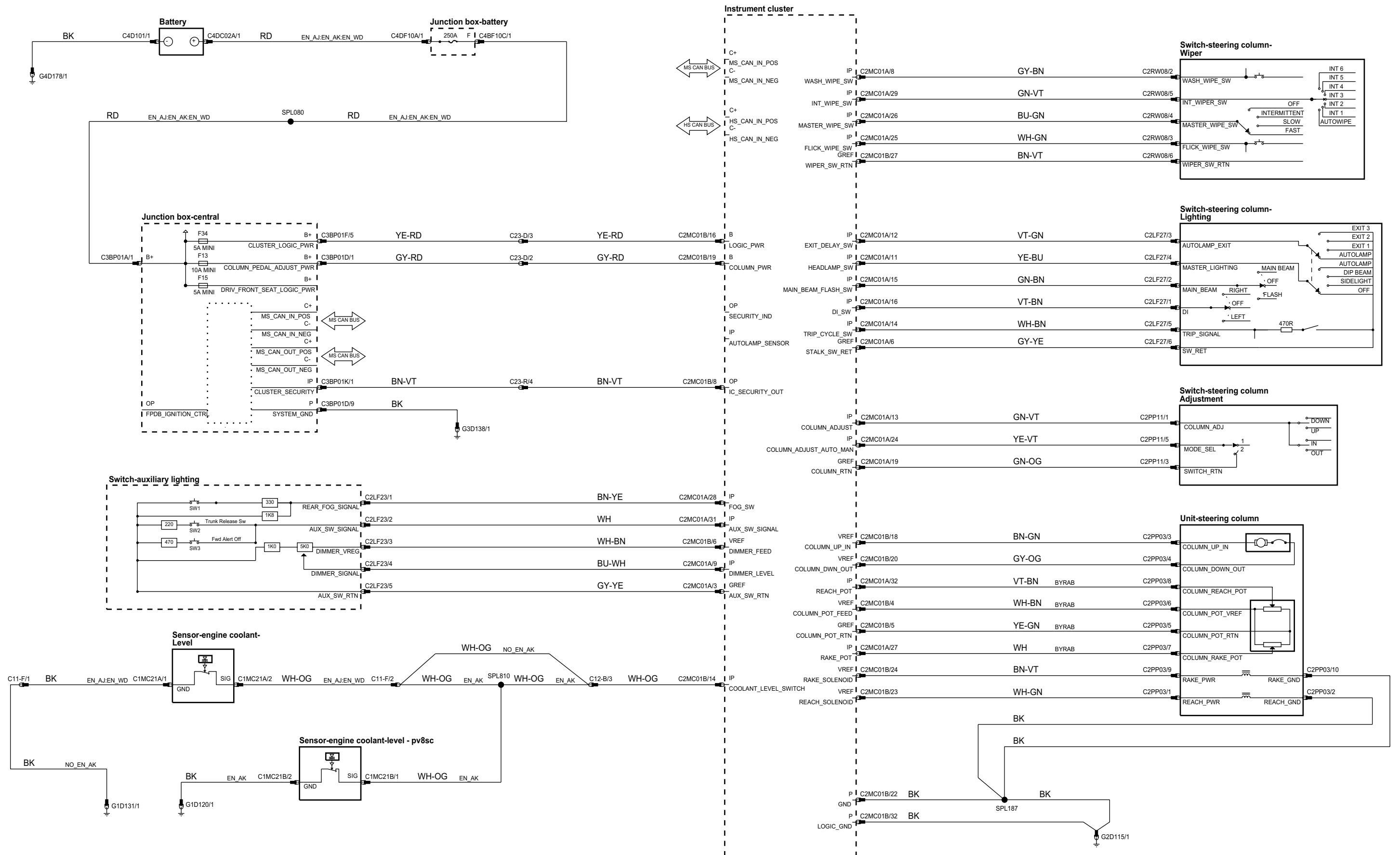


ph863-70132-a-af

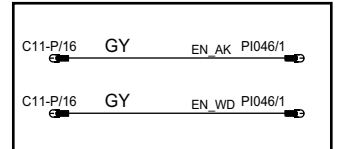
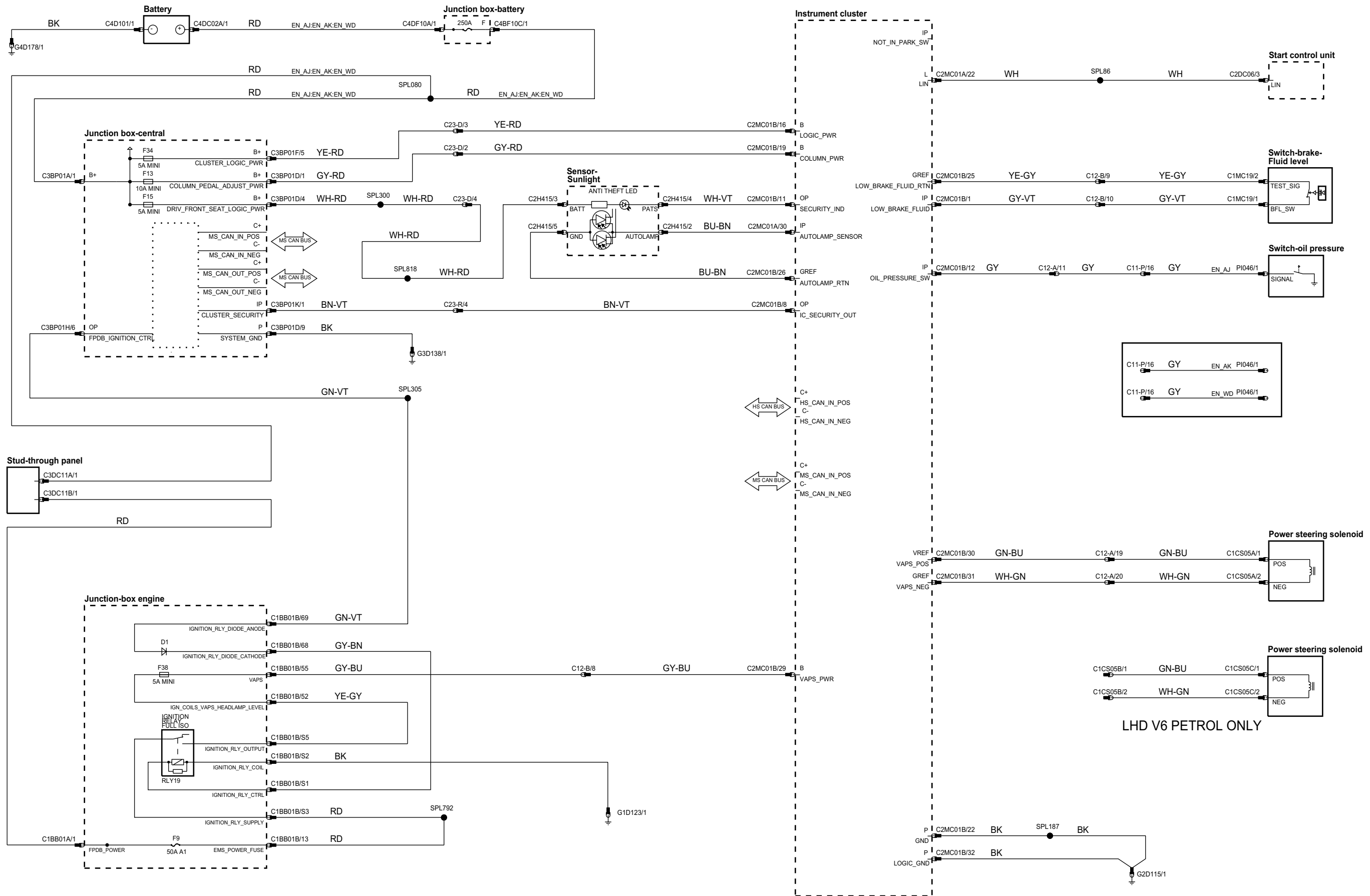


C44-M/## C44-N/##  
 False connector (used for harness manufacture)

ph8r83-70210-a-af



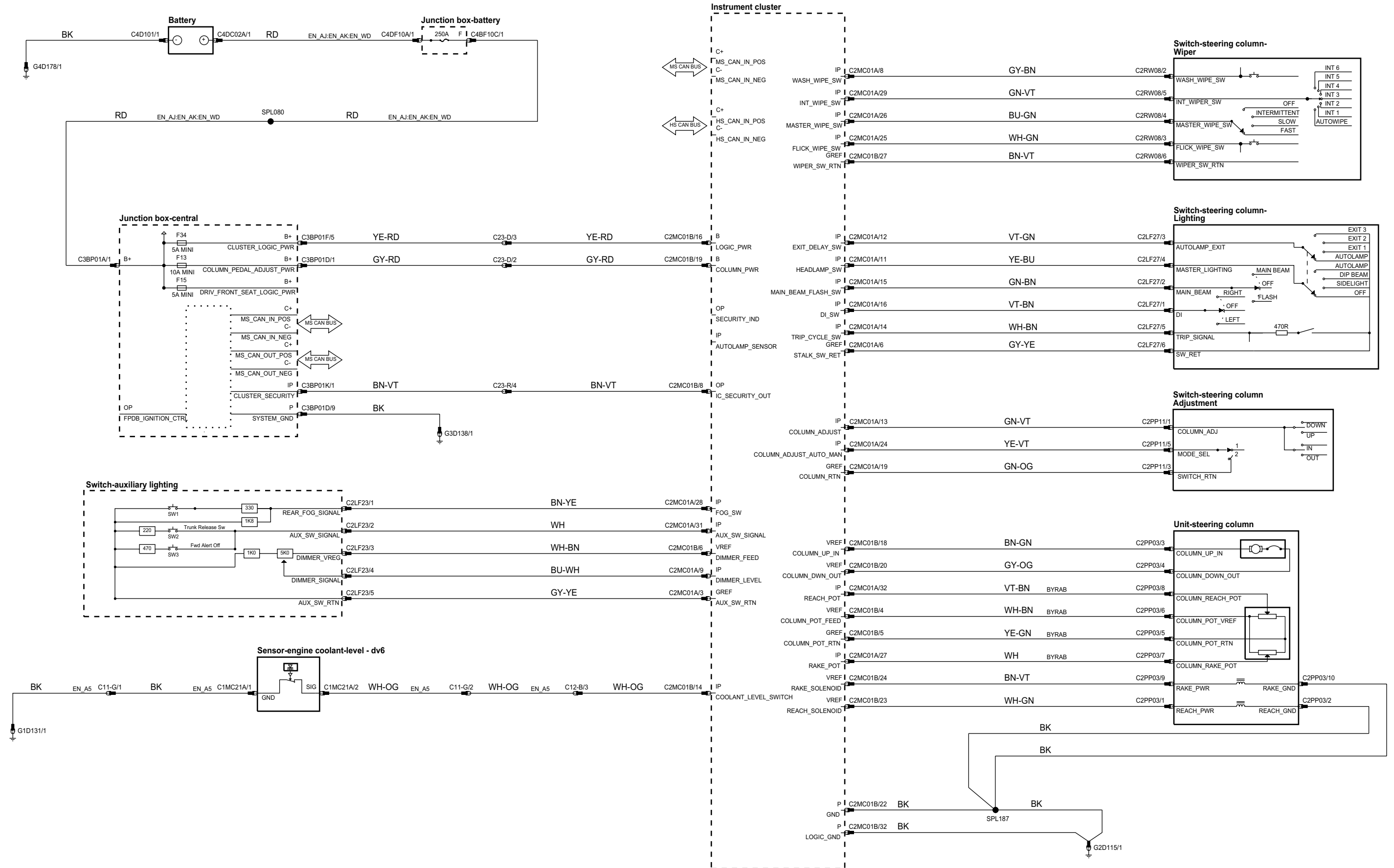
ph883-70210-b-af



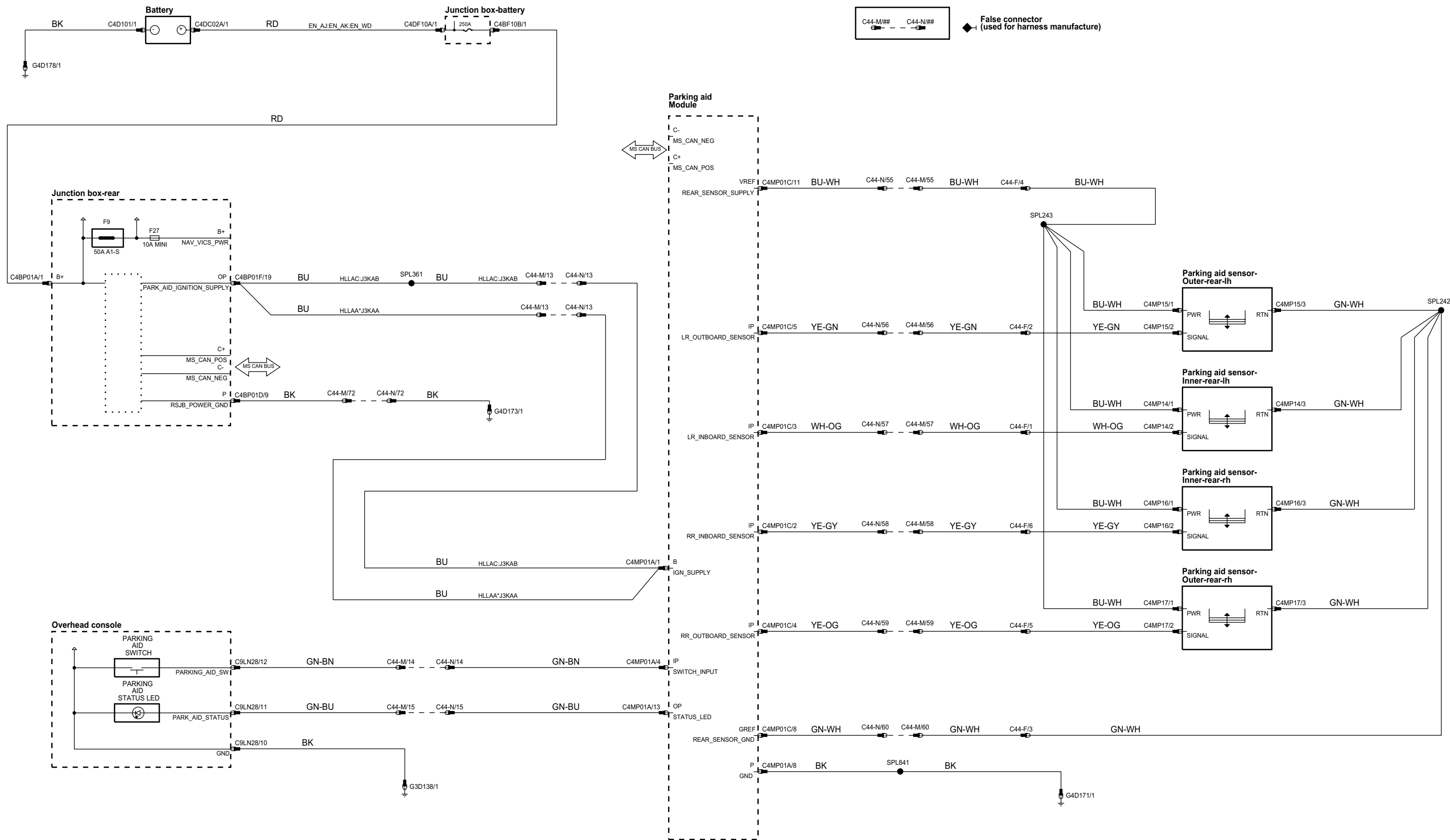
LHD V6 PETROL ONLY



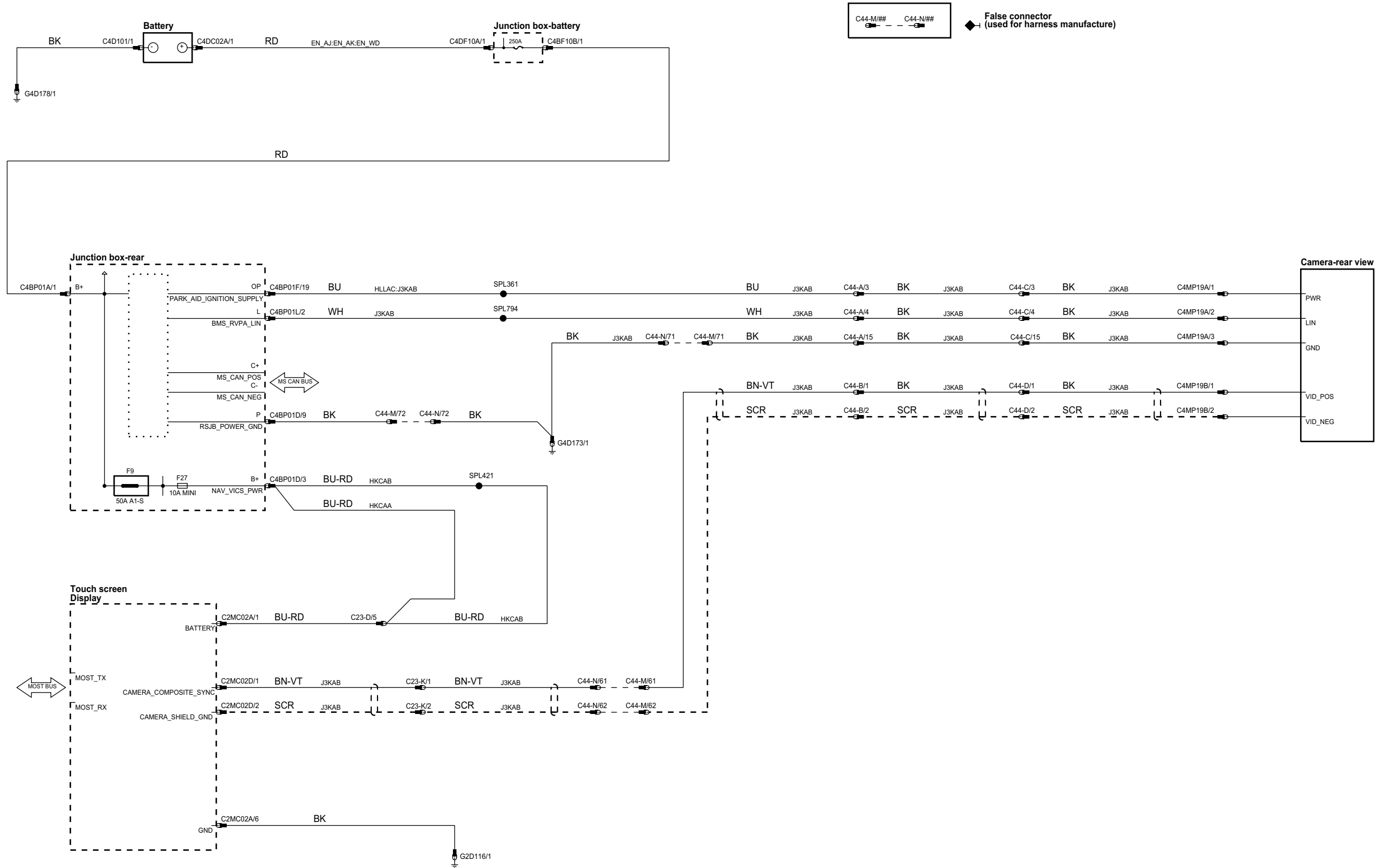
ph8r83-70210-d-af



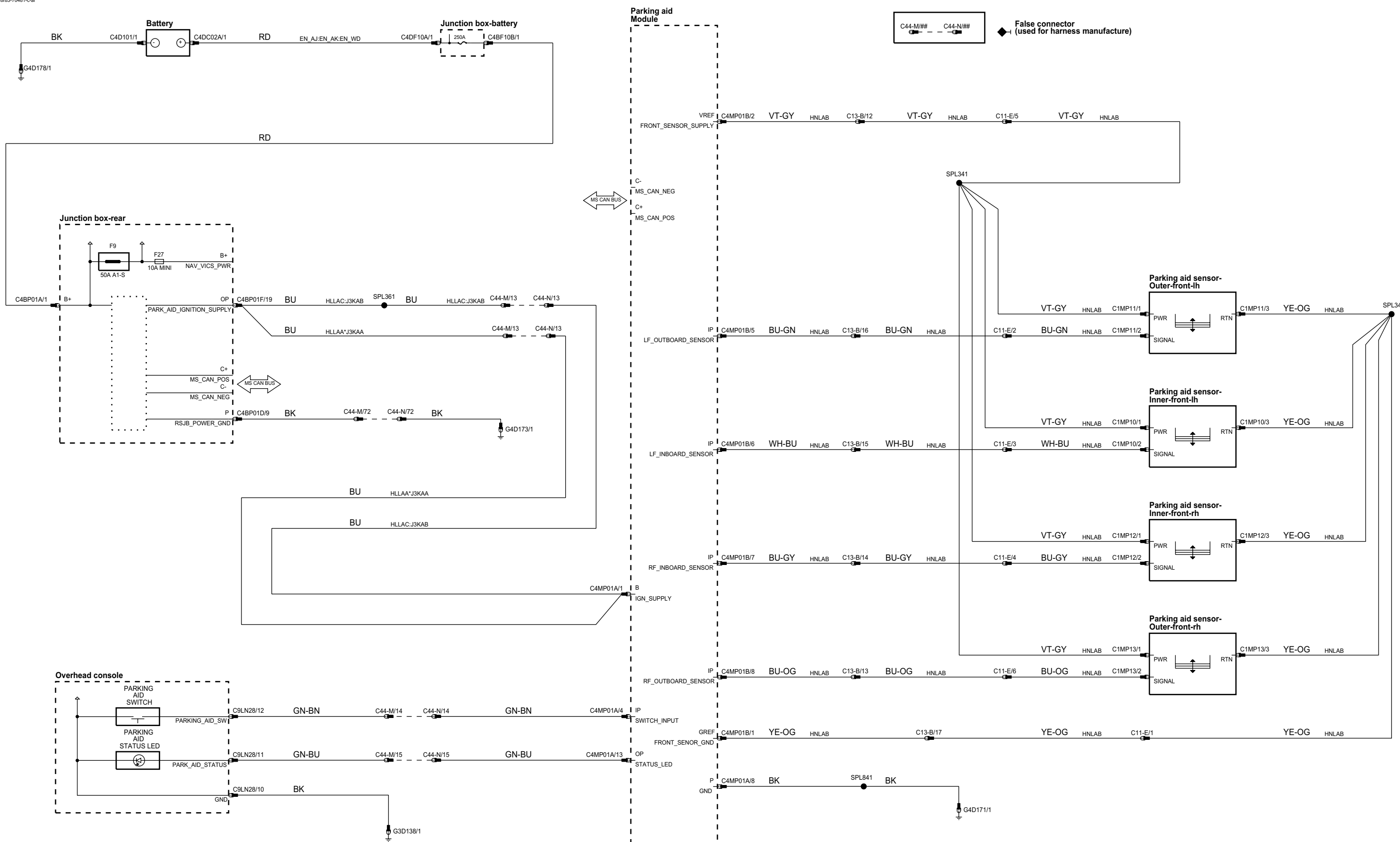
ph883-70481-a-af



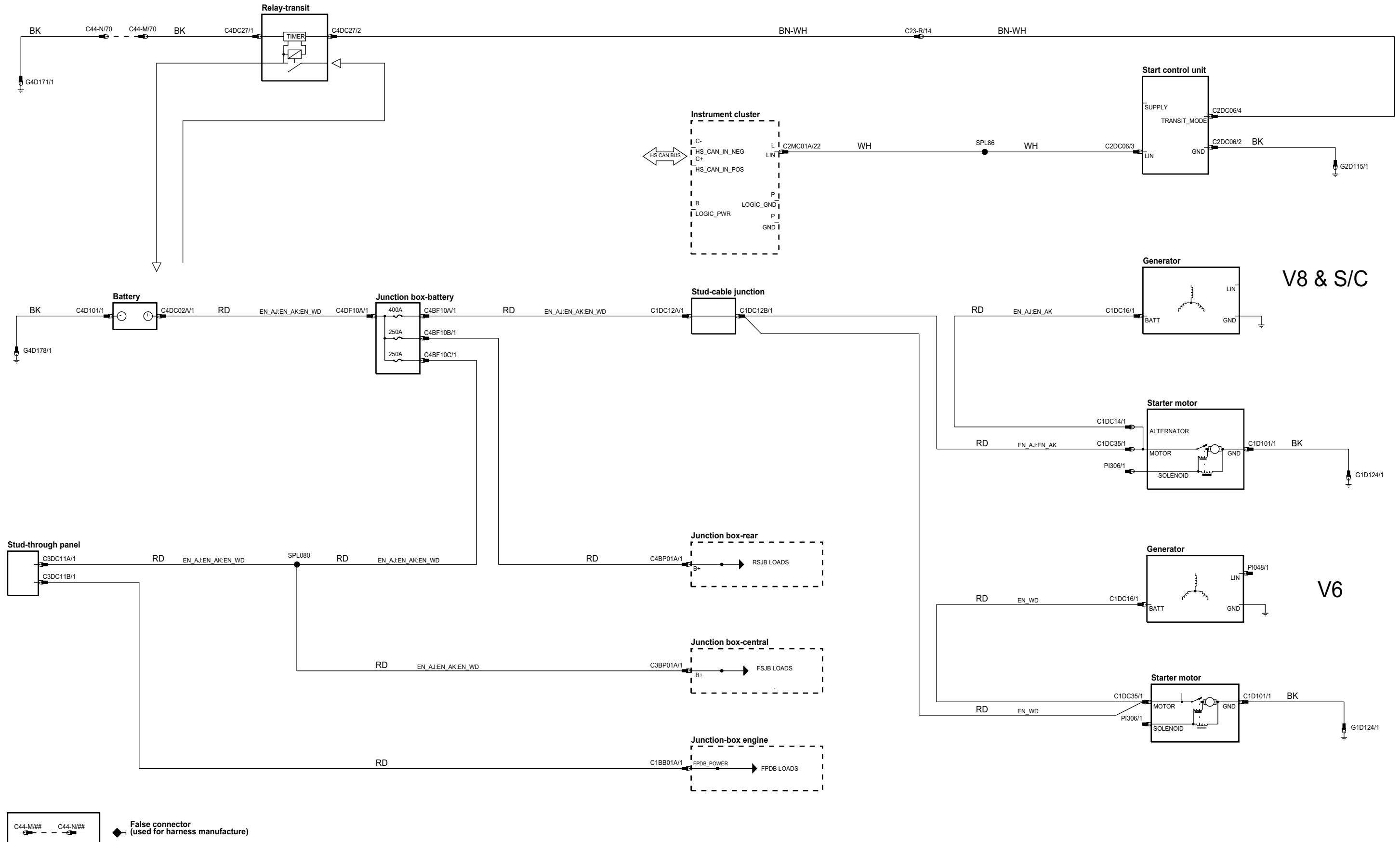
ph8/83-70481-b-af



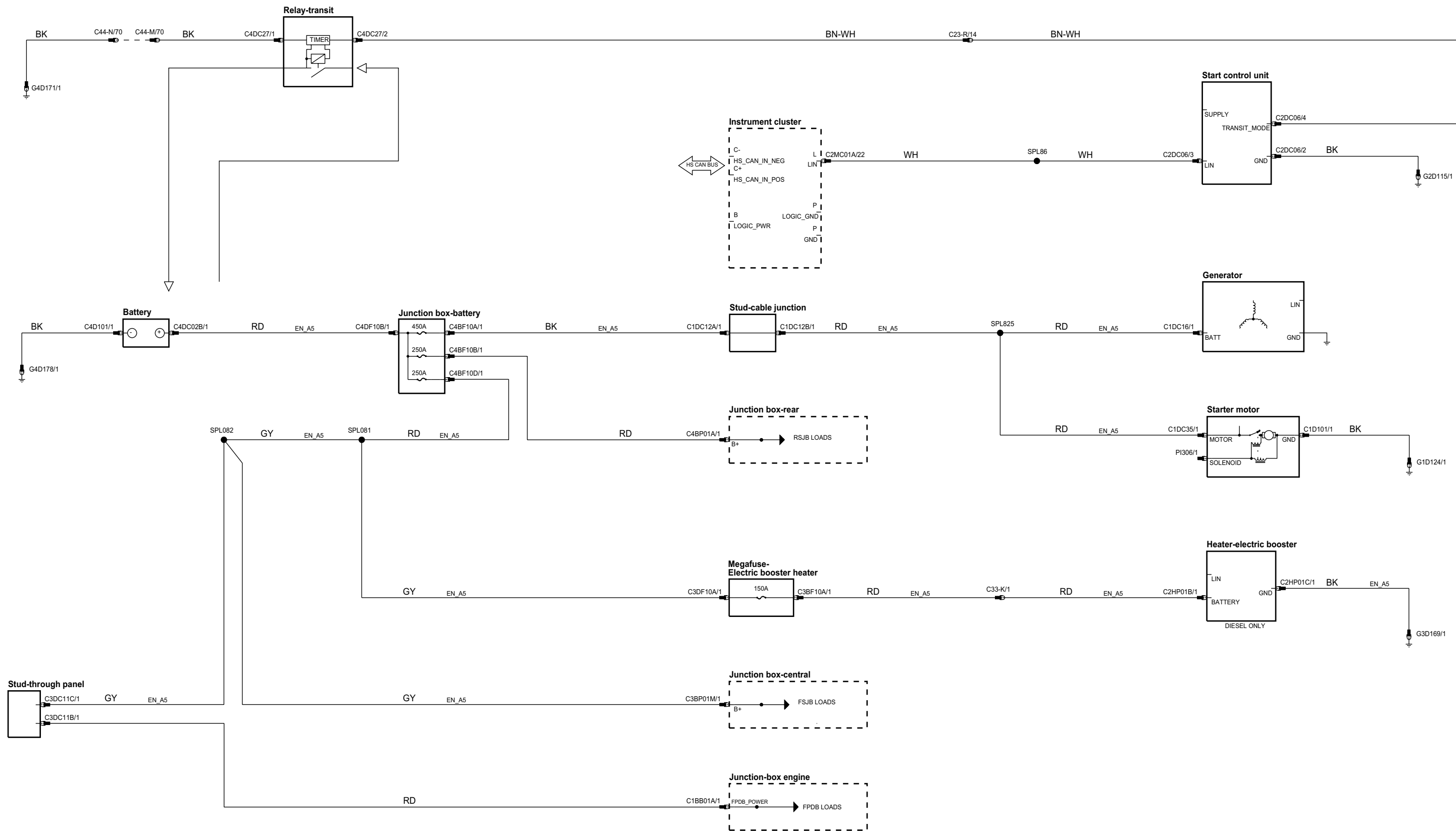
ph883-70481-c-af



ph8r63-70010-a-af



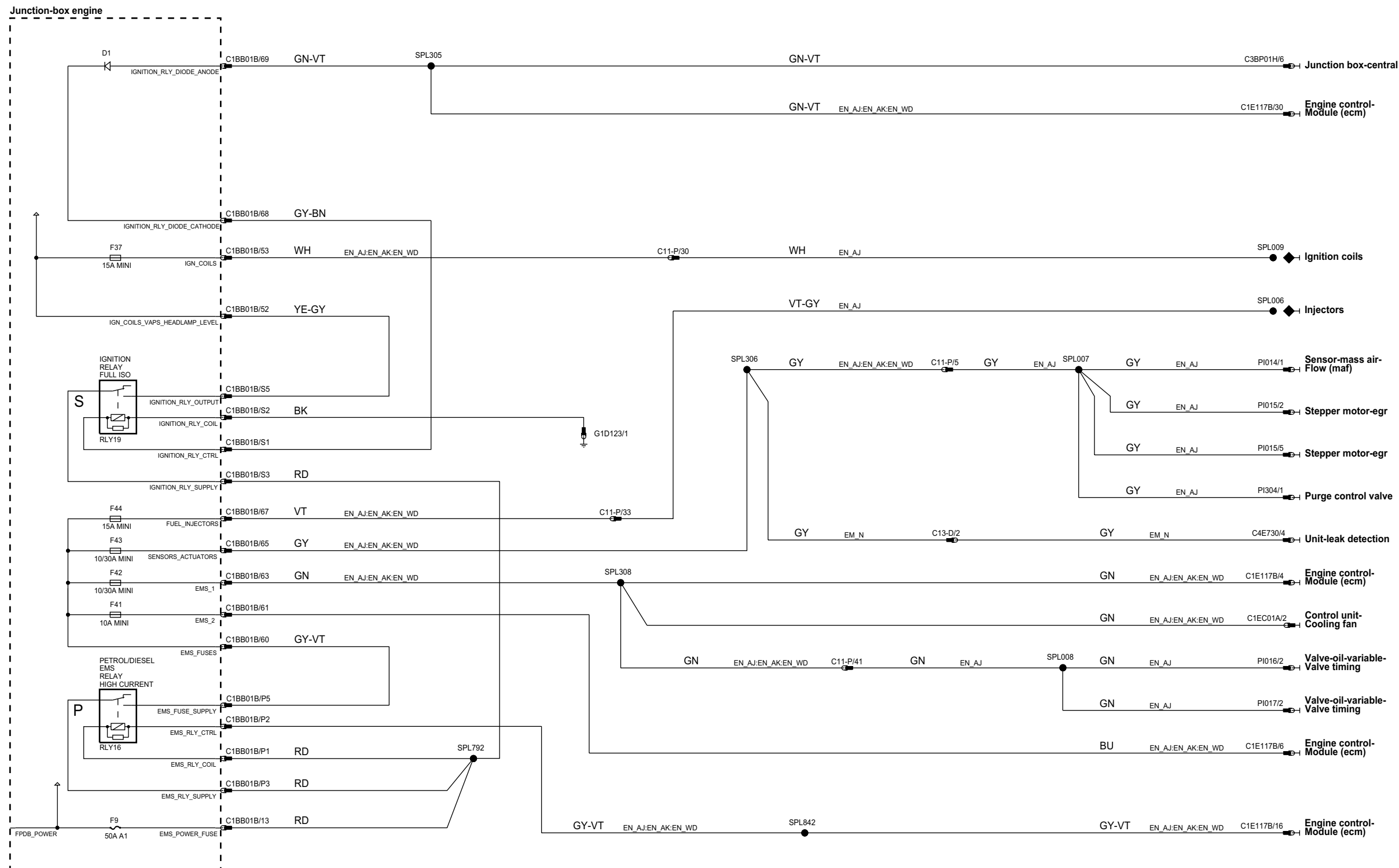
ph883-70010-b-af



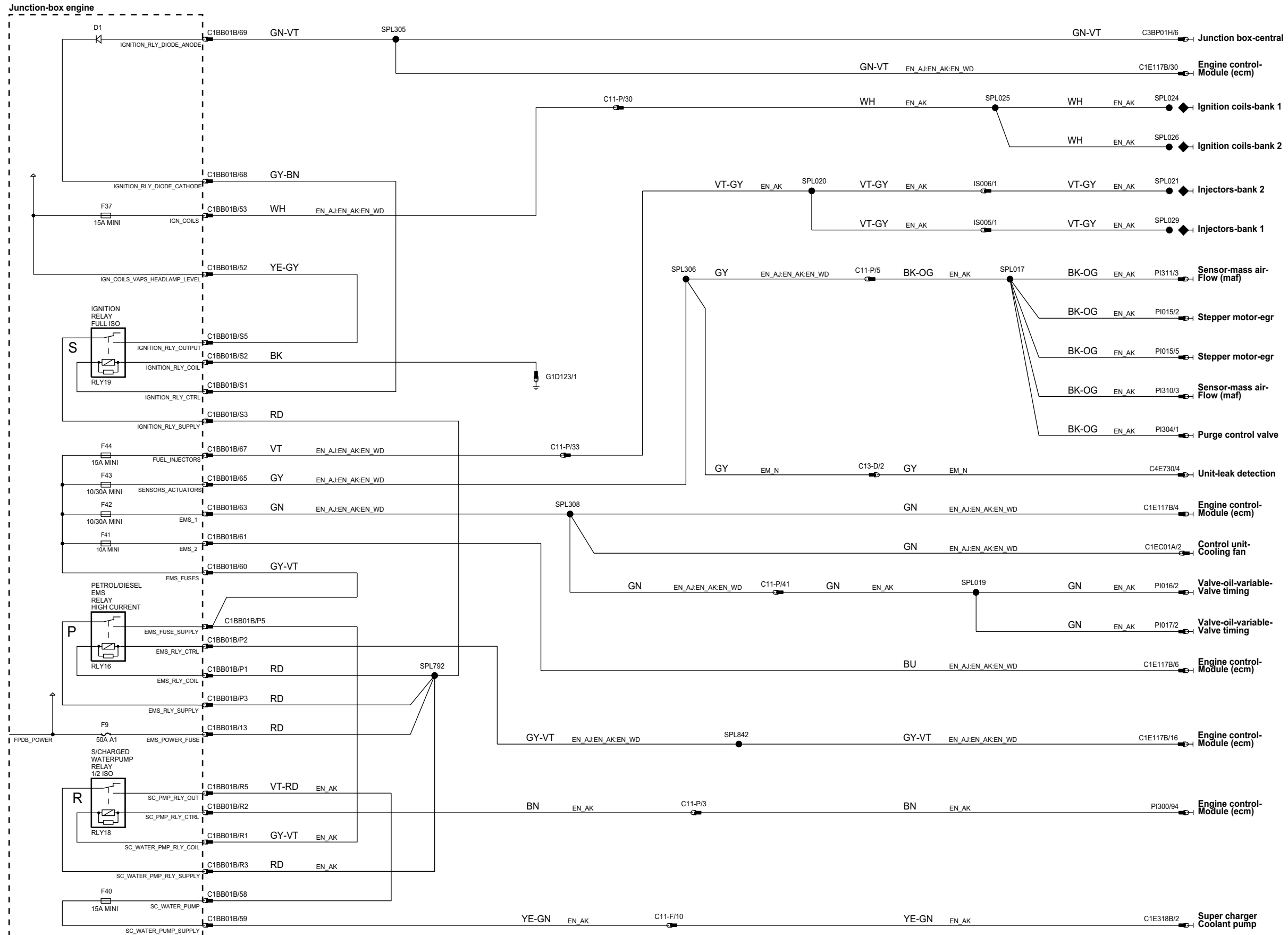
C44-M/##    C44-N/##     False connector (used for harness manufacture)

x

ph8/83-70010-c-af

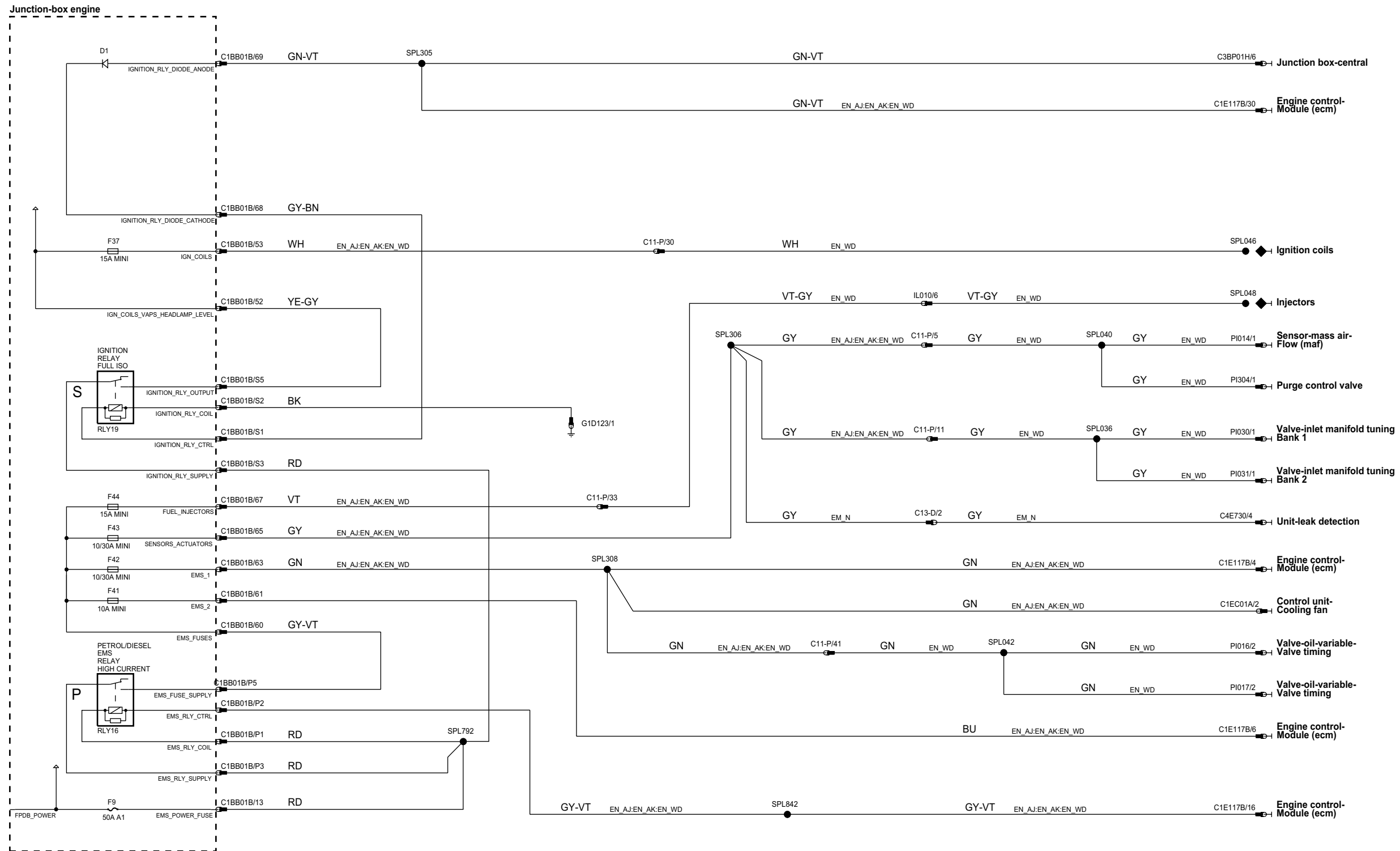


ph883-70010-d-af

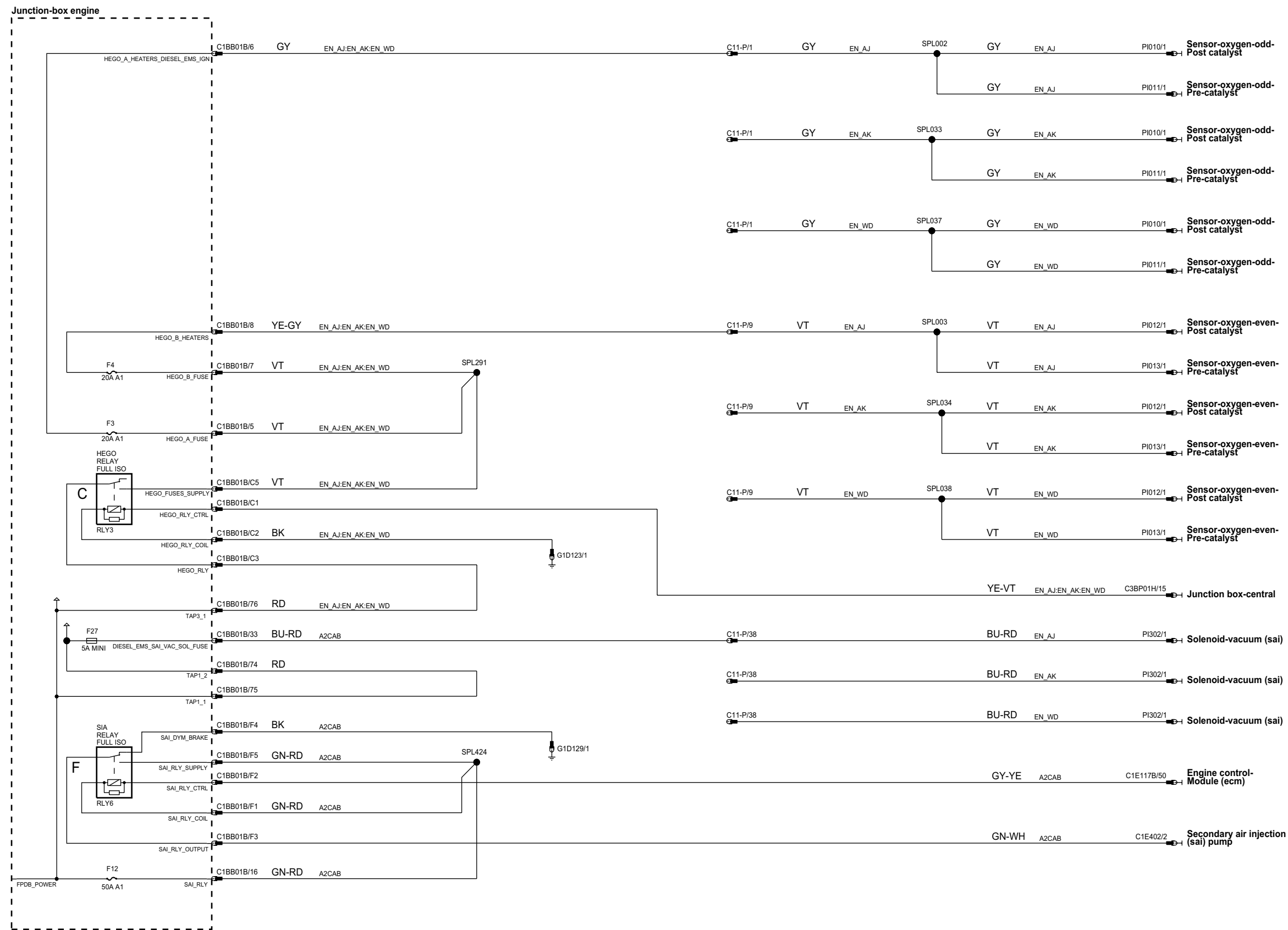




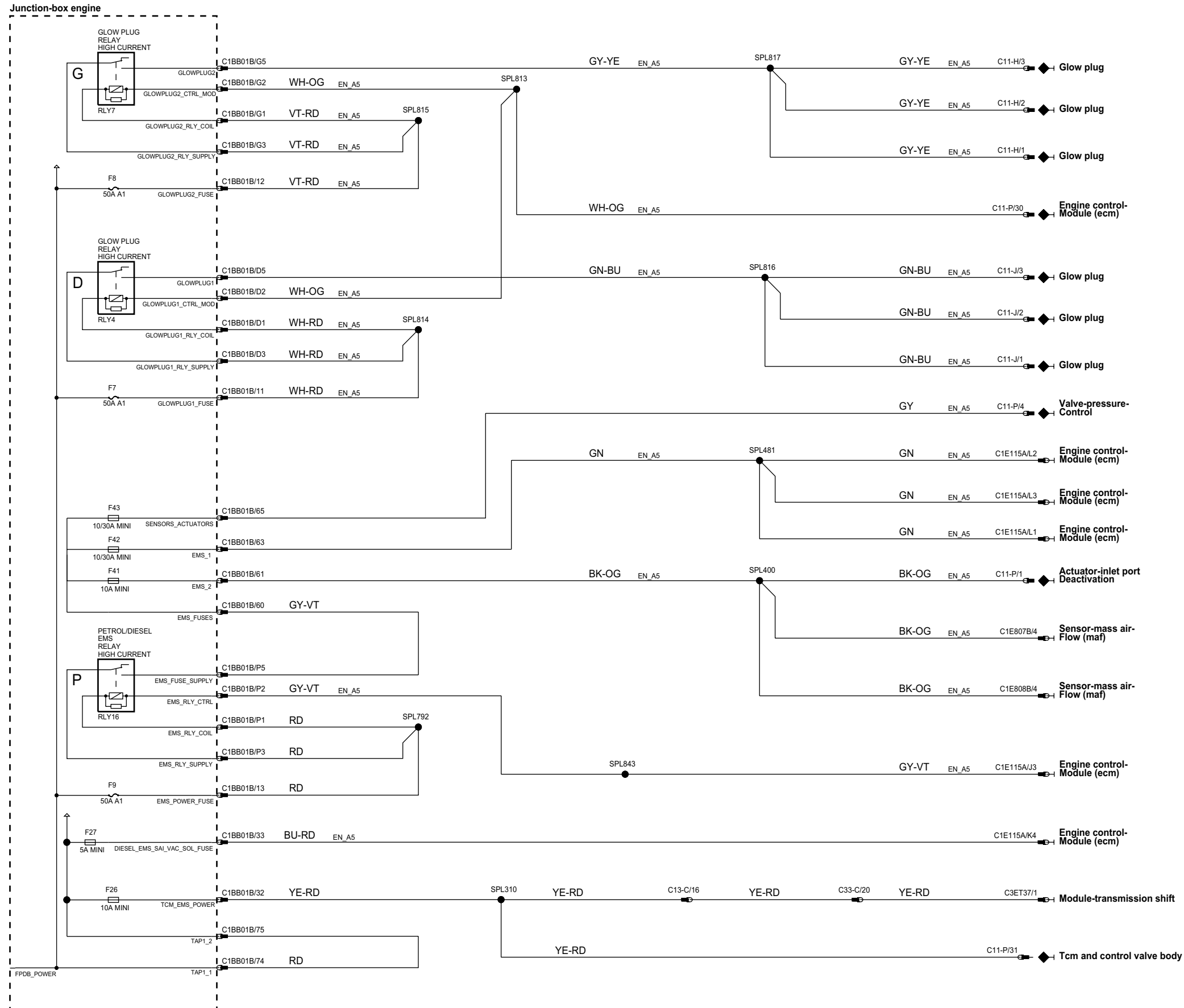
ph8/83-70010-e-af



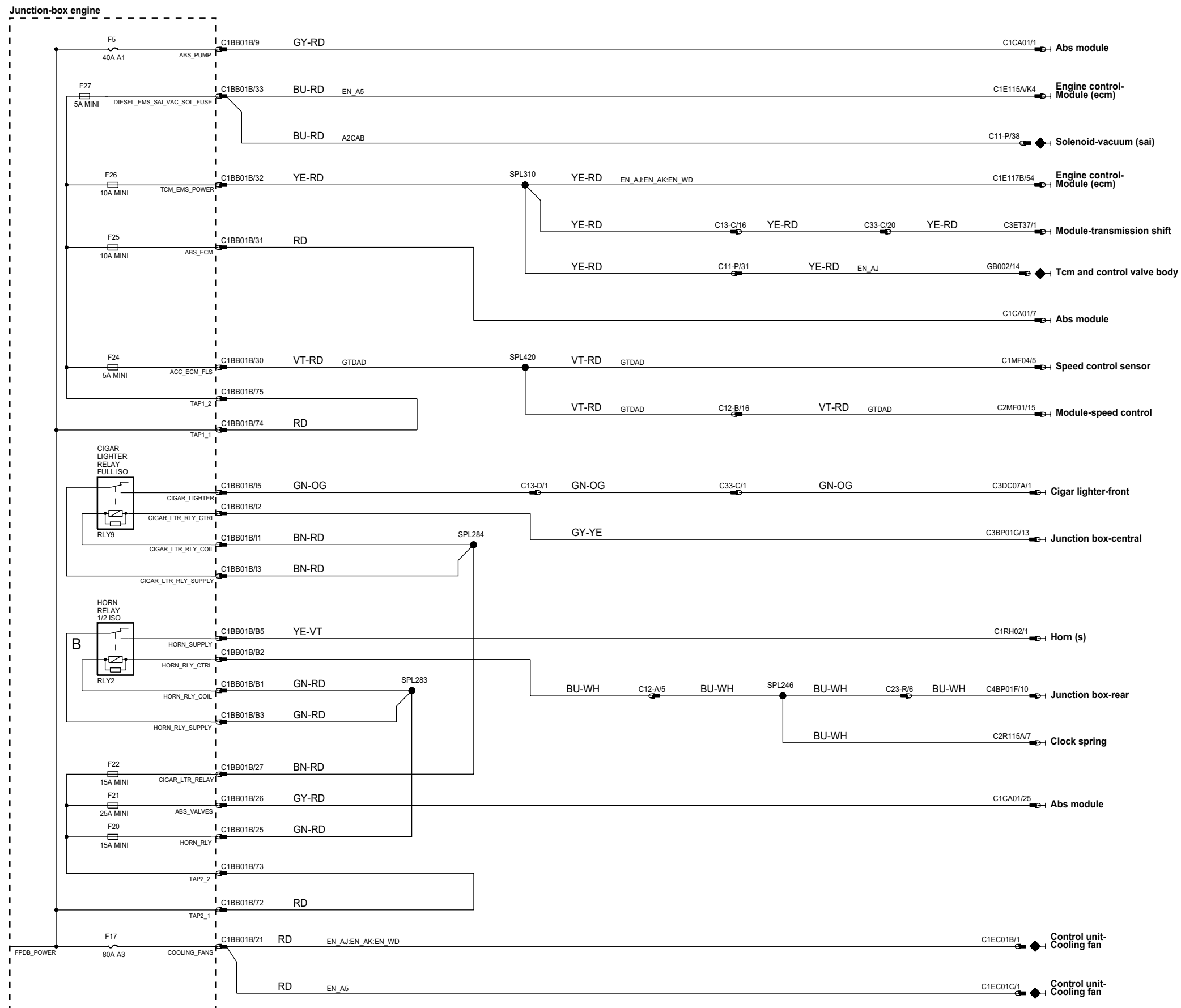
ph883-70010-f-af



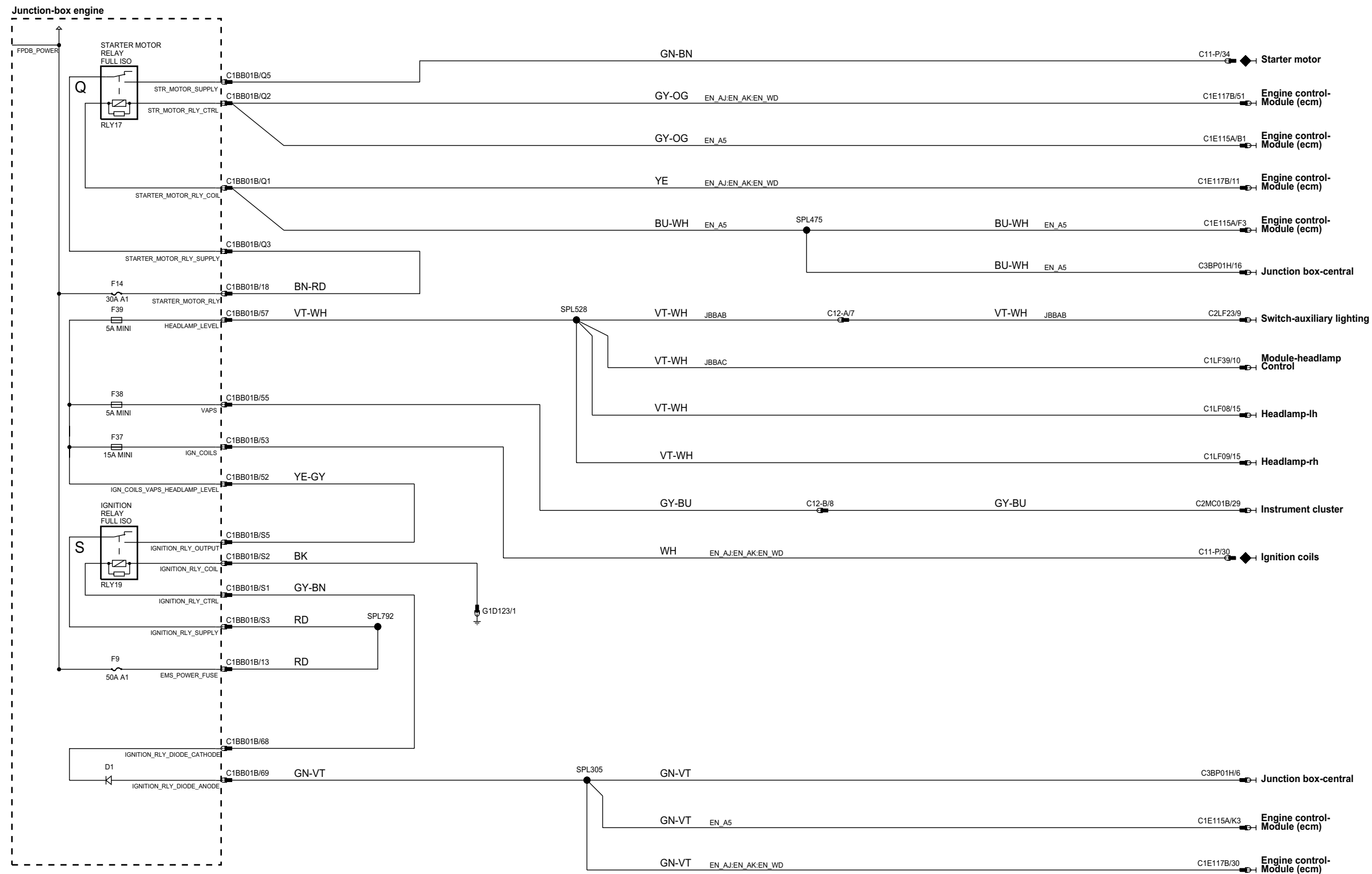
ph8/83-70010-g-af



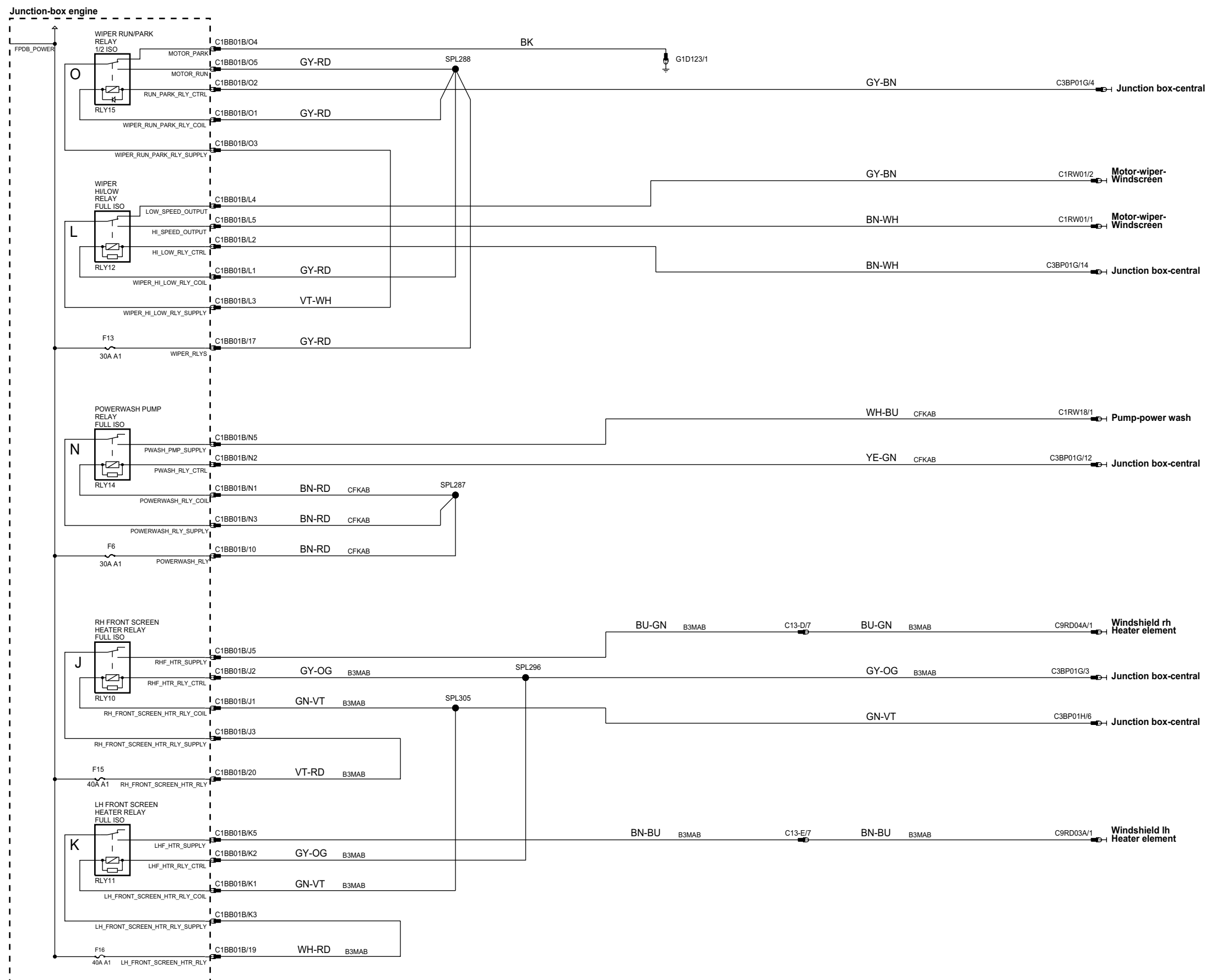
ph883-70010-h-af



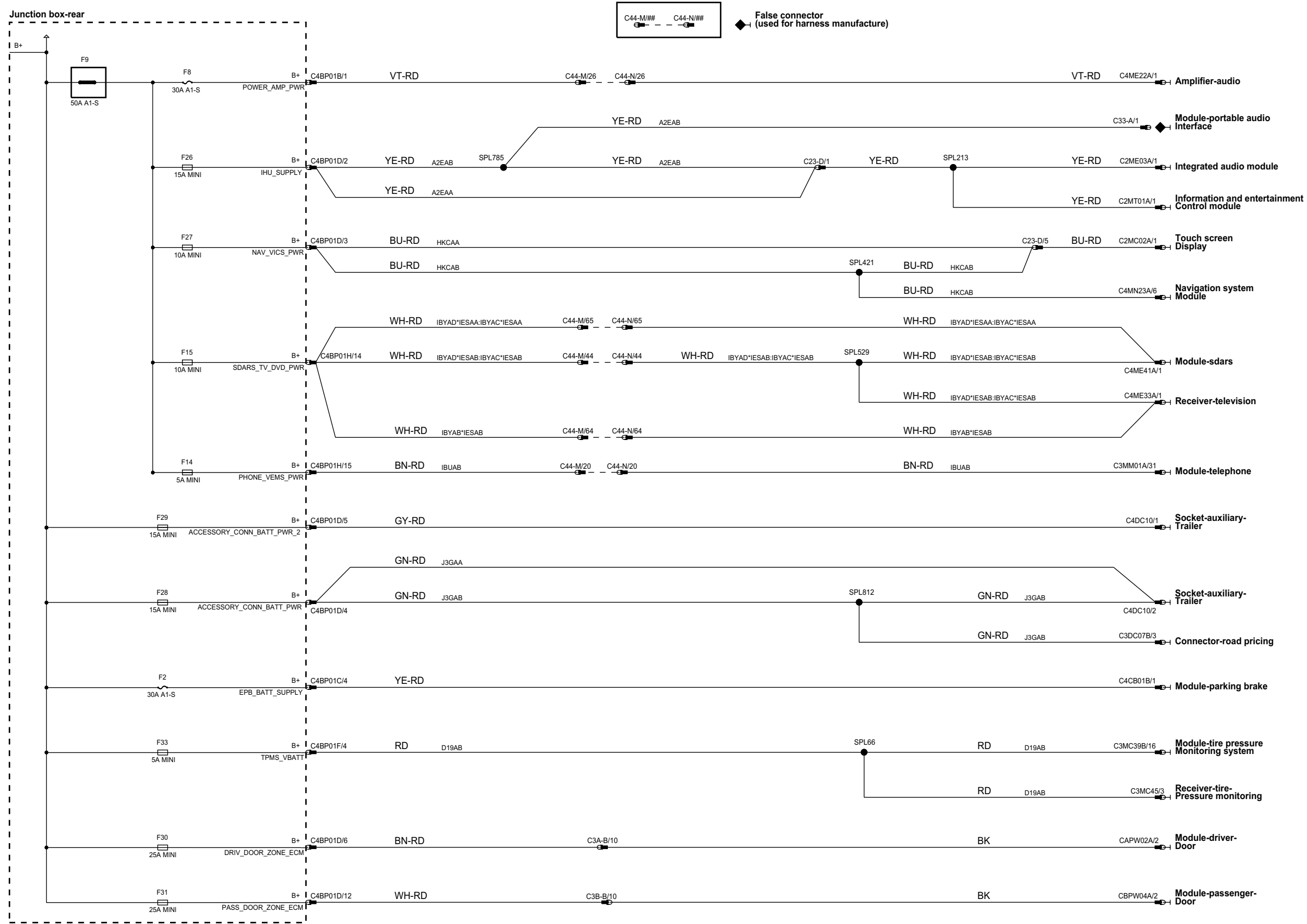
ph8/83-70010-j-af



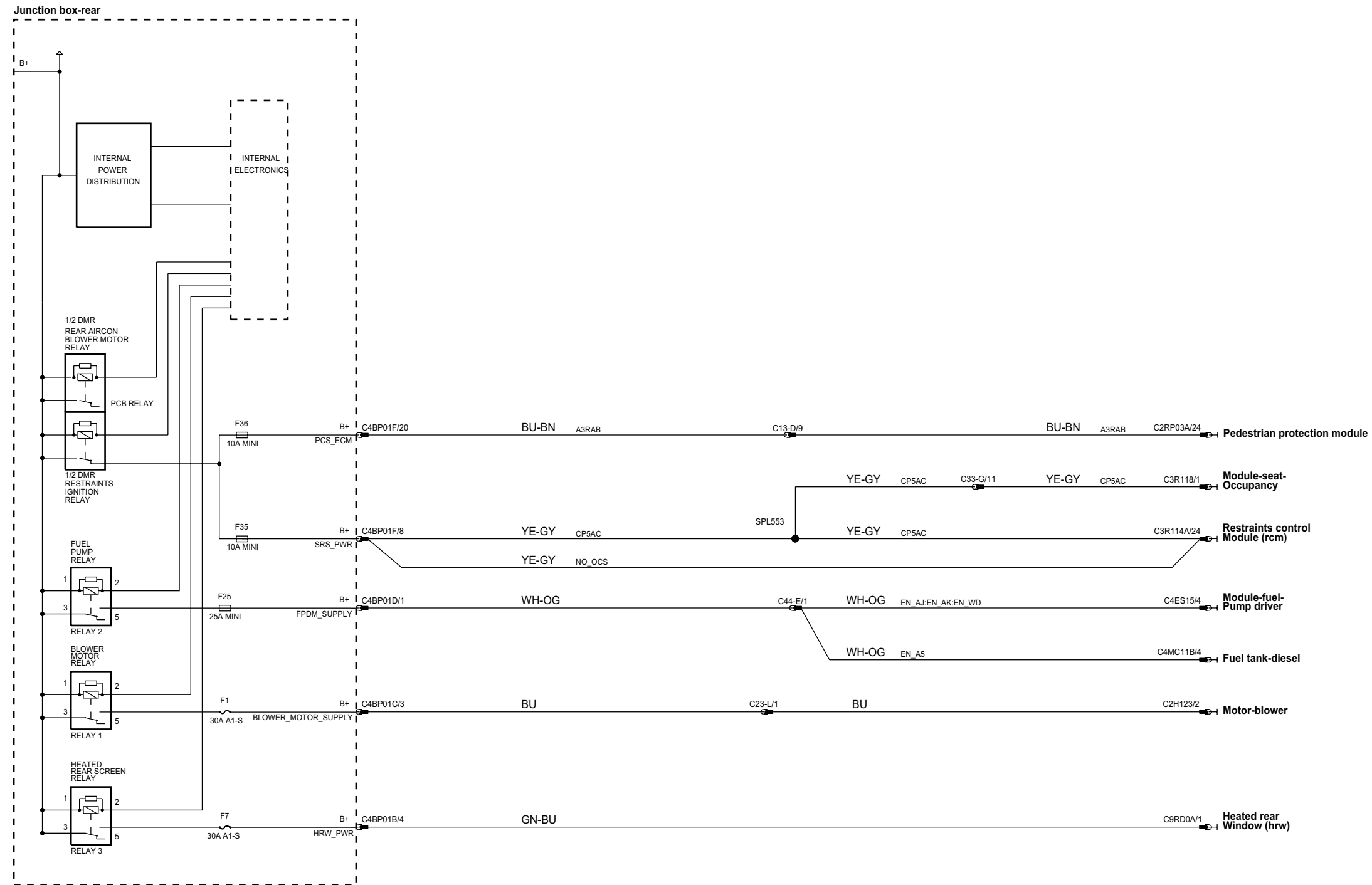
ph883-70010-k-af



ph8/83-70010+af



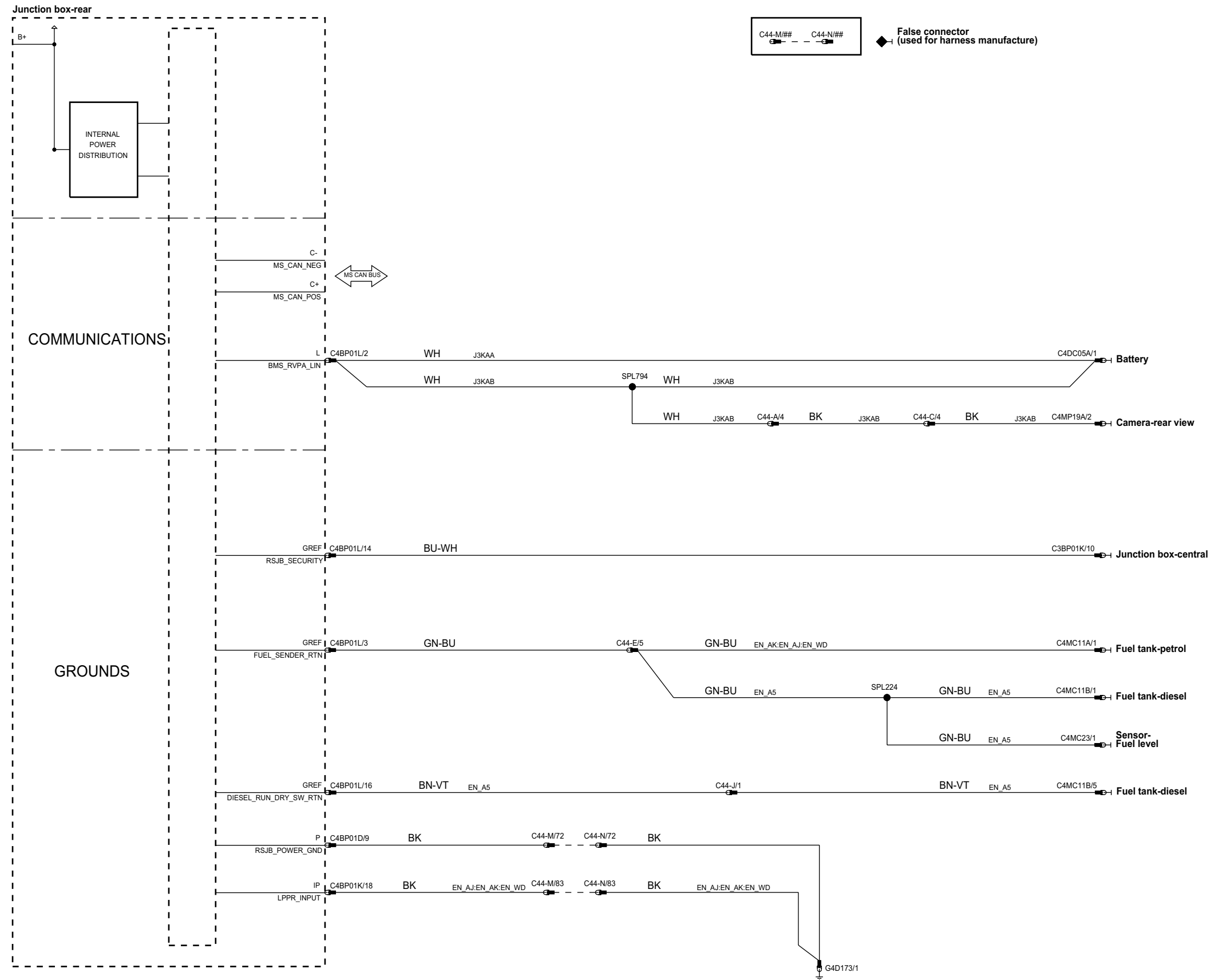
ph883-70010-m-af



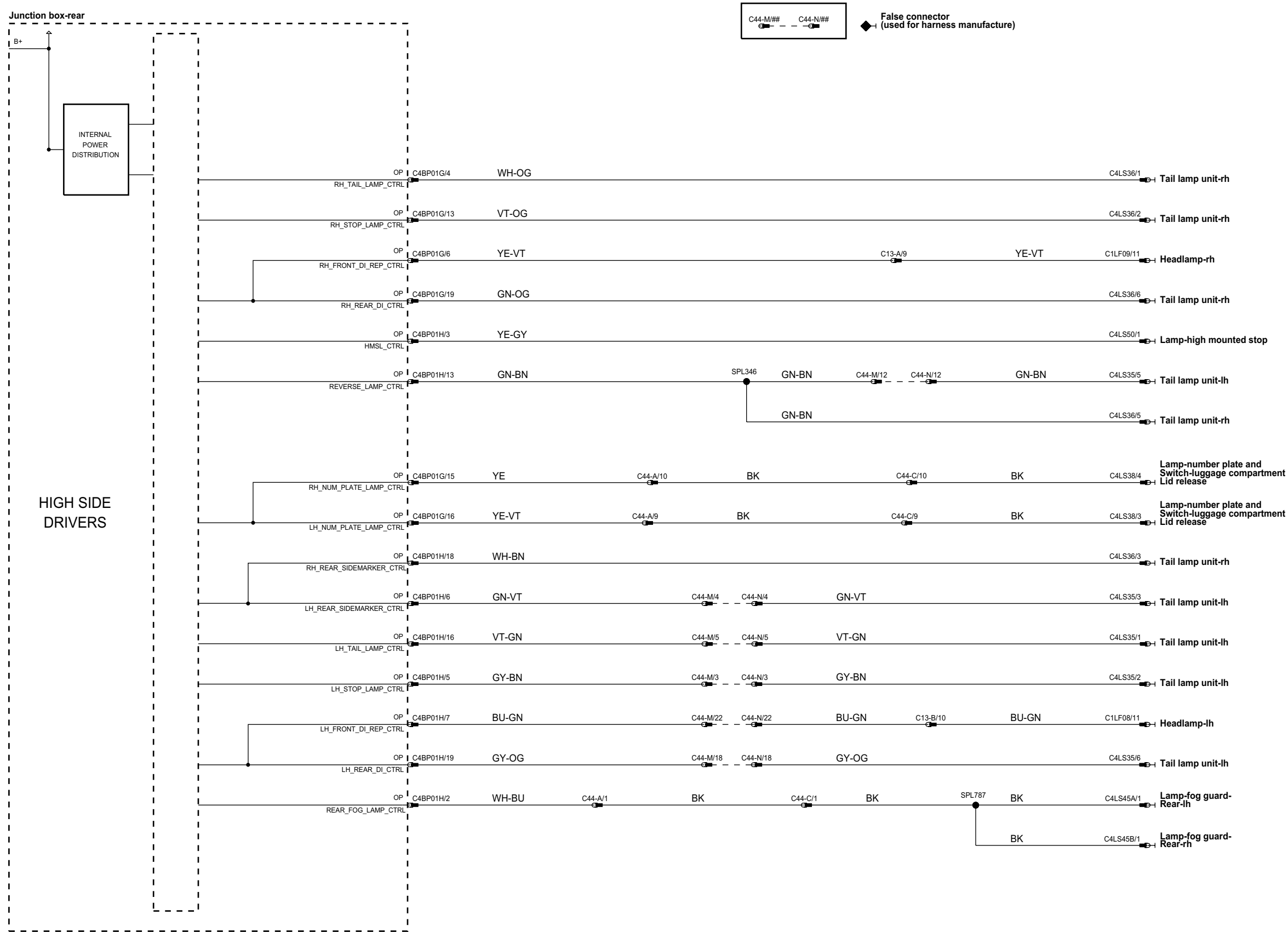
x



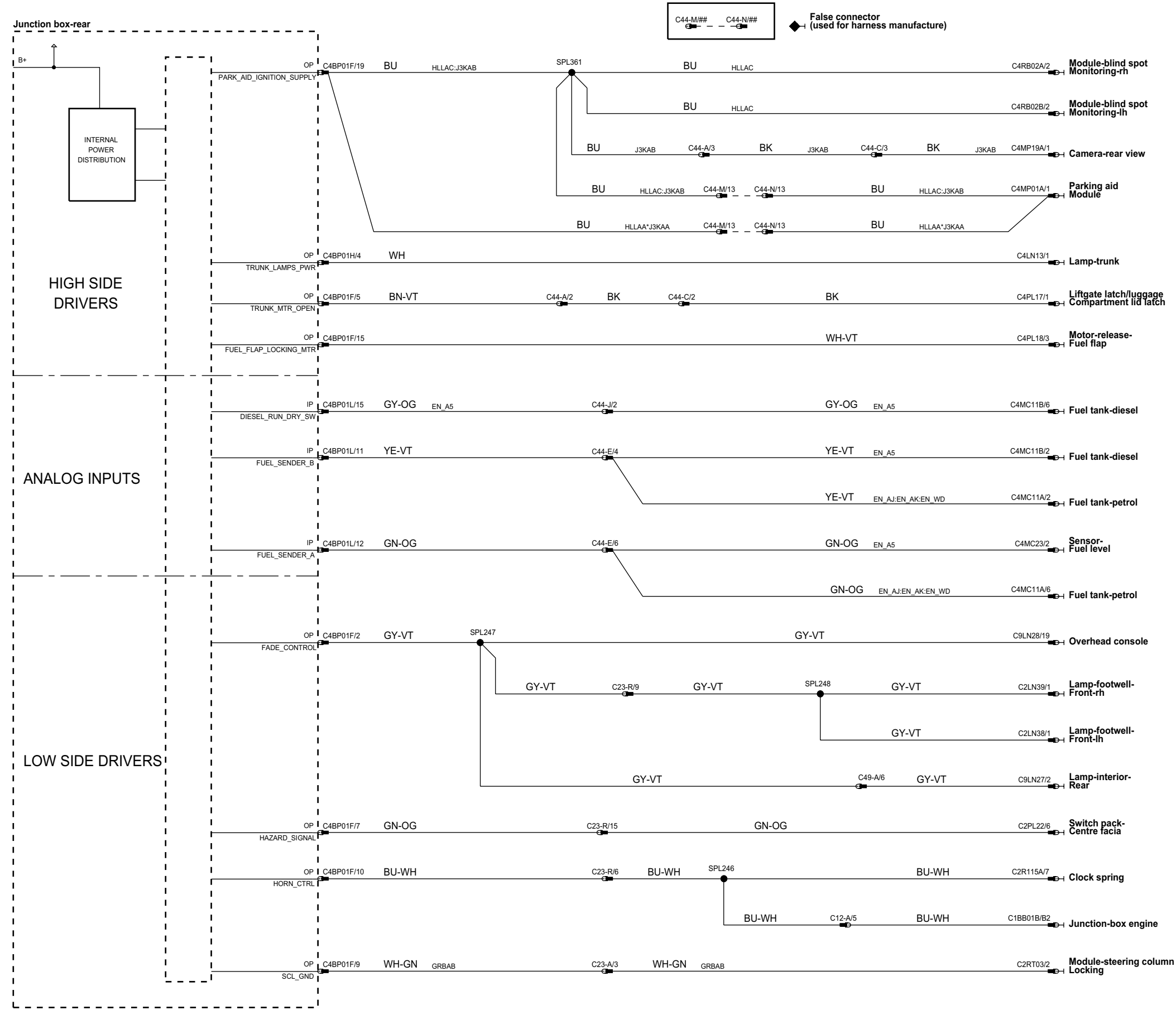
ph8/83-70010-n-af



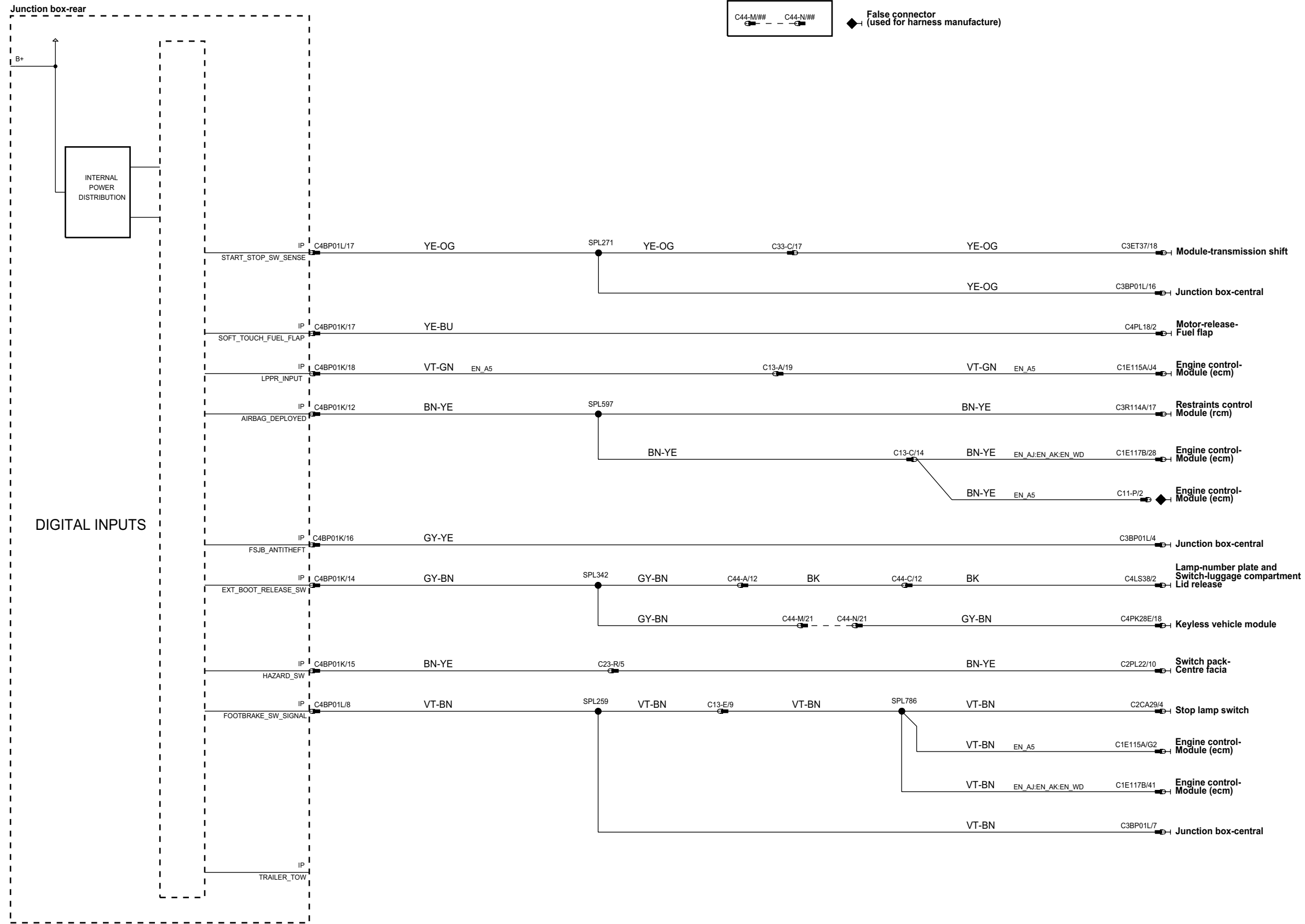
ph883-70010-p-af



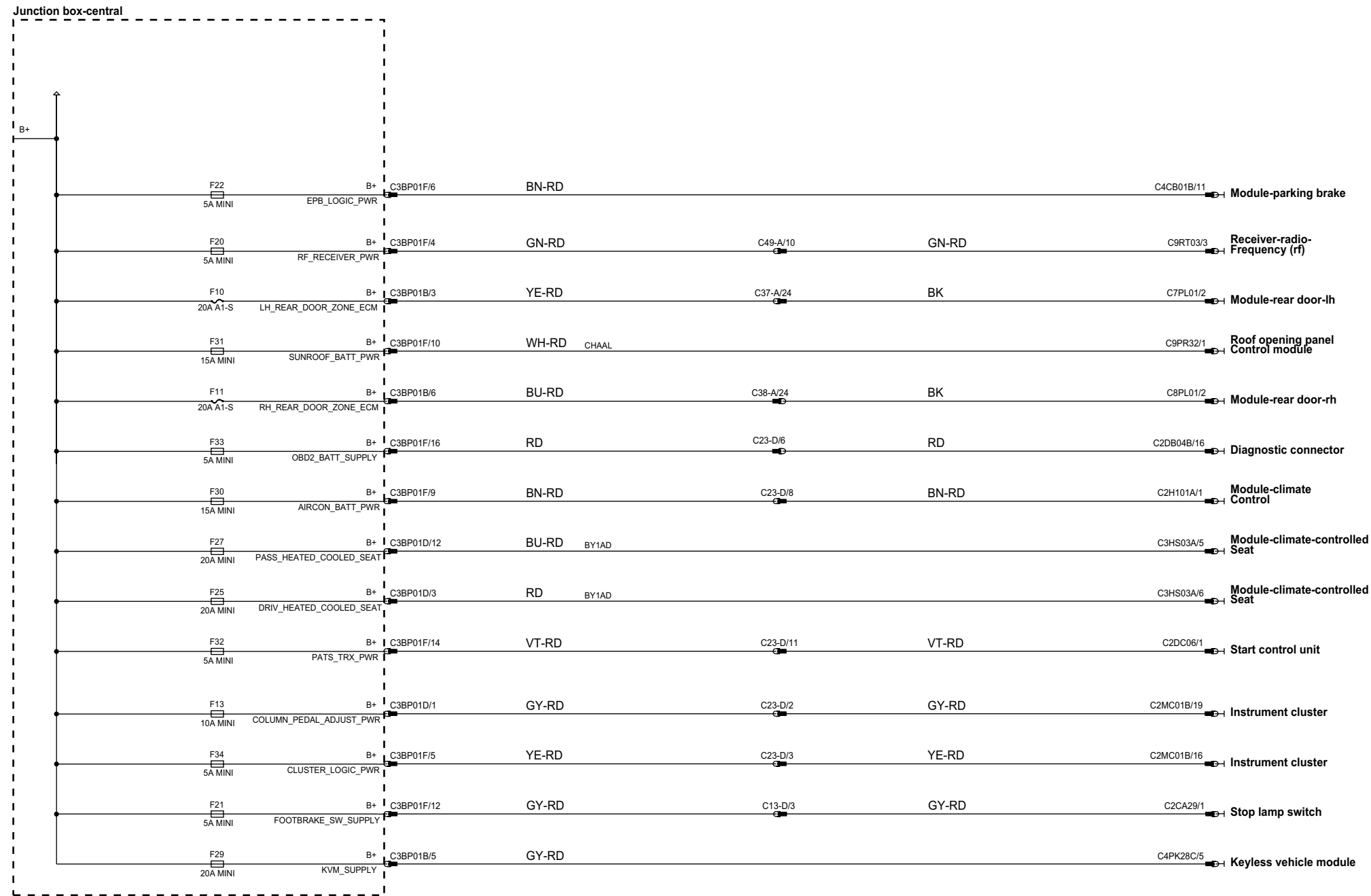
ph8r83-70010-r-af



ph883-70010-s-af

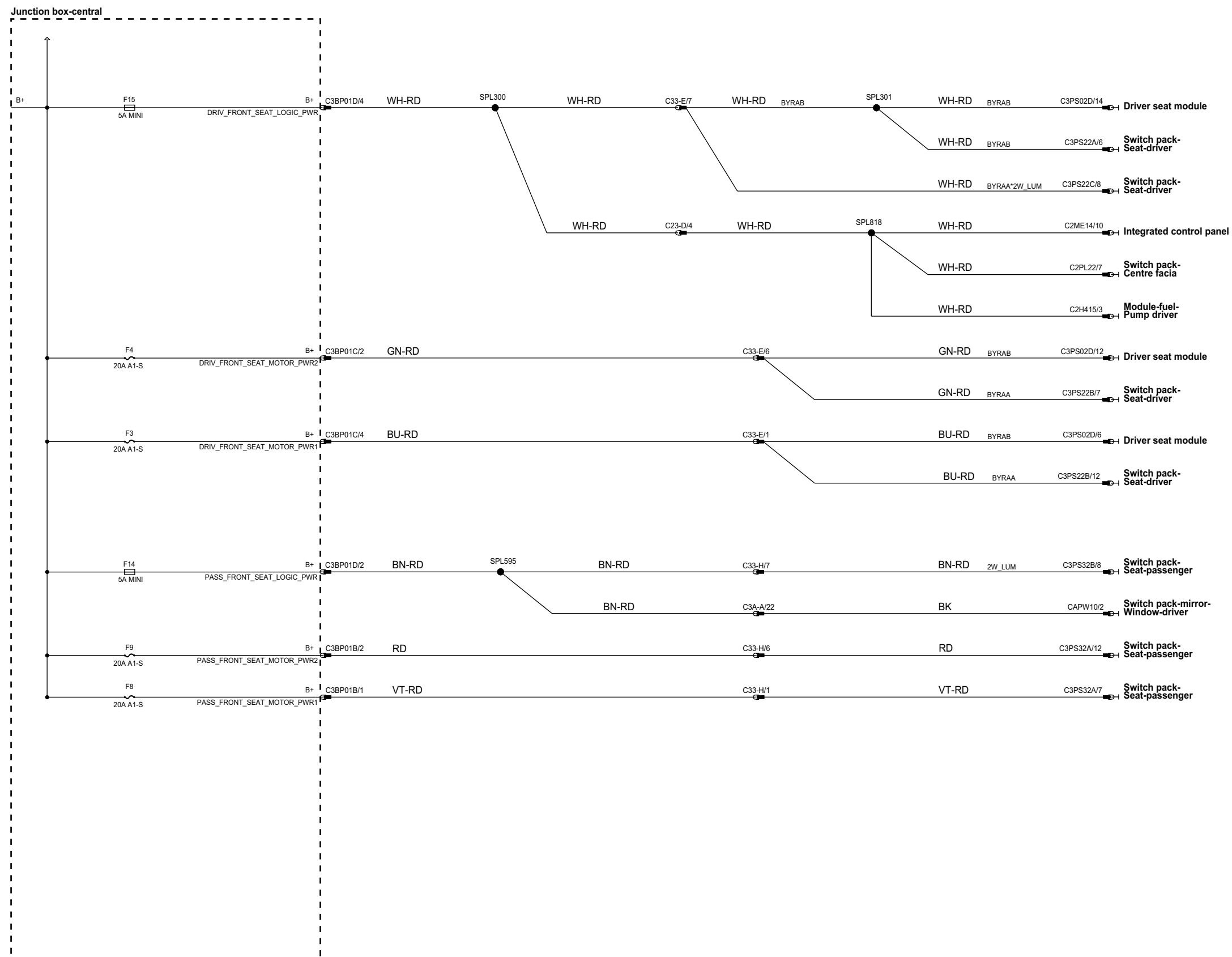


ph8/83-70010-af

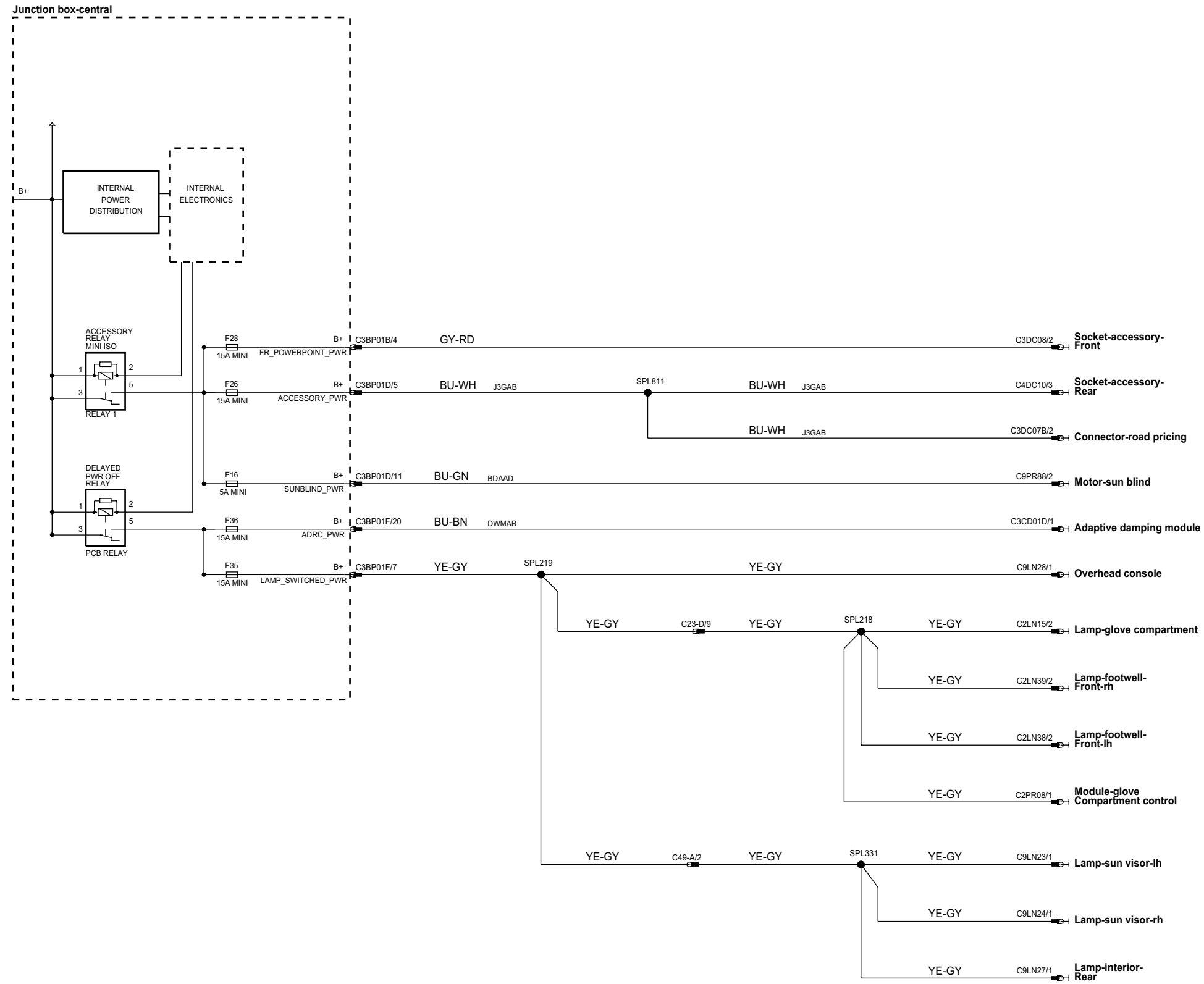


x

ph883-70010-u-af

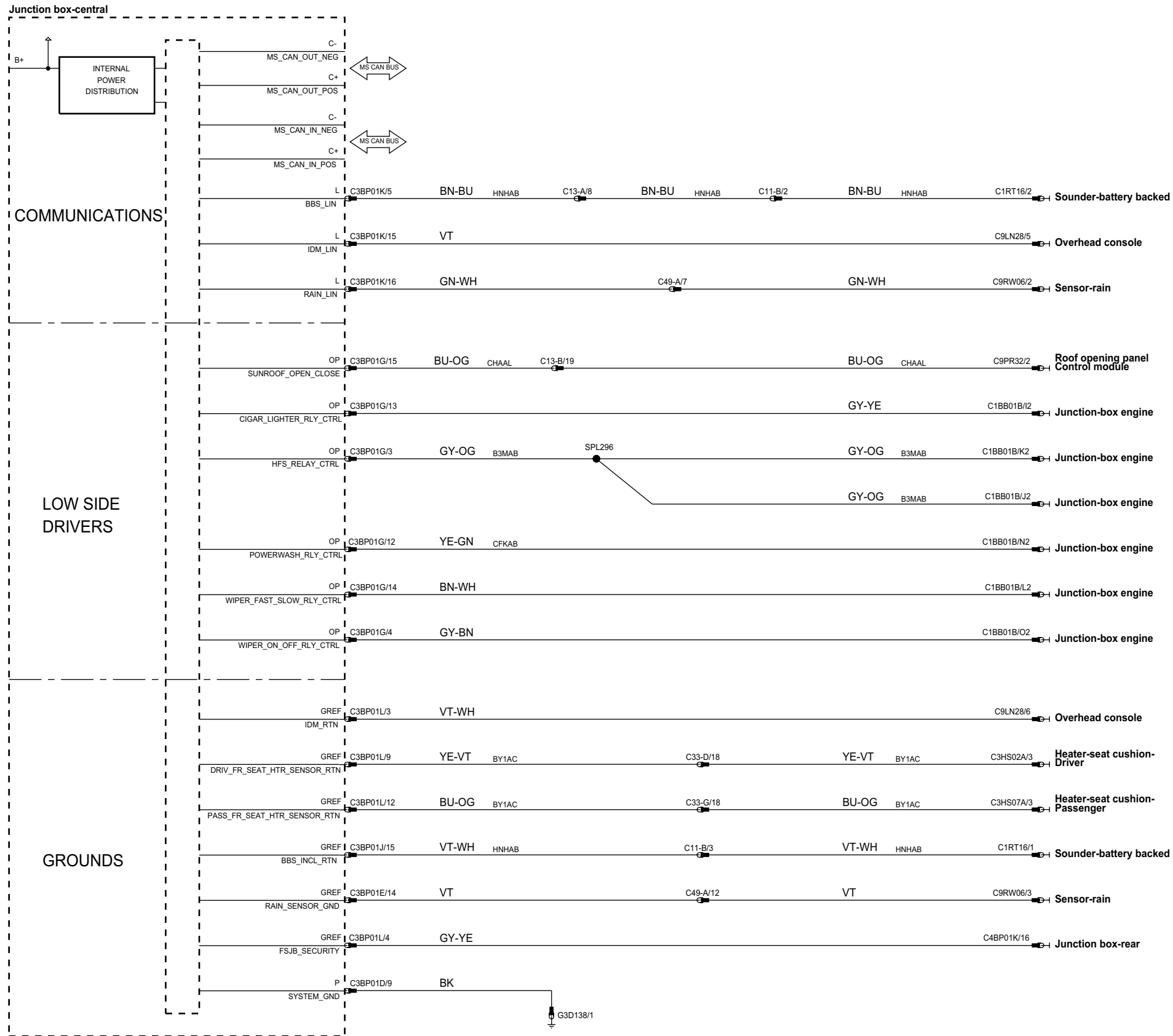


ph8r8-70010-v-af



x

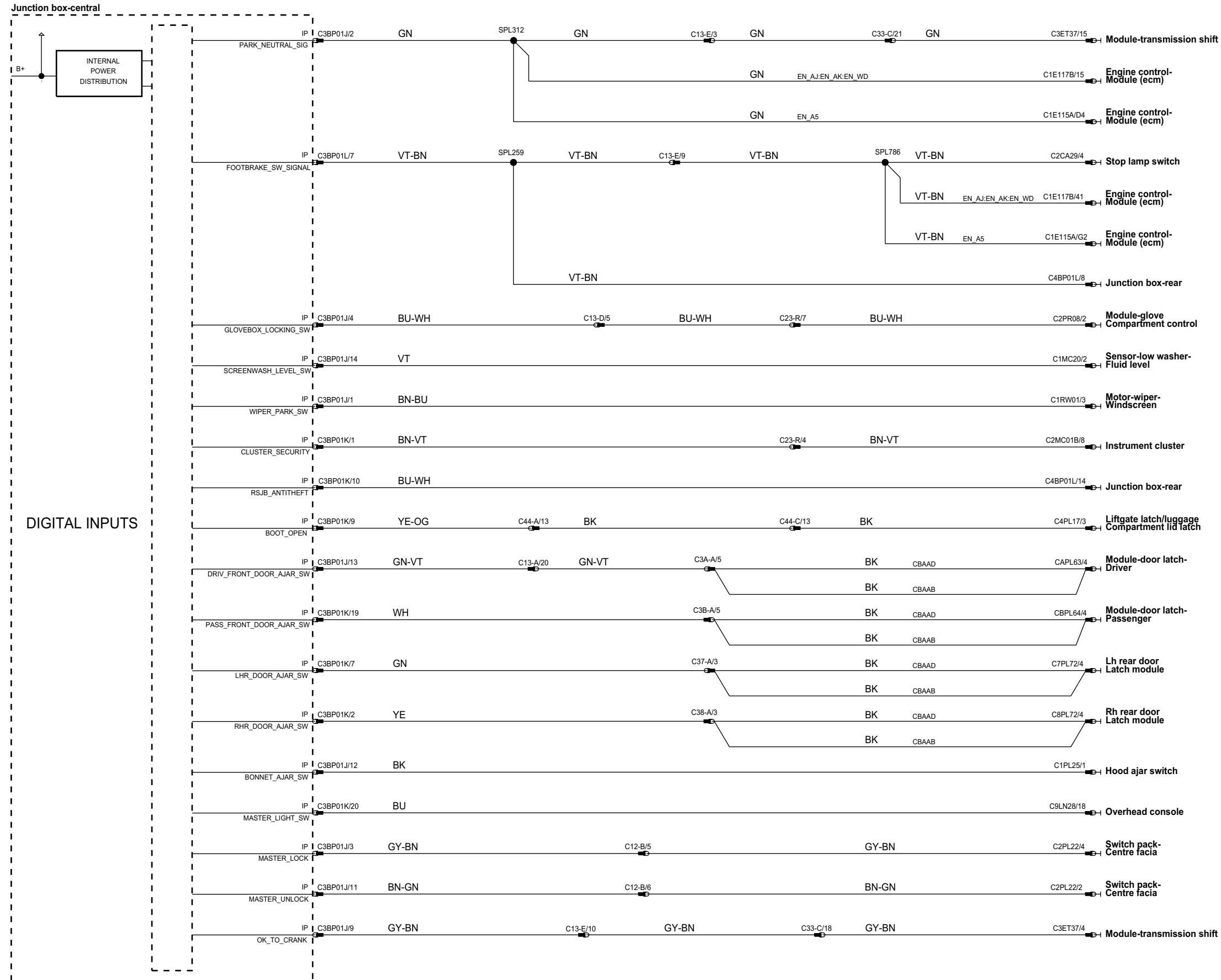
ph883-70010-w-af



x

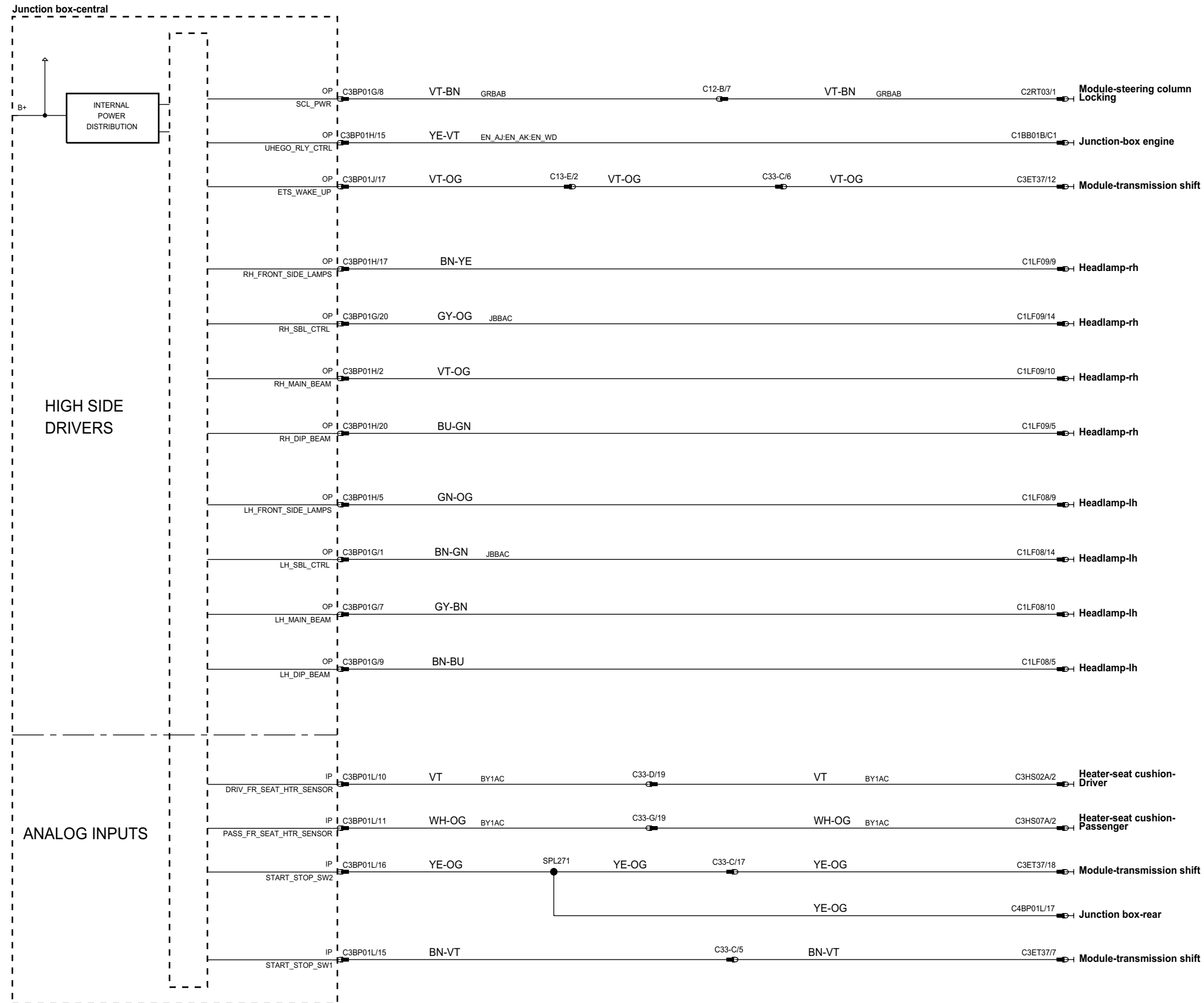


ph8/83-70010-x-af

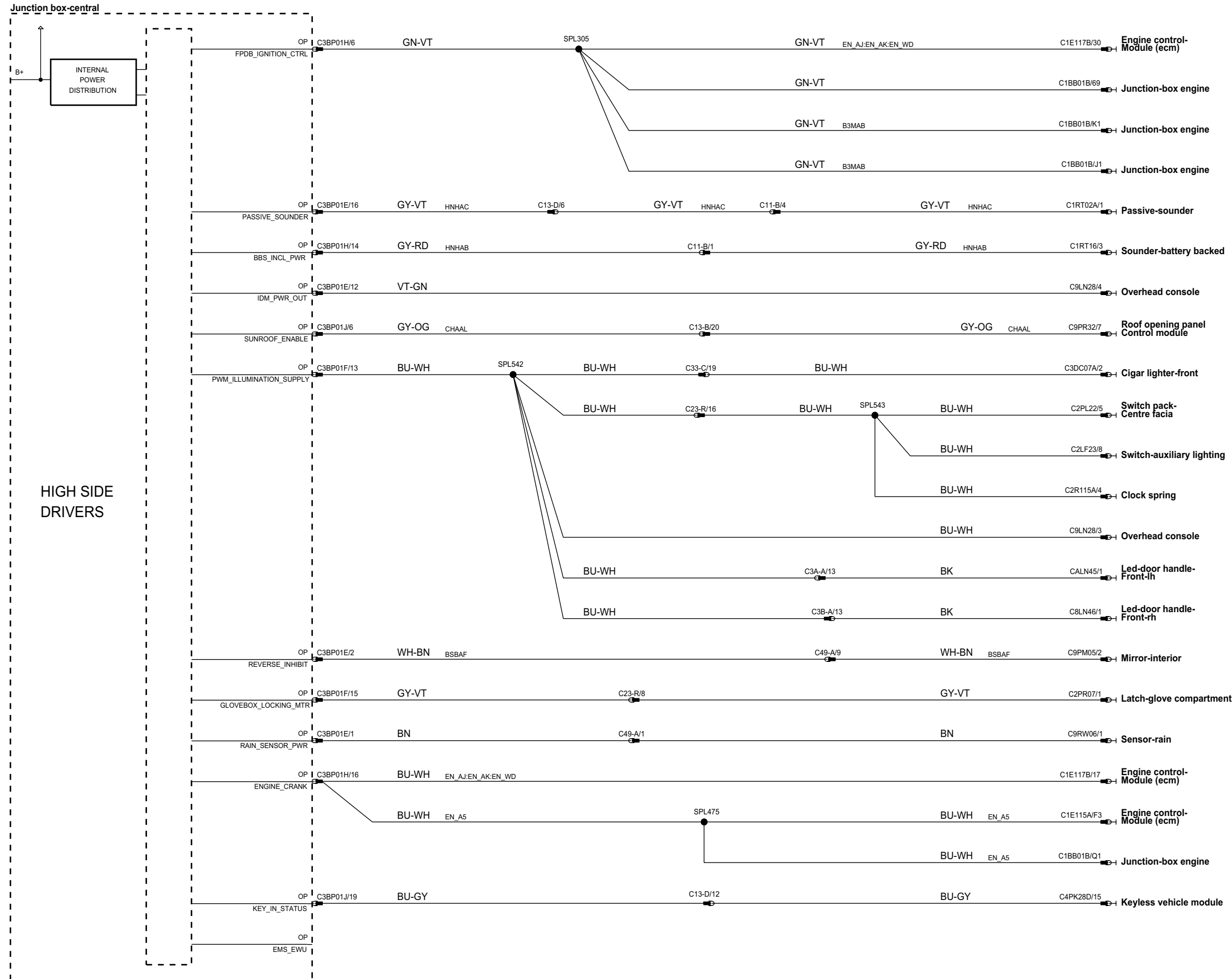




ph8/83-70010-za-af



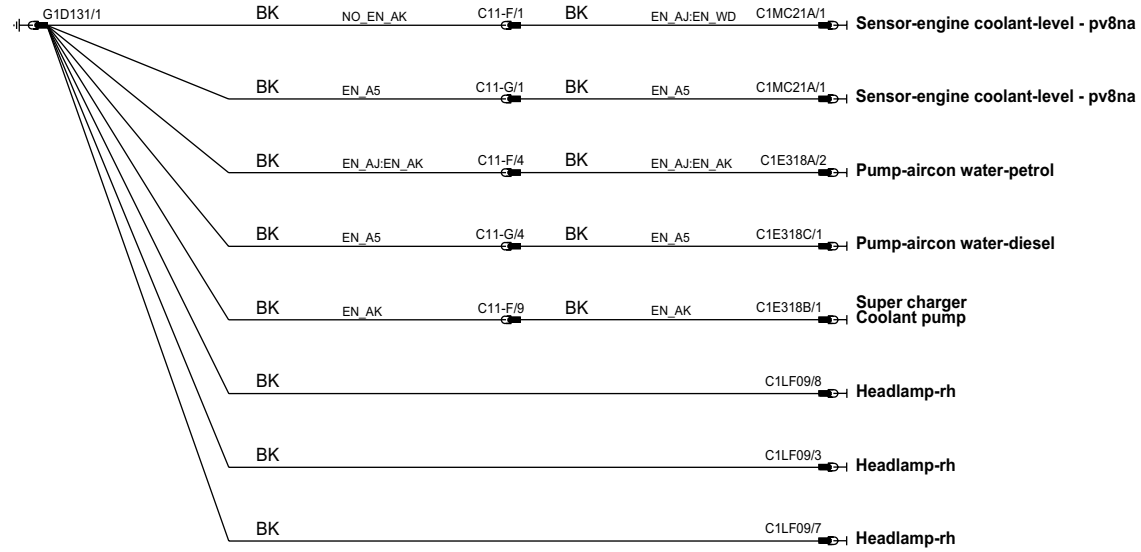
ph883-70010-z-af



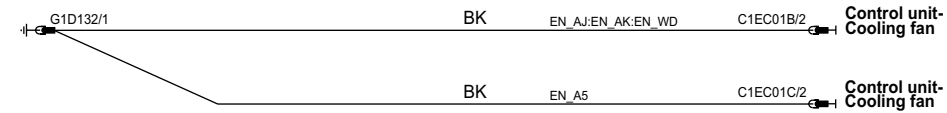
x

ph8/83-70012-a-af

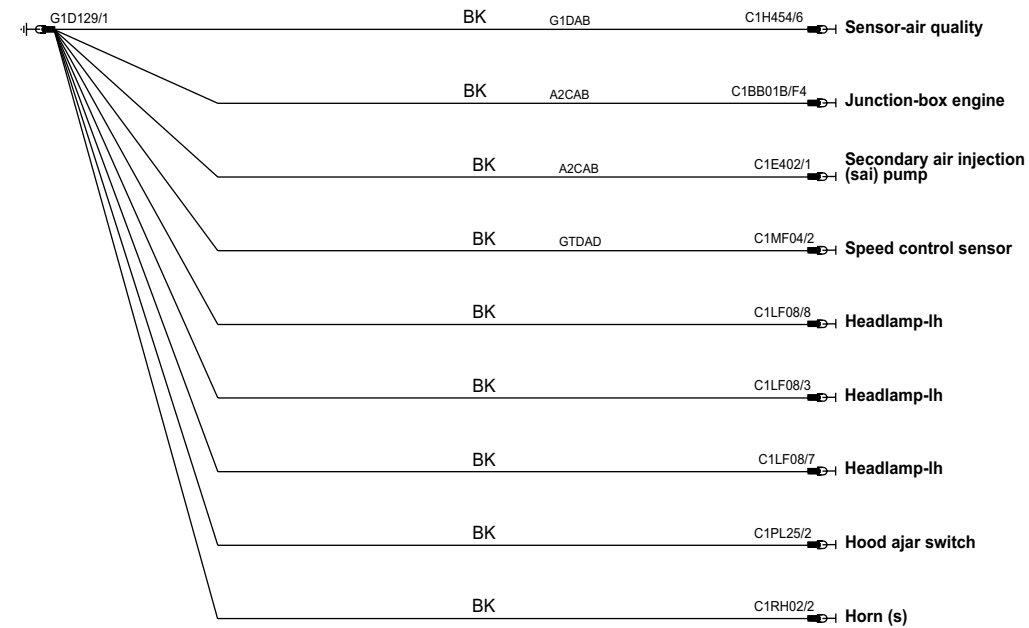
◆ Behind rh headlamp



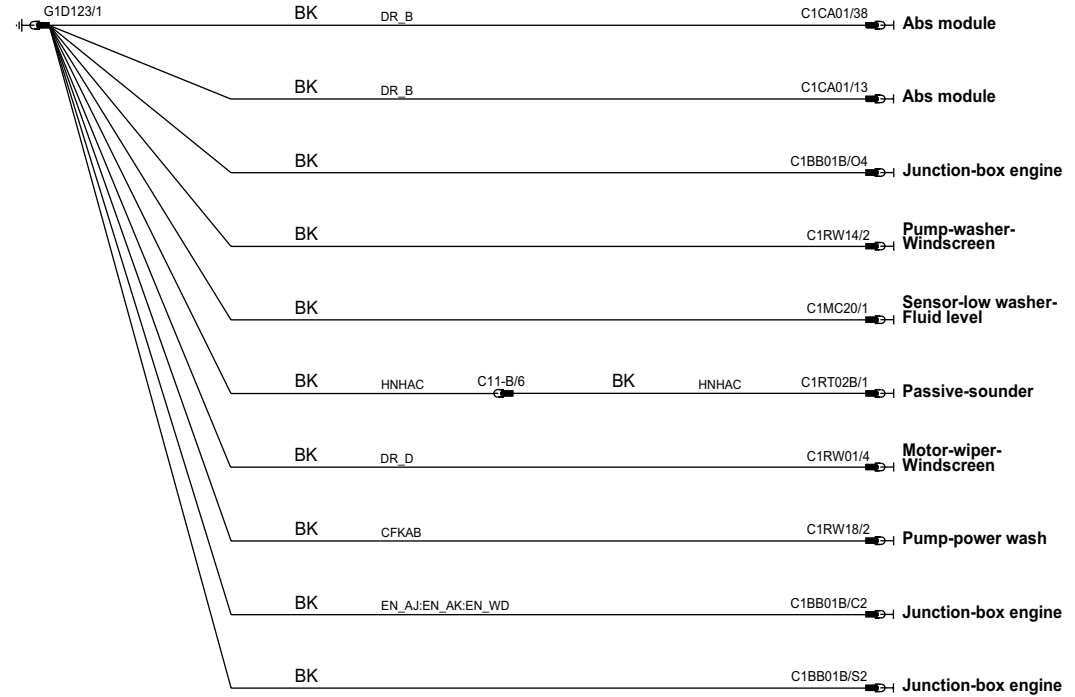
◆ Behind rh headlamp



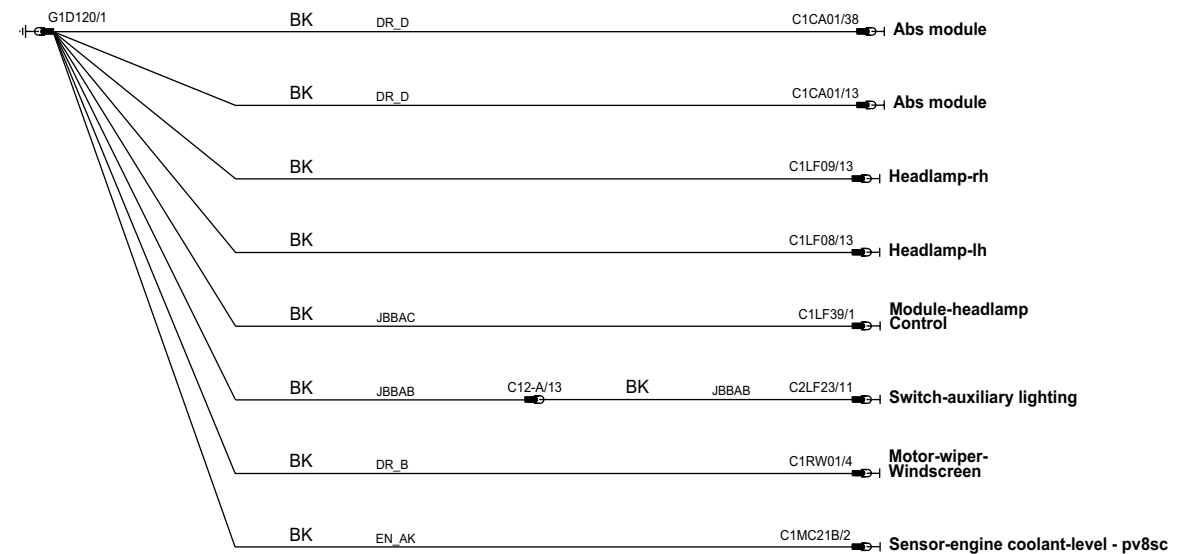
◆ Behind lh headlamp



◆ Under bonnet, Rh inner fender

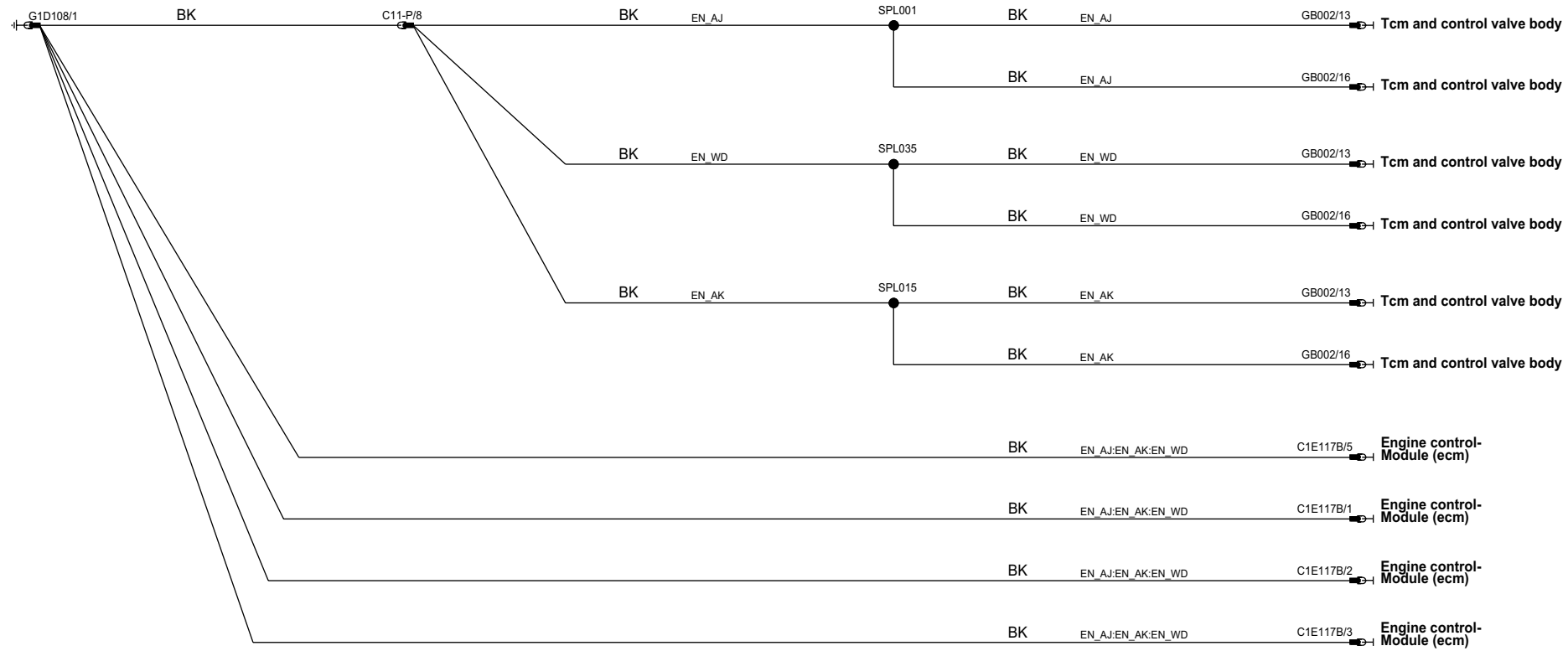


◆ Under bonnet, Lh inner fender

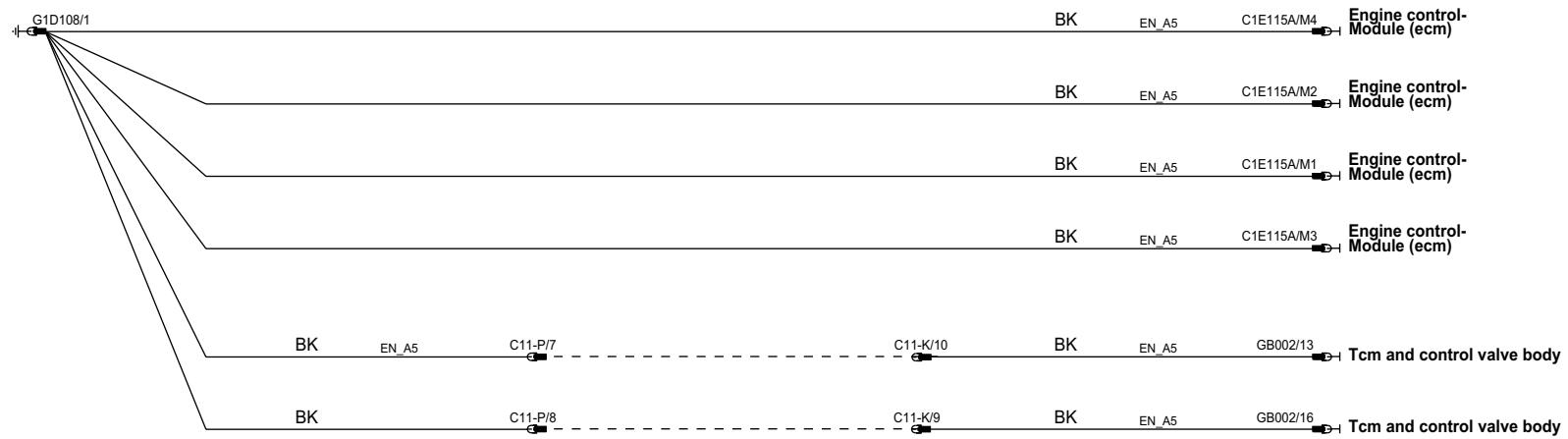


ph883-70012-b-af

◆ Ground-ecm

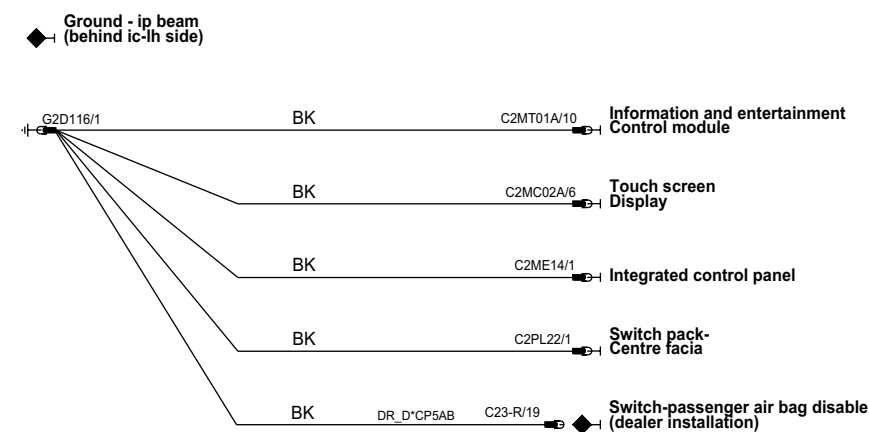
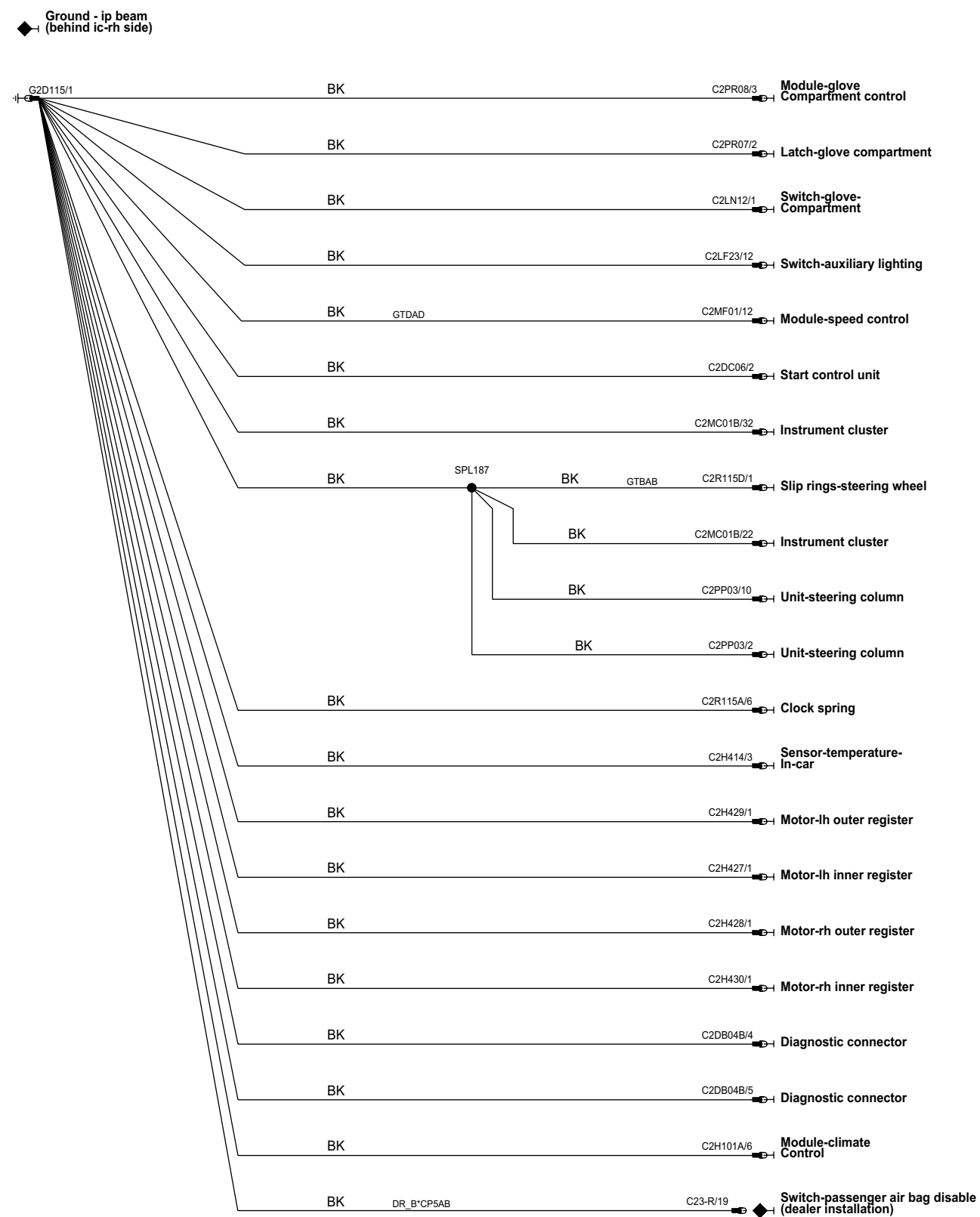


◆ Ground-ecm

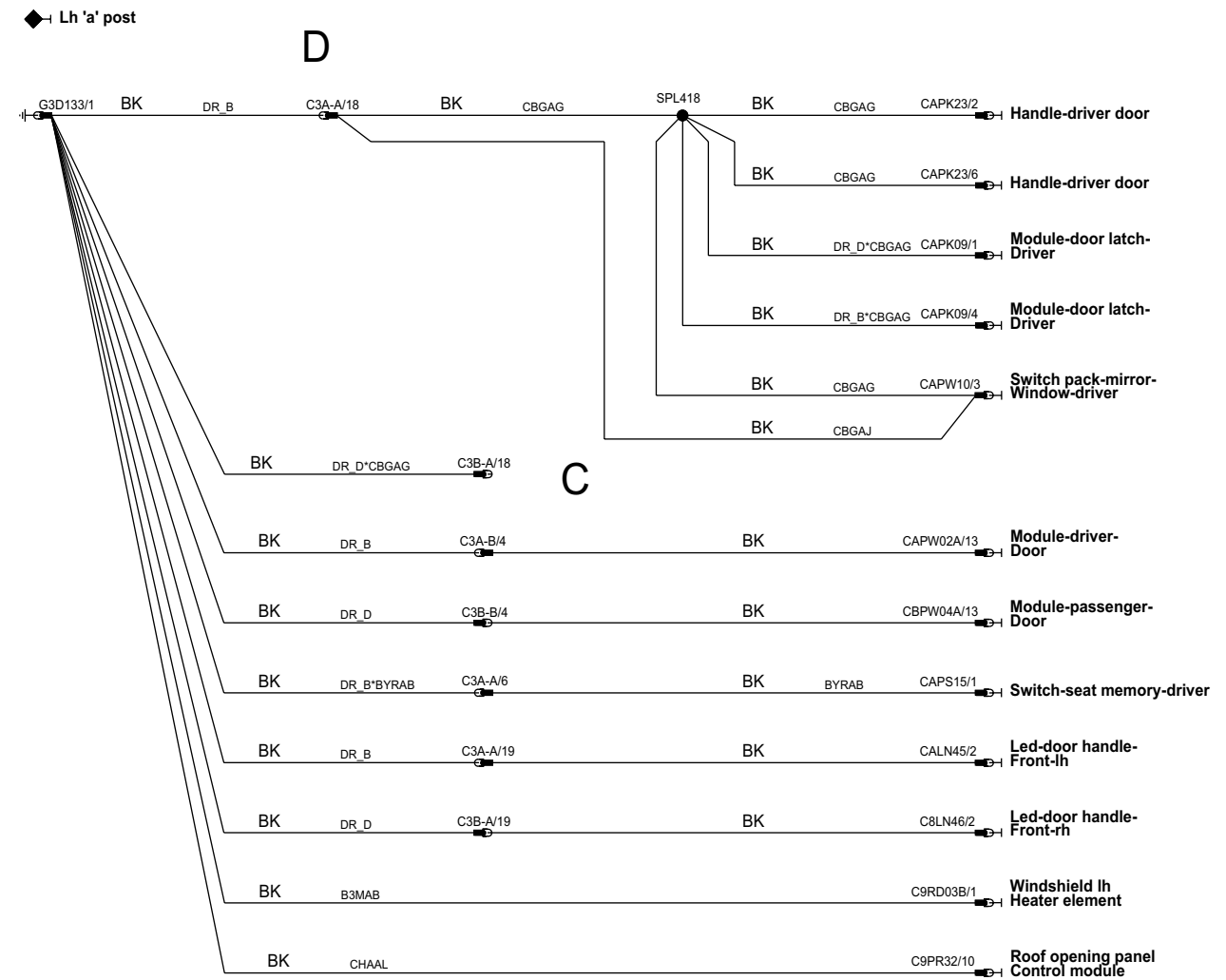
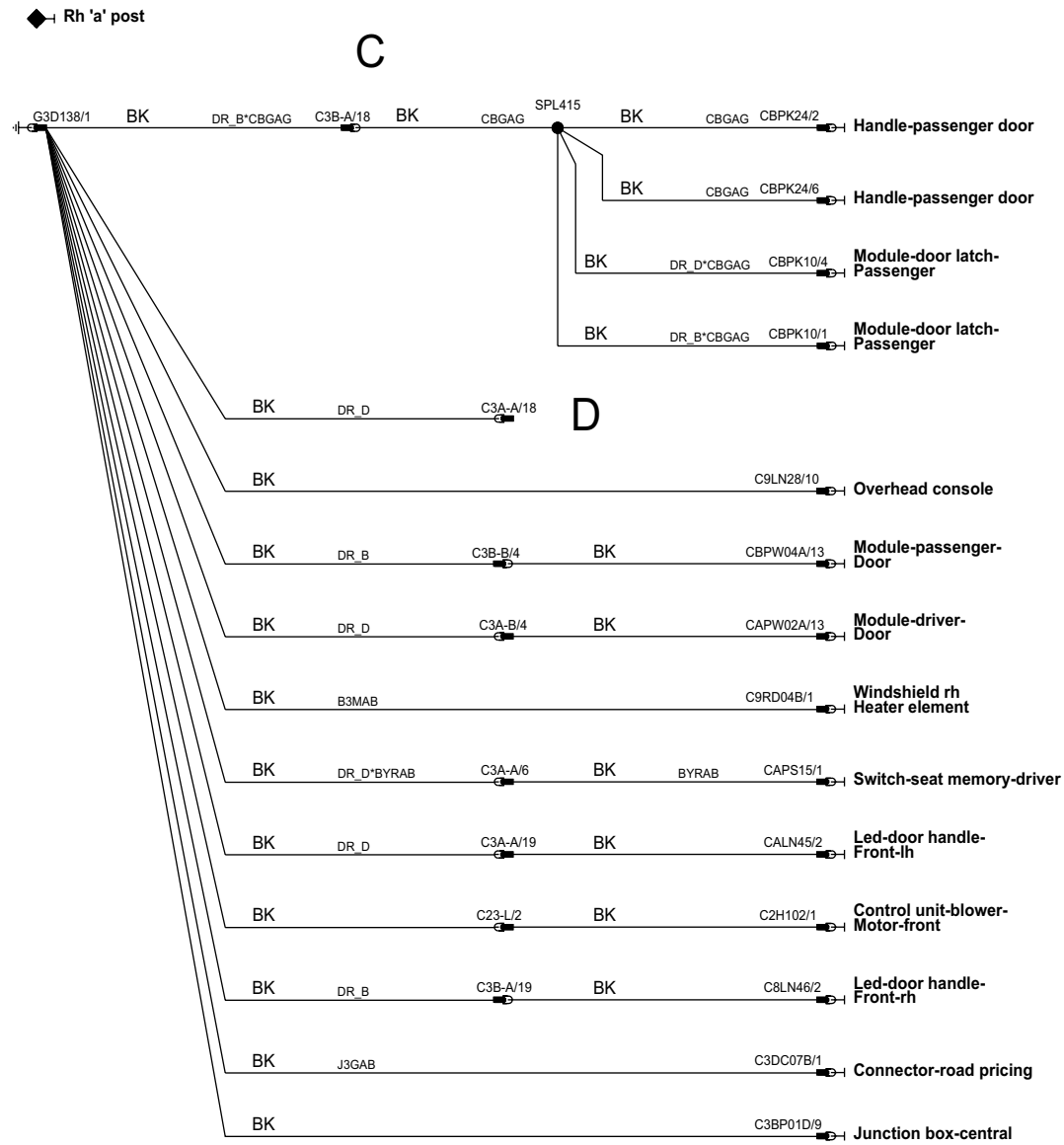


x

ph8/83-70012-c-af

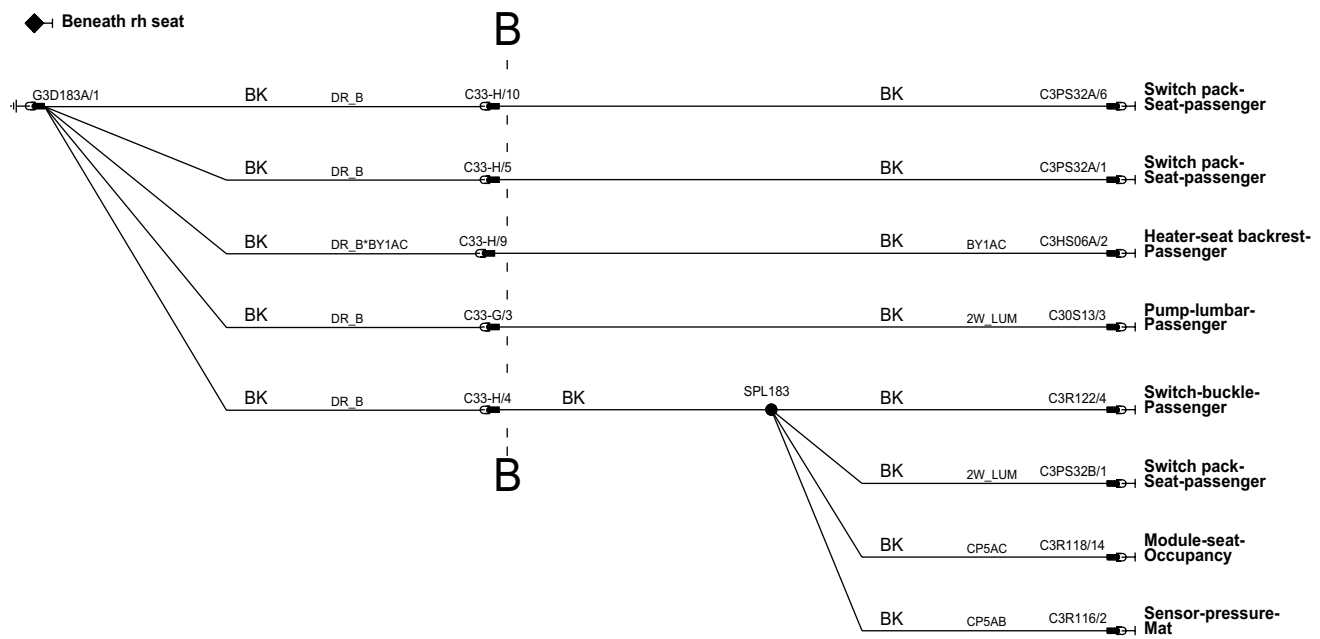
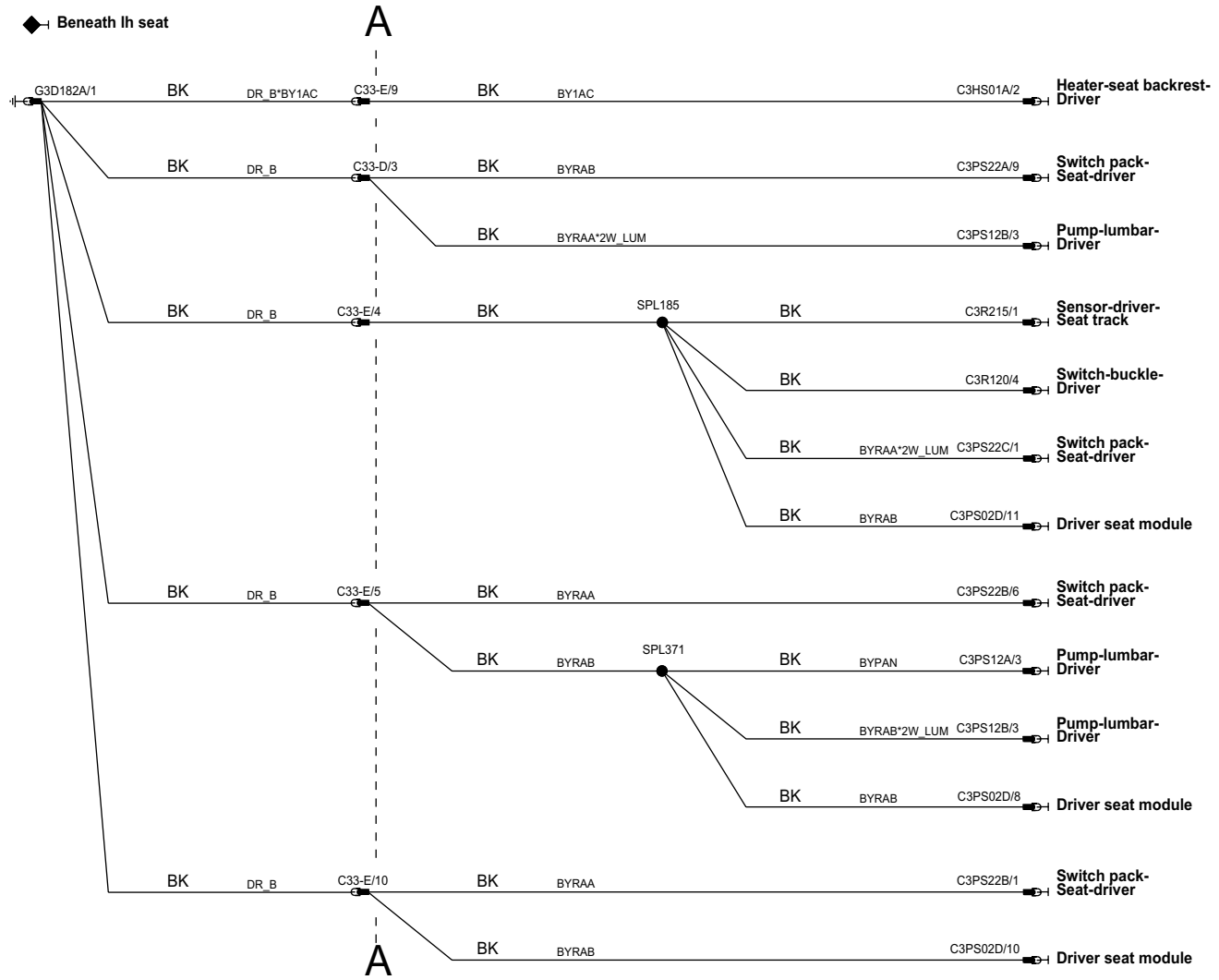
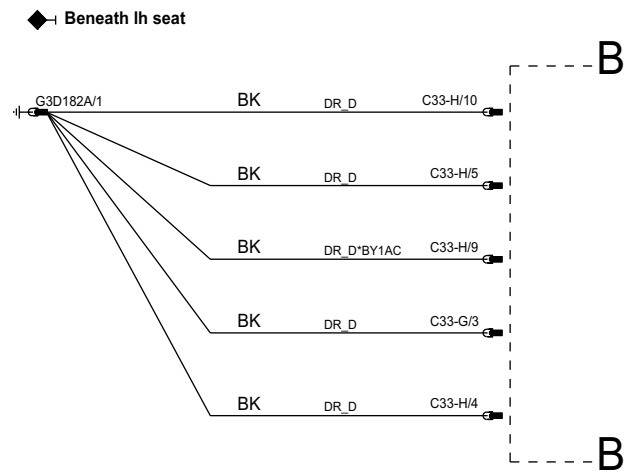
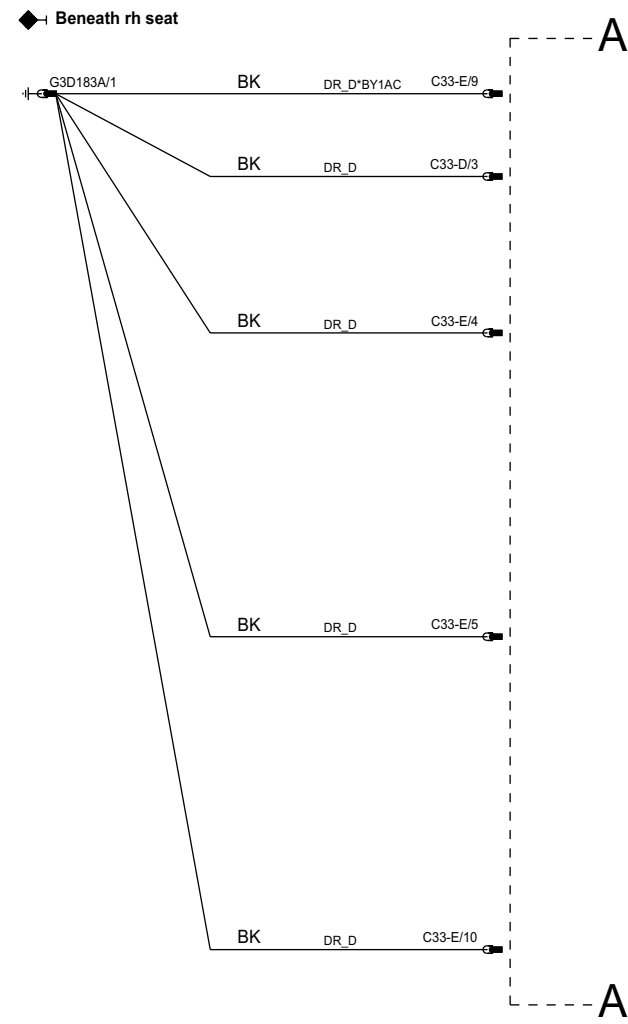


ph883-70012-d-af



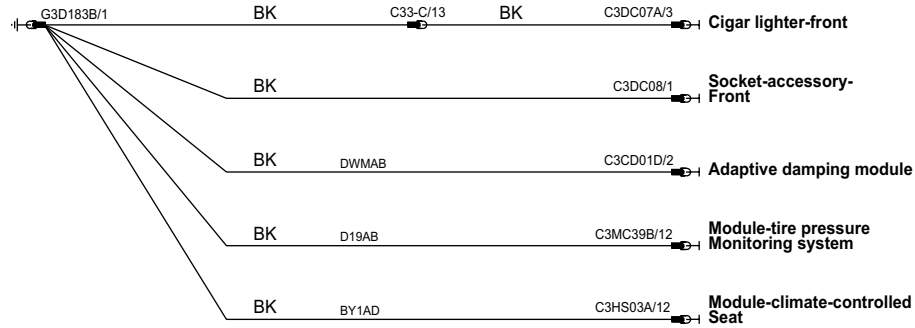


ph8/83-70012-e-af

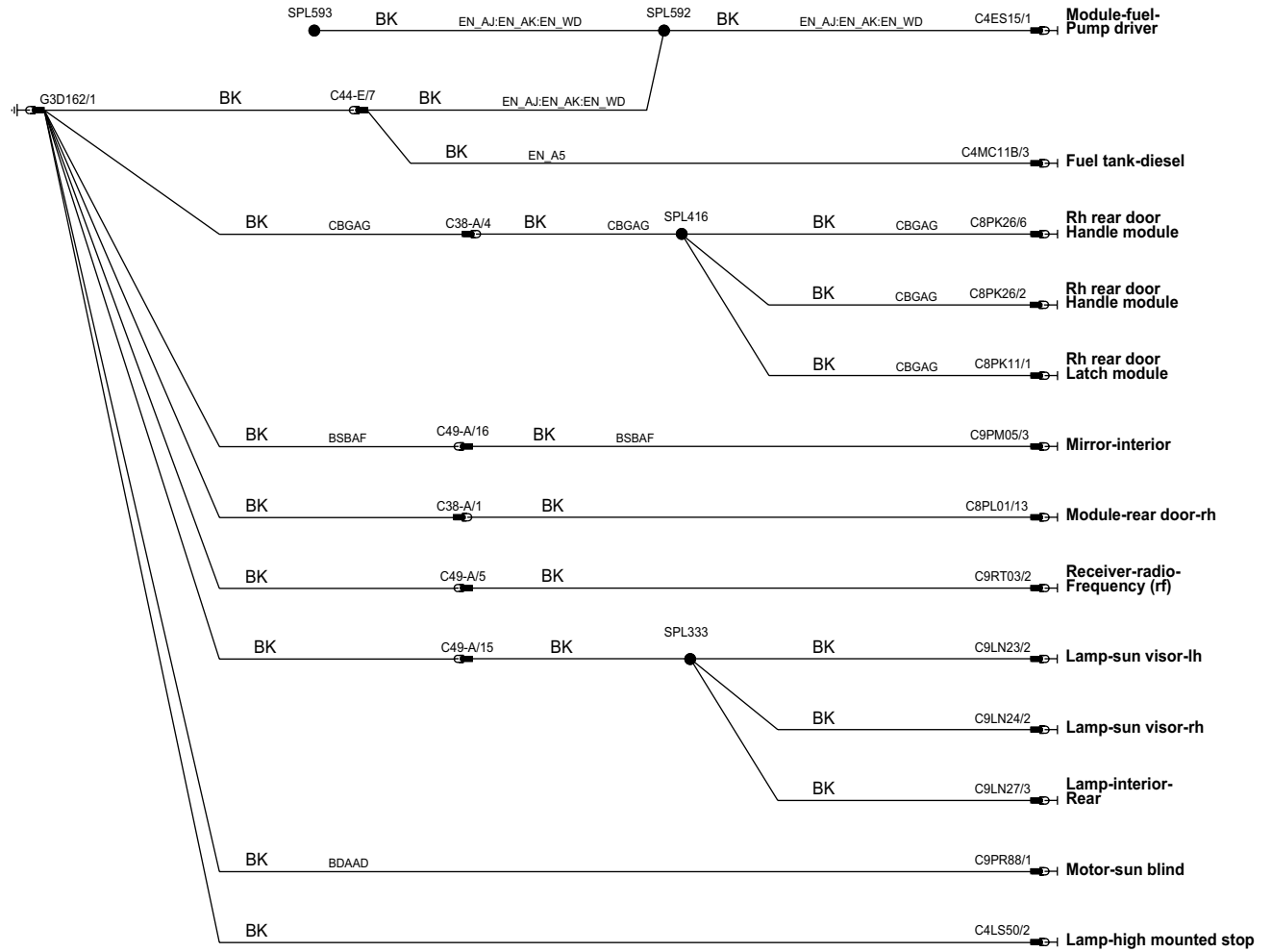


ph883-70012-f-af

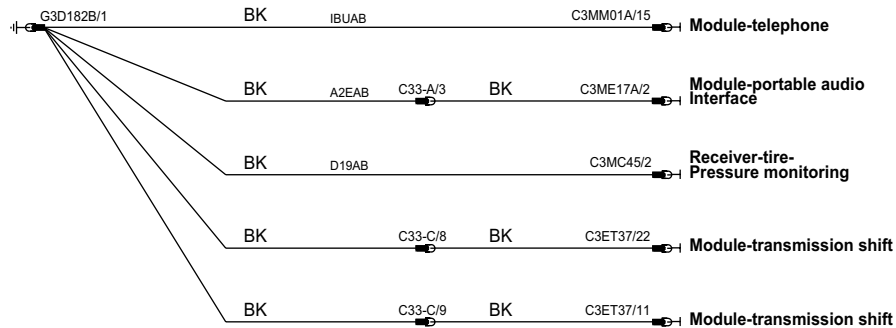
◆ Beneath rh seat



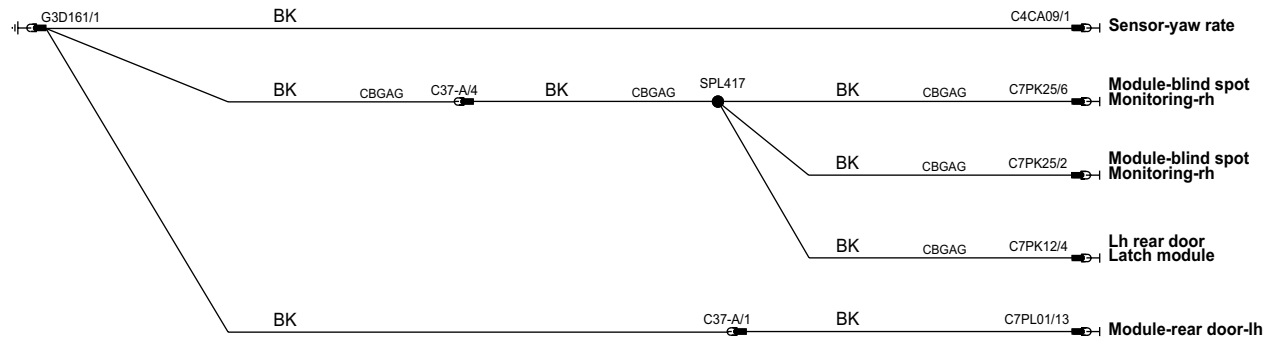
◆ Seatback-rear-rh



◆ Beneath lh seat

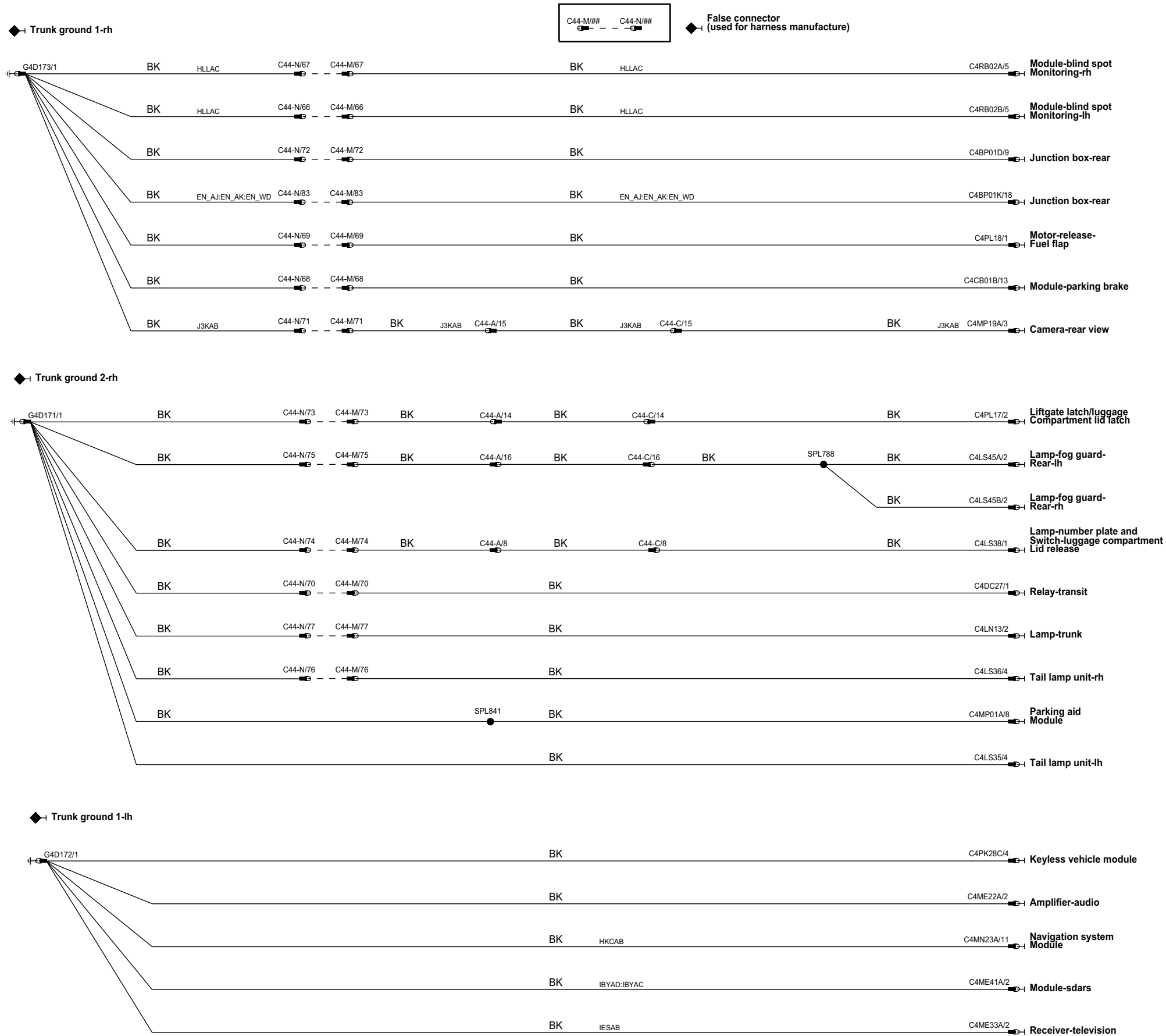


◆ Seatback-rear-lh



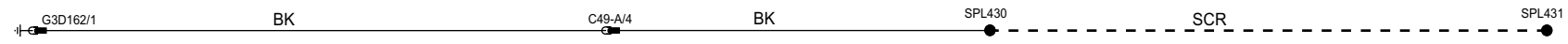
x

ph8/83-70012-g-af

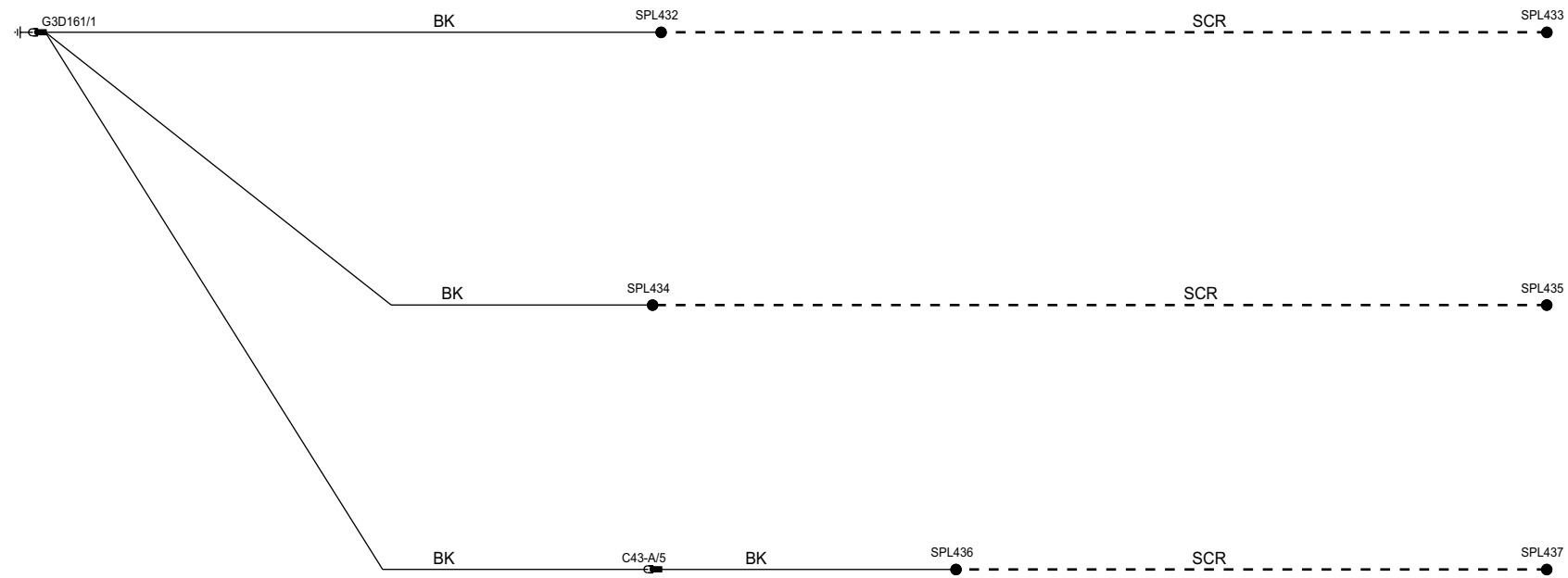


ph8r63-70012-h-af

◆- Seatback-rear-rh



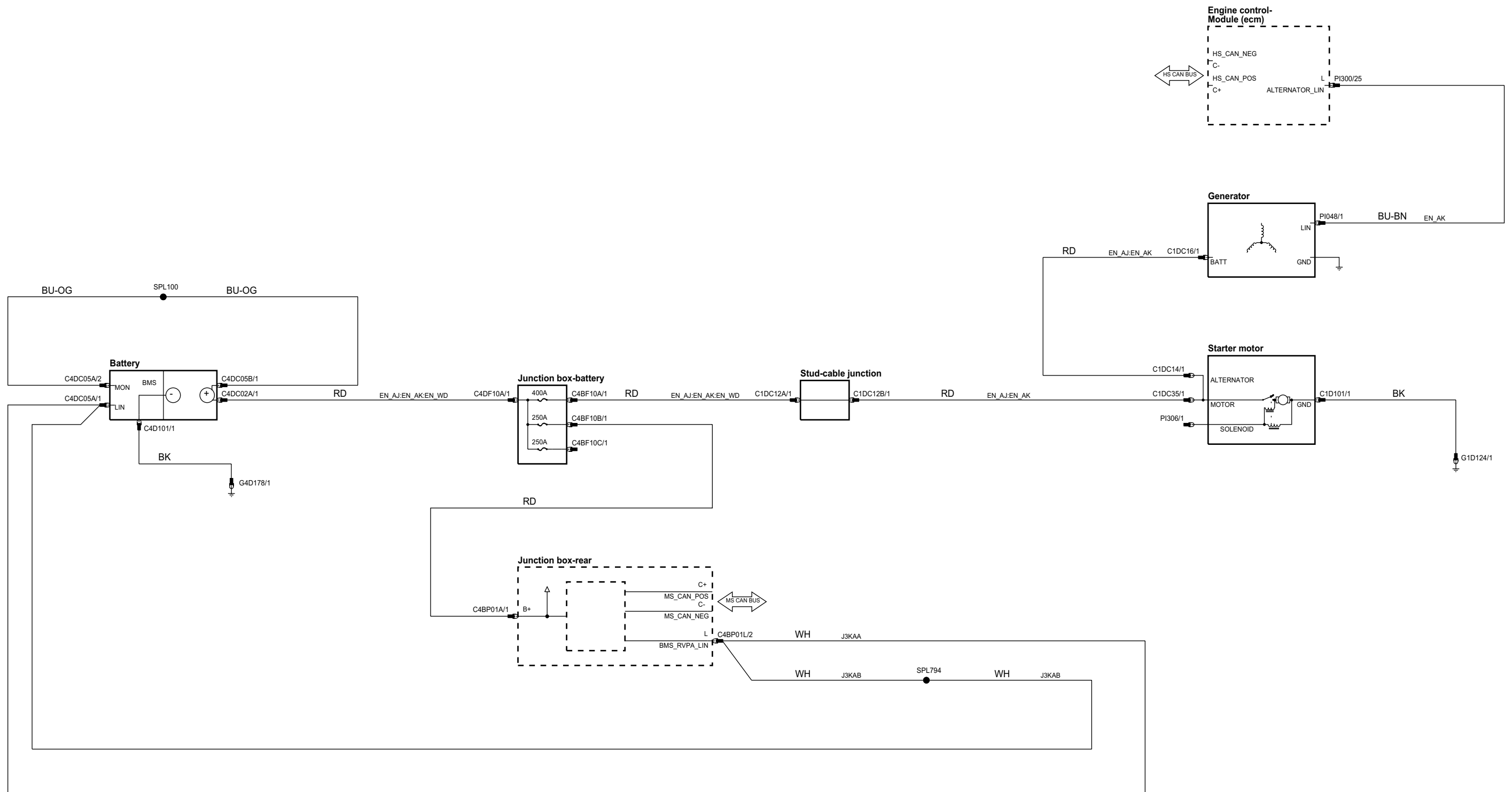
◆- Seatback-rear-lh



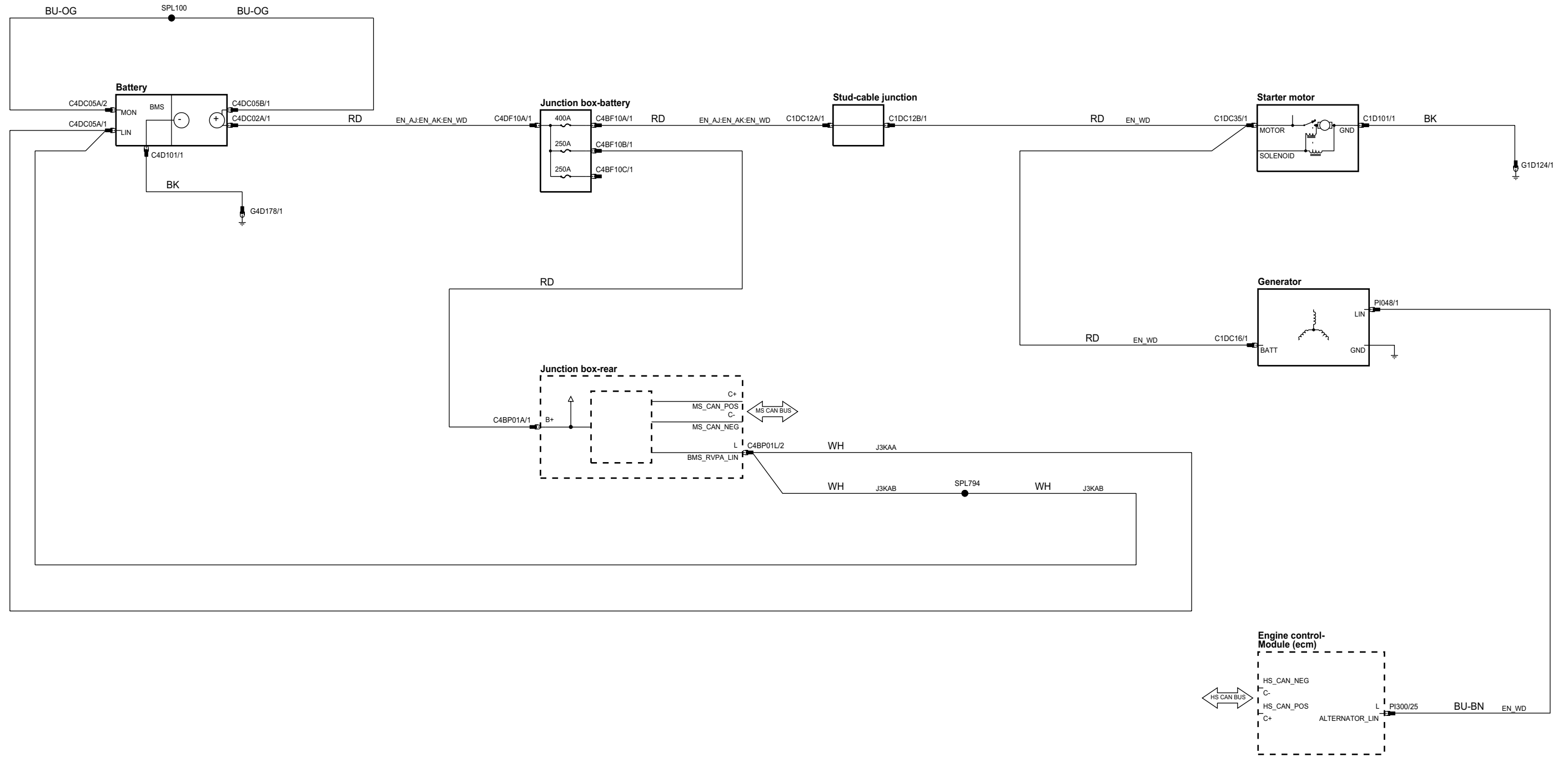
x



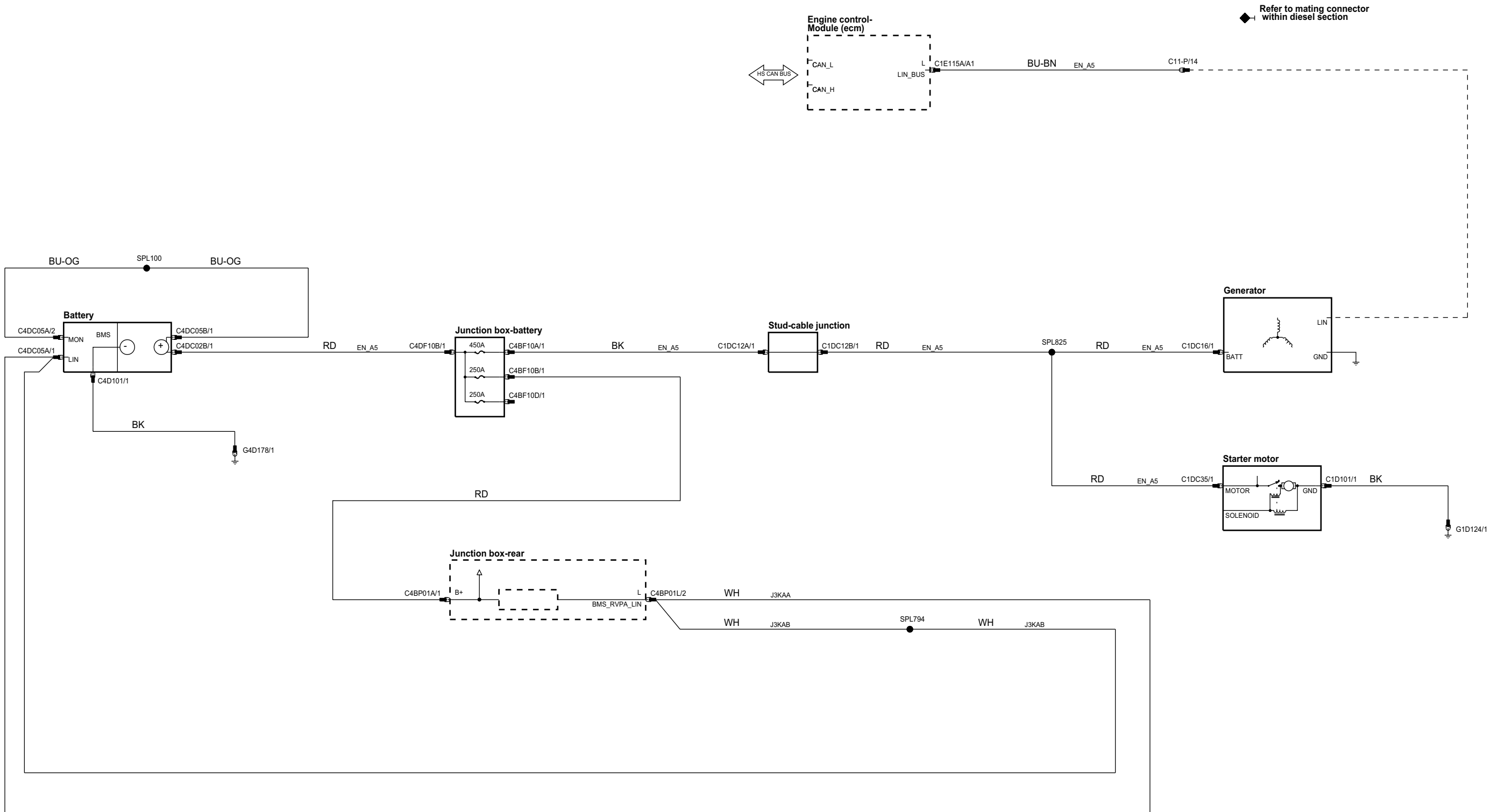
ph883-70022-b-af



ph8/83-70022-c-af

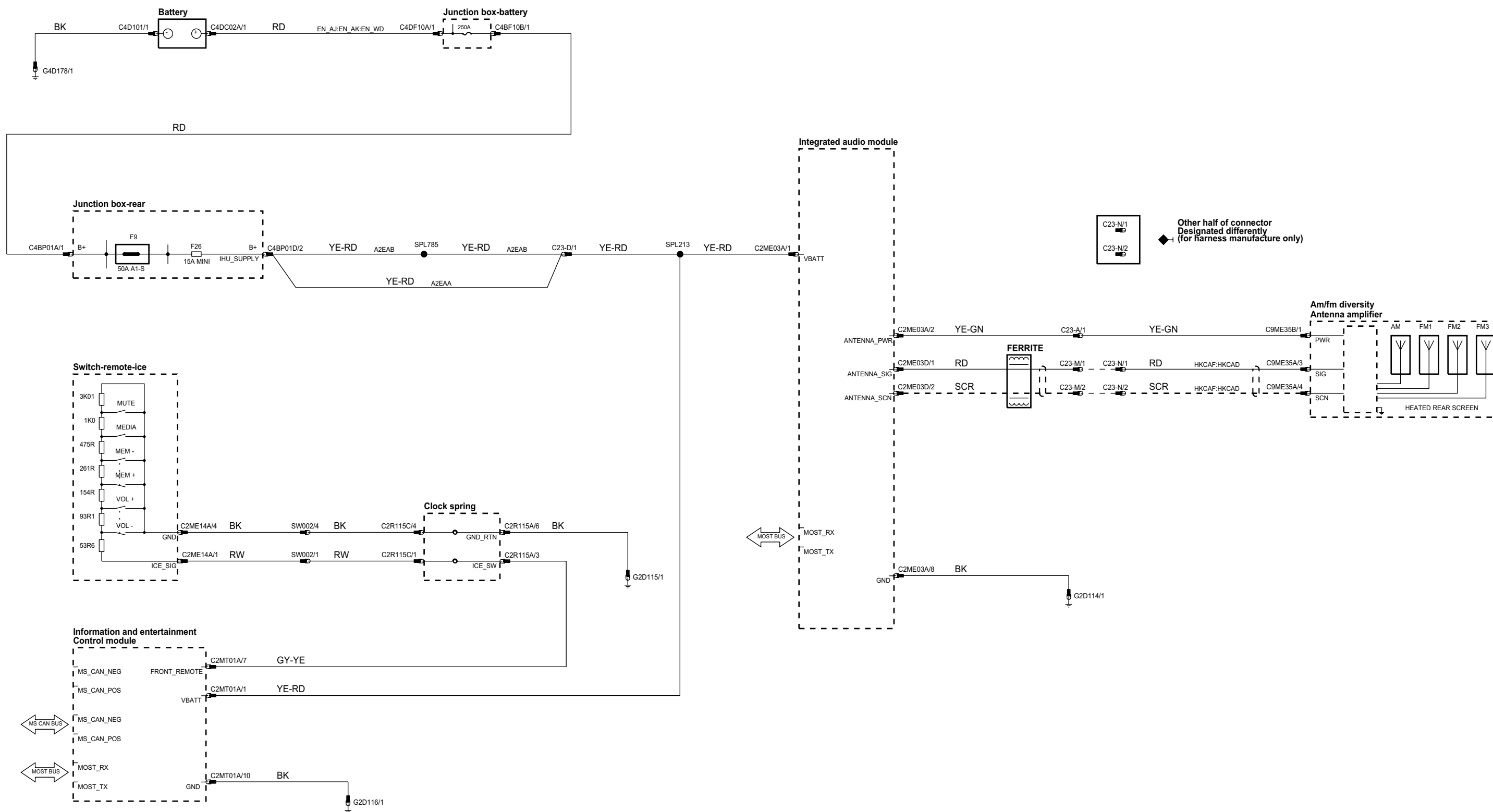


ph883-70022-d-af

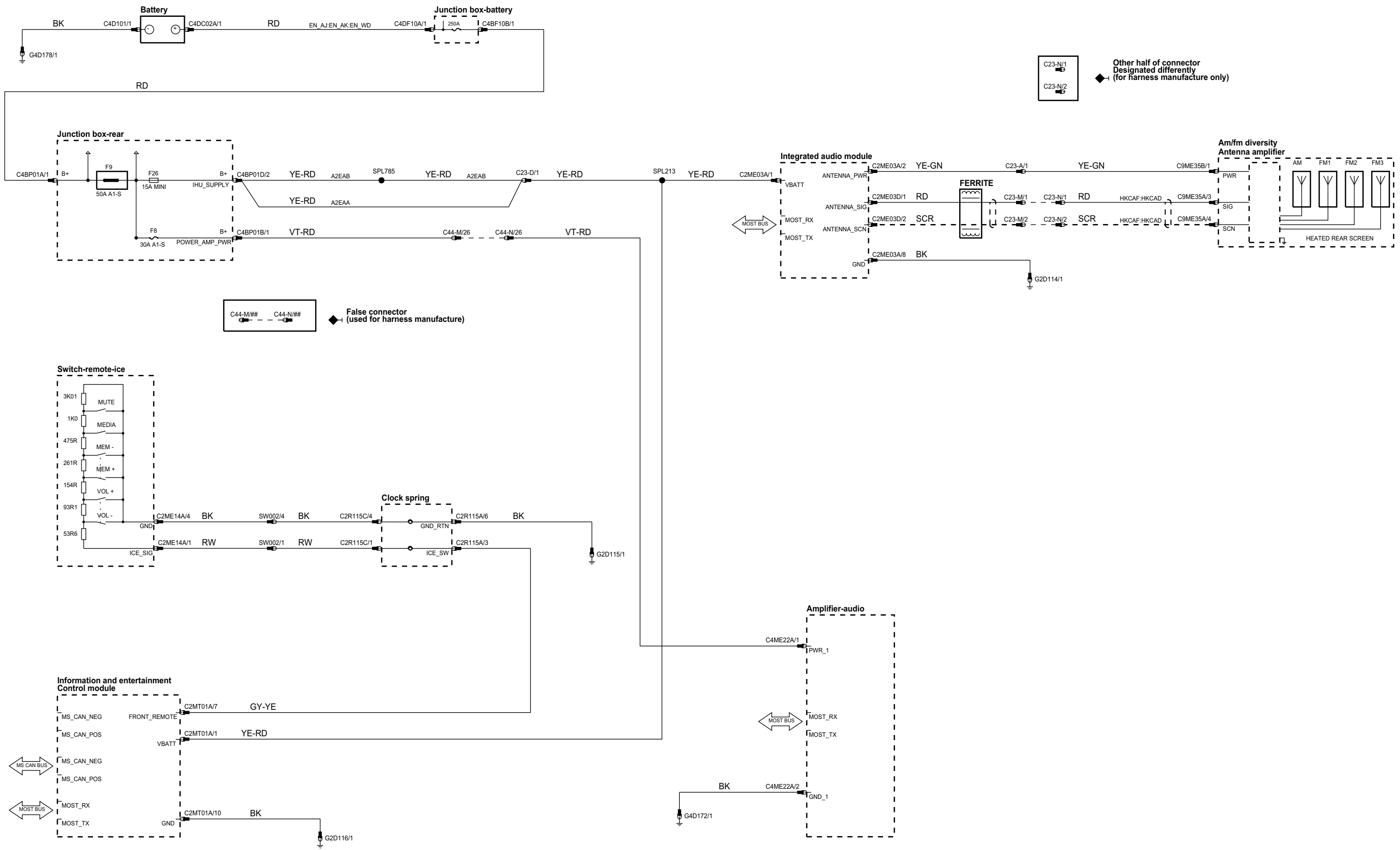




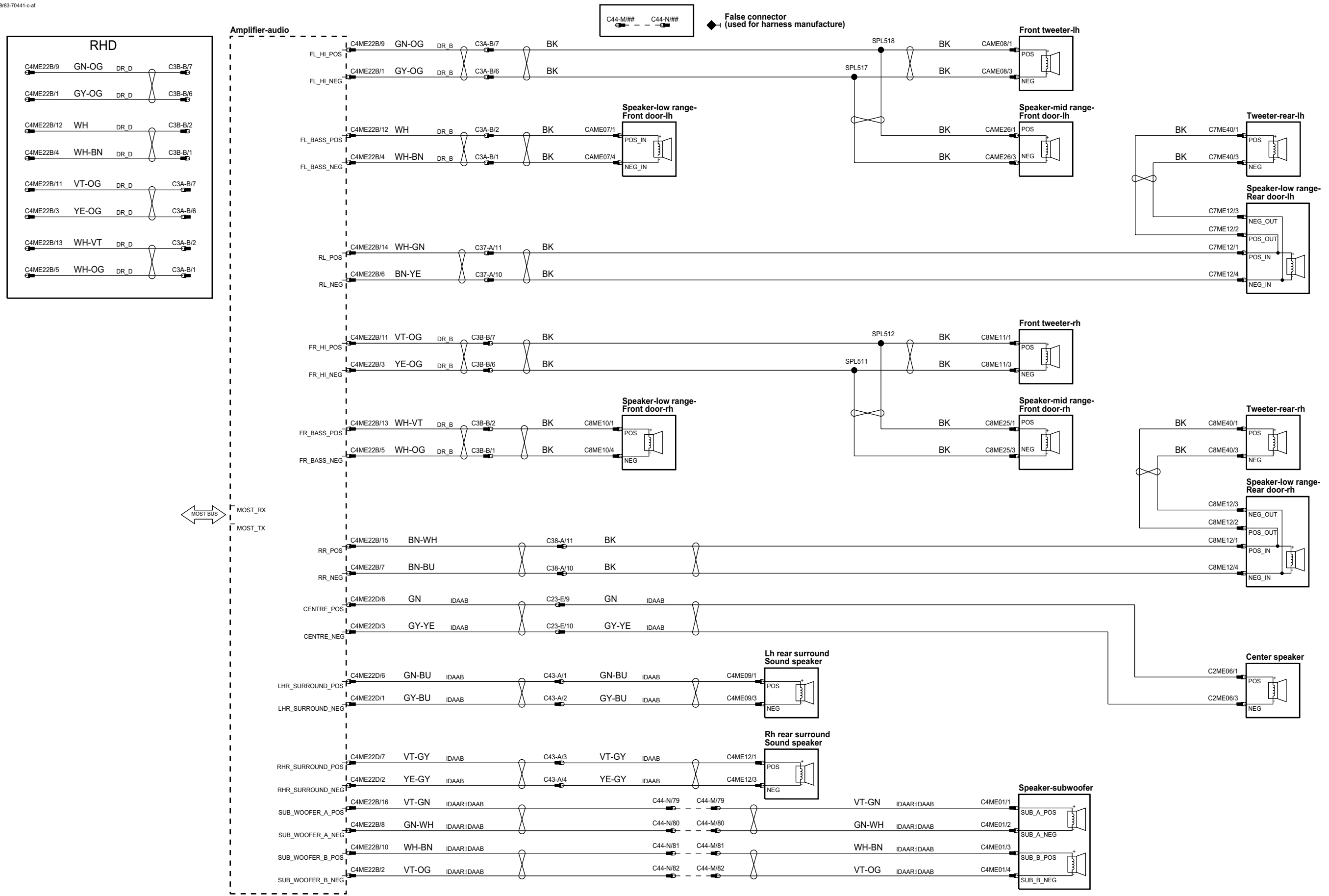
ph8r83-70441-a-af



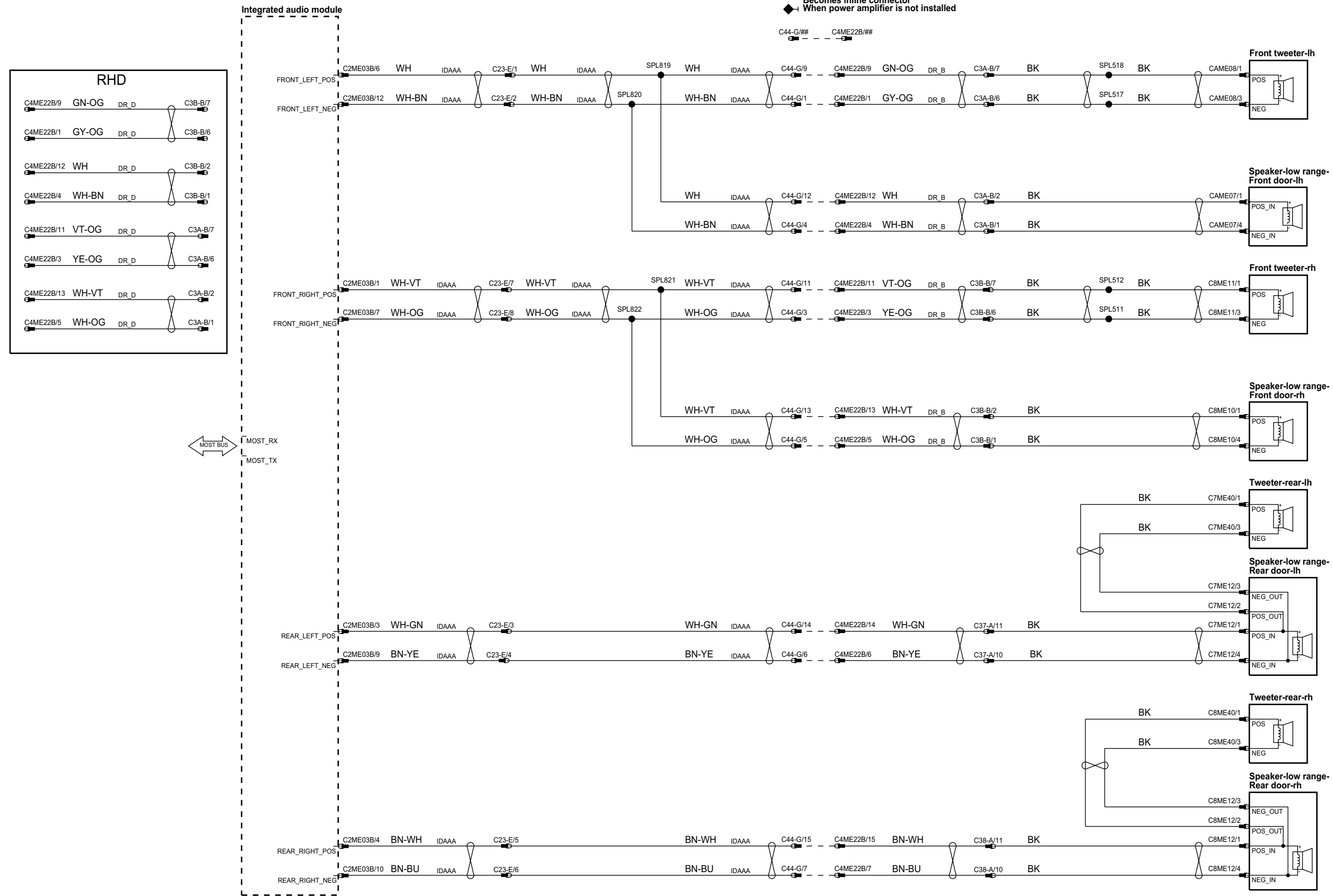
ph10r83-70441-b-af



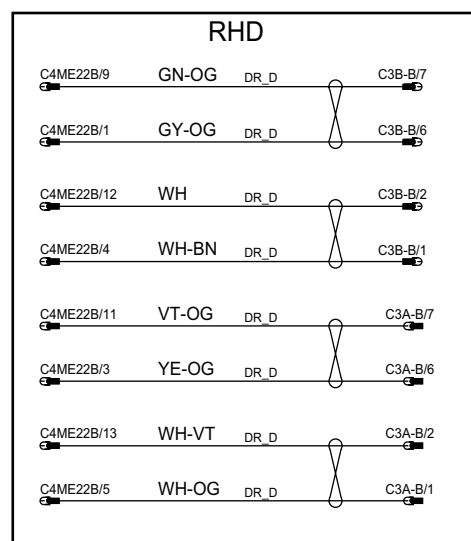
ph8r83-70441-c-af



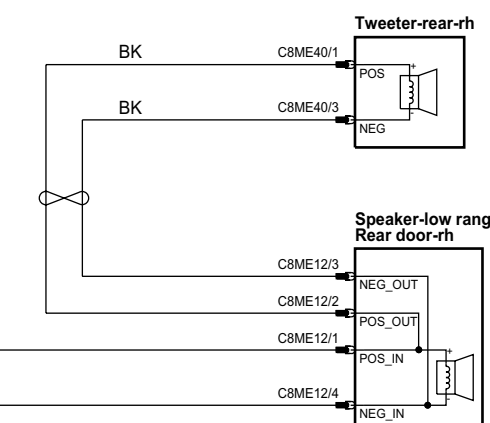
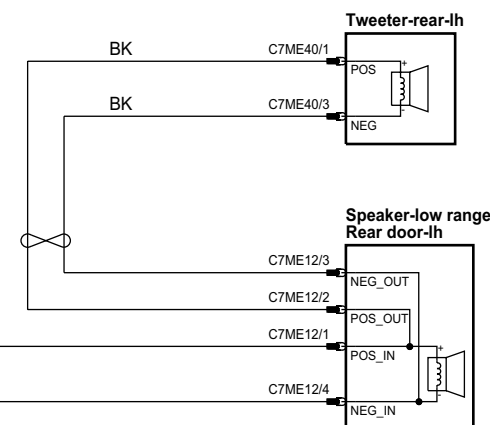
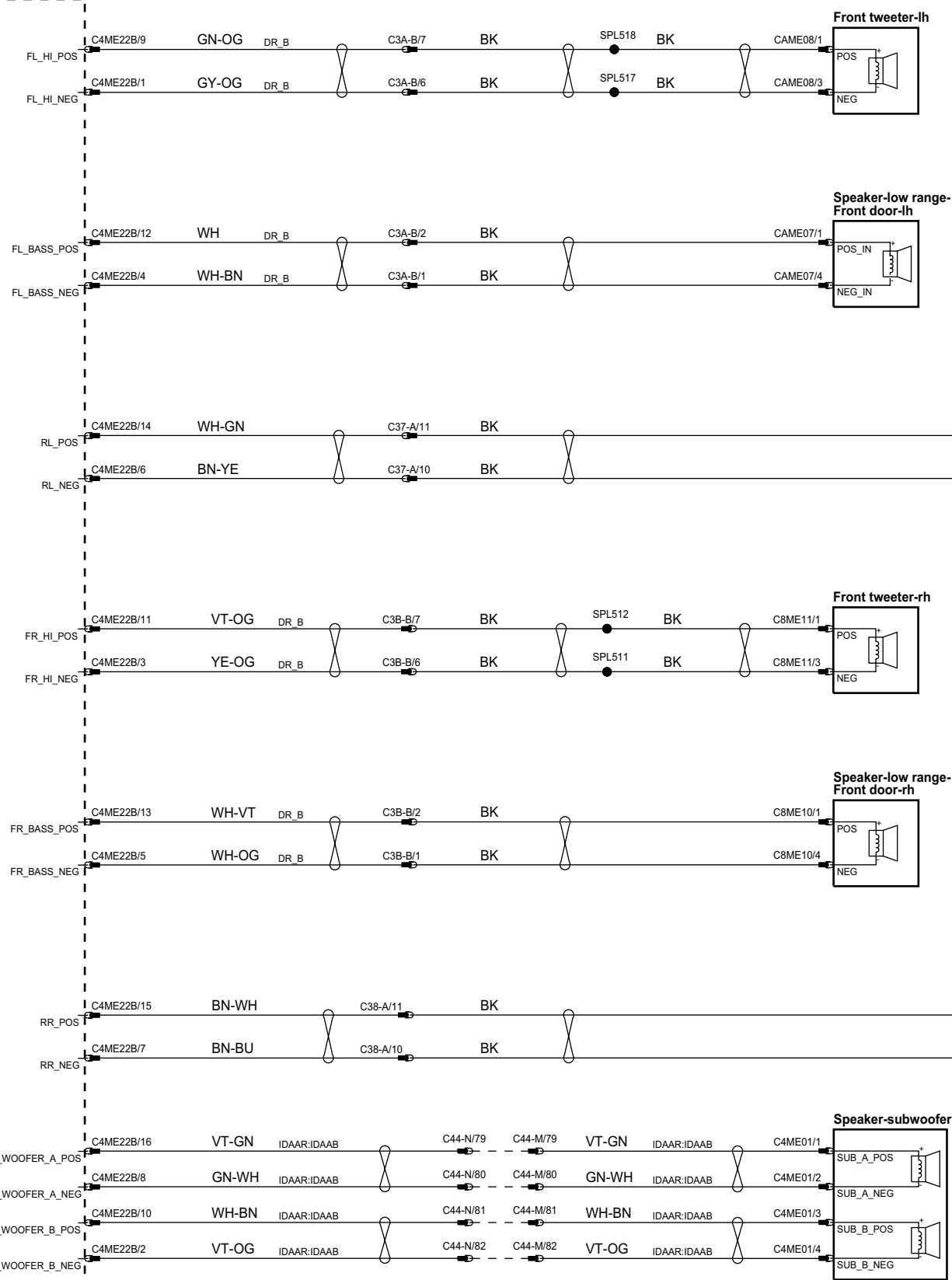
ph883-70441-d-af



ph8/83-70441-e-af

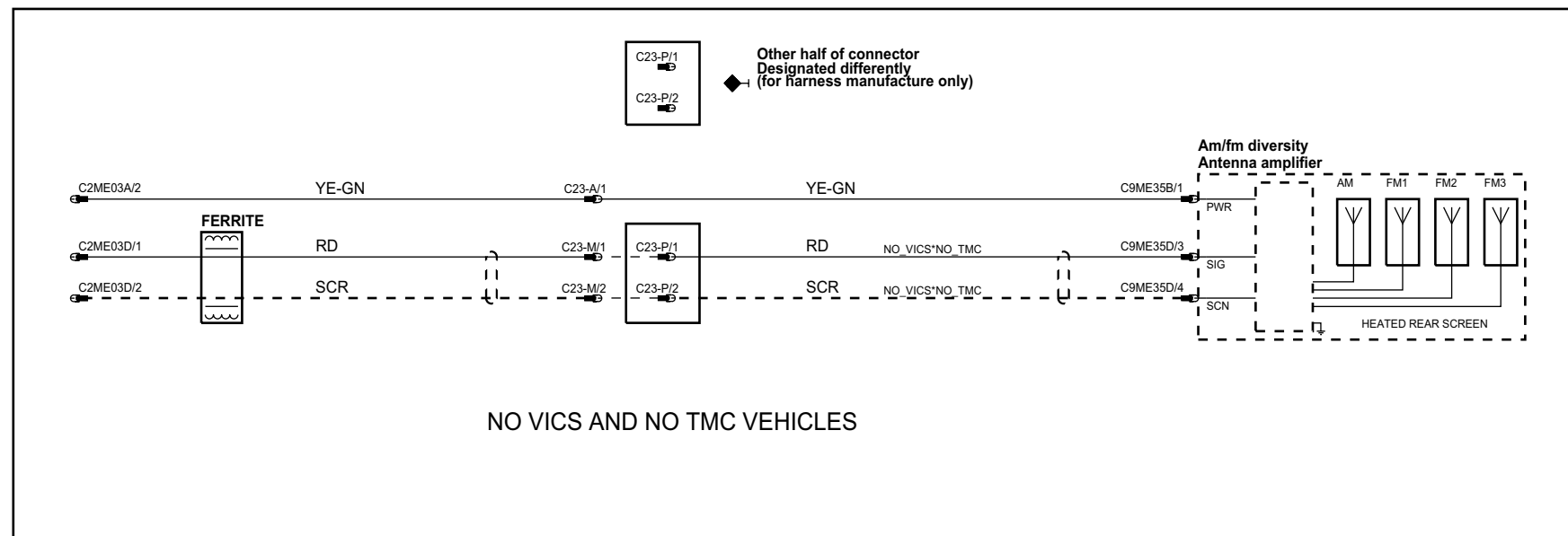
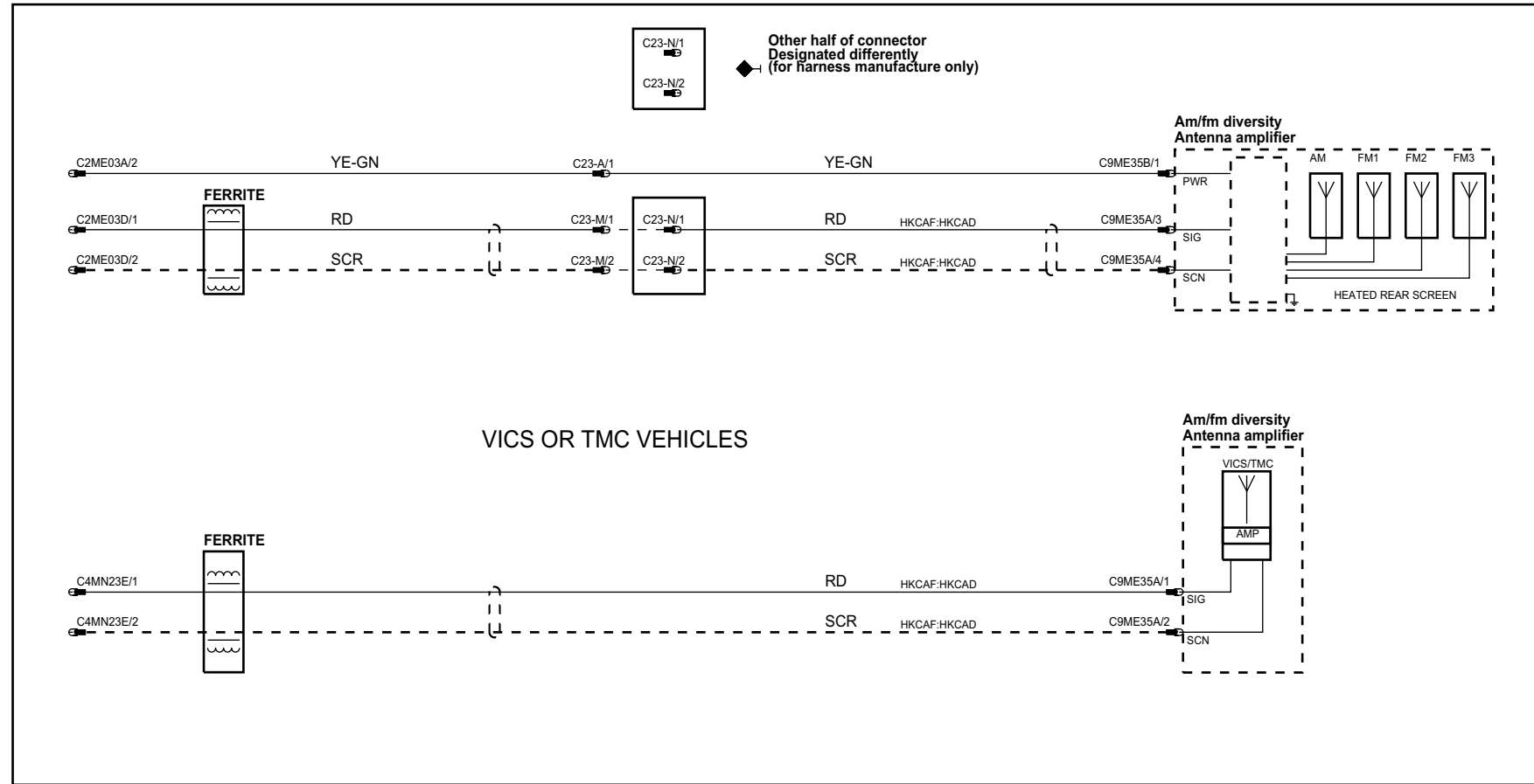


**Amplifier-audio**



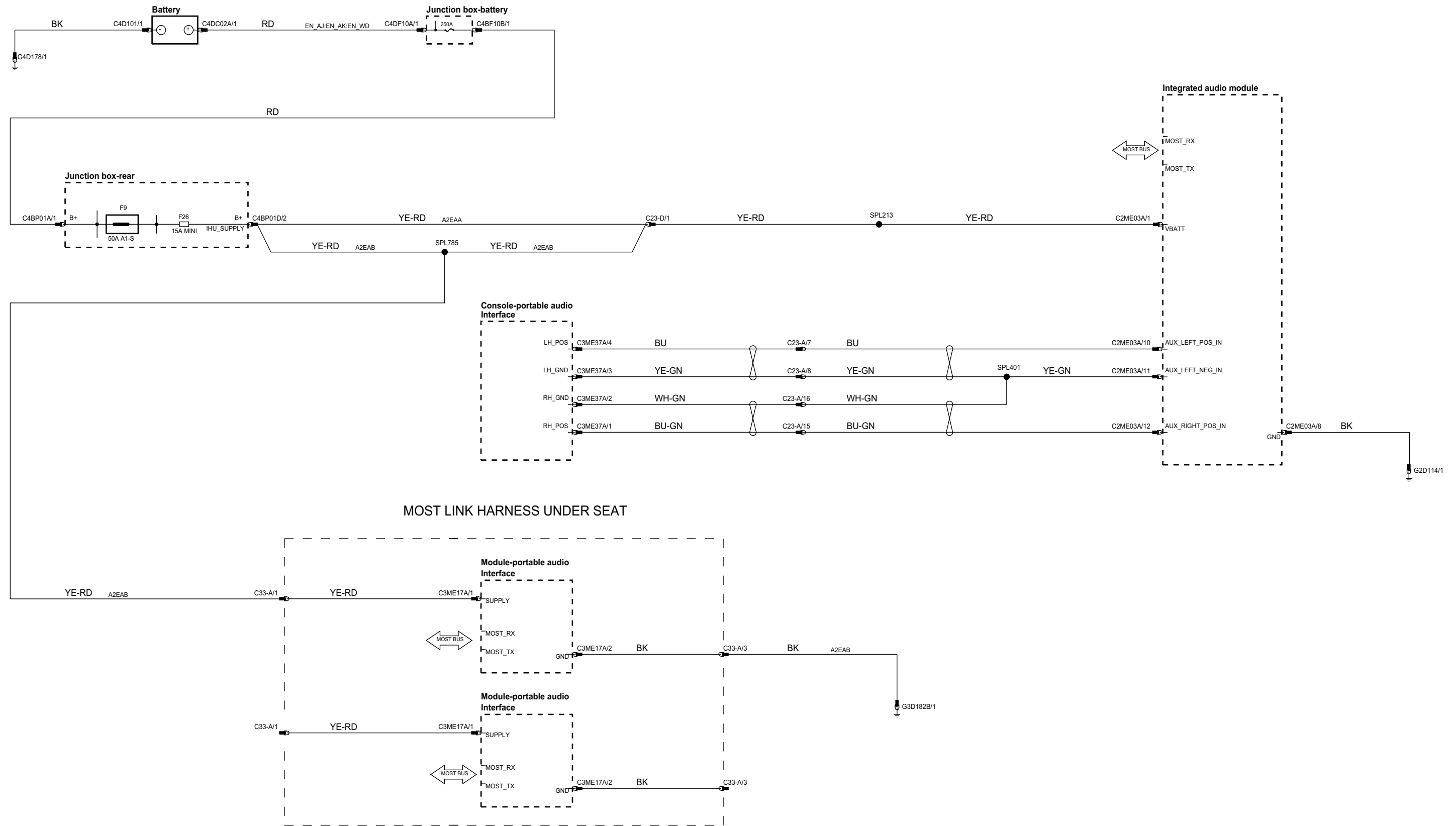
C44-M/## --- C44-N/## False connector (used for harness manufacture)

ph883-70442-a-af

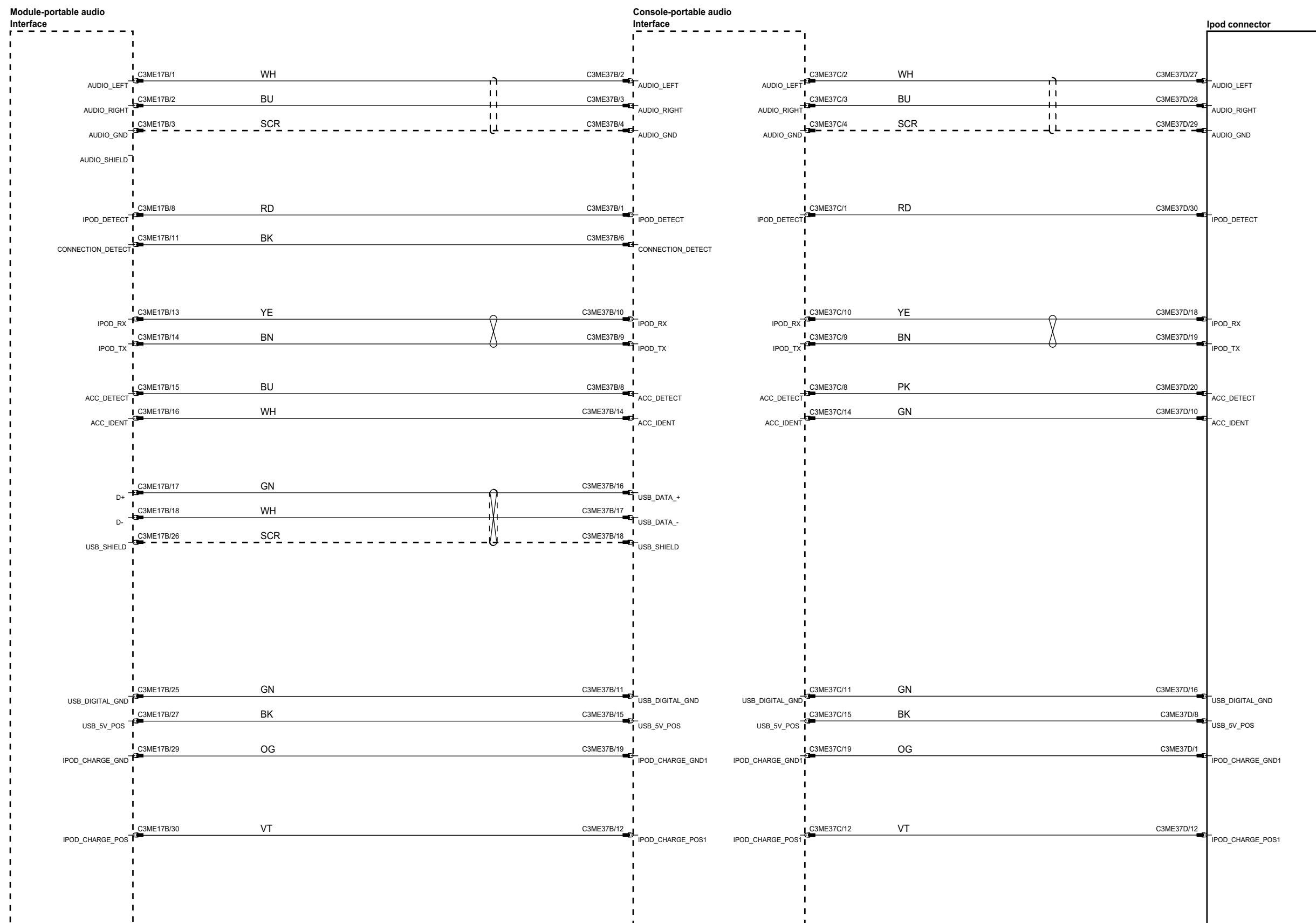


x

ph8r83-70445-a-af

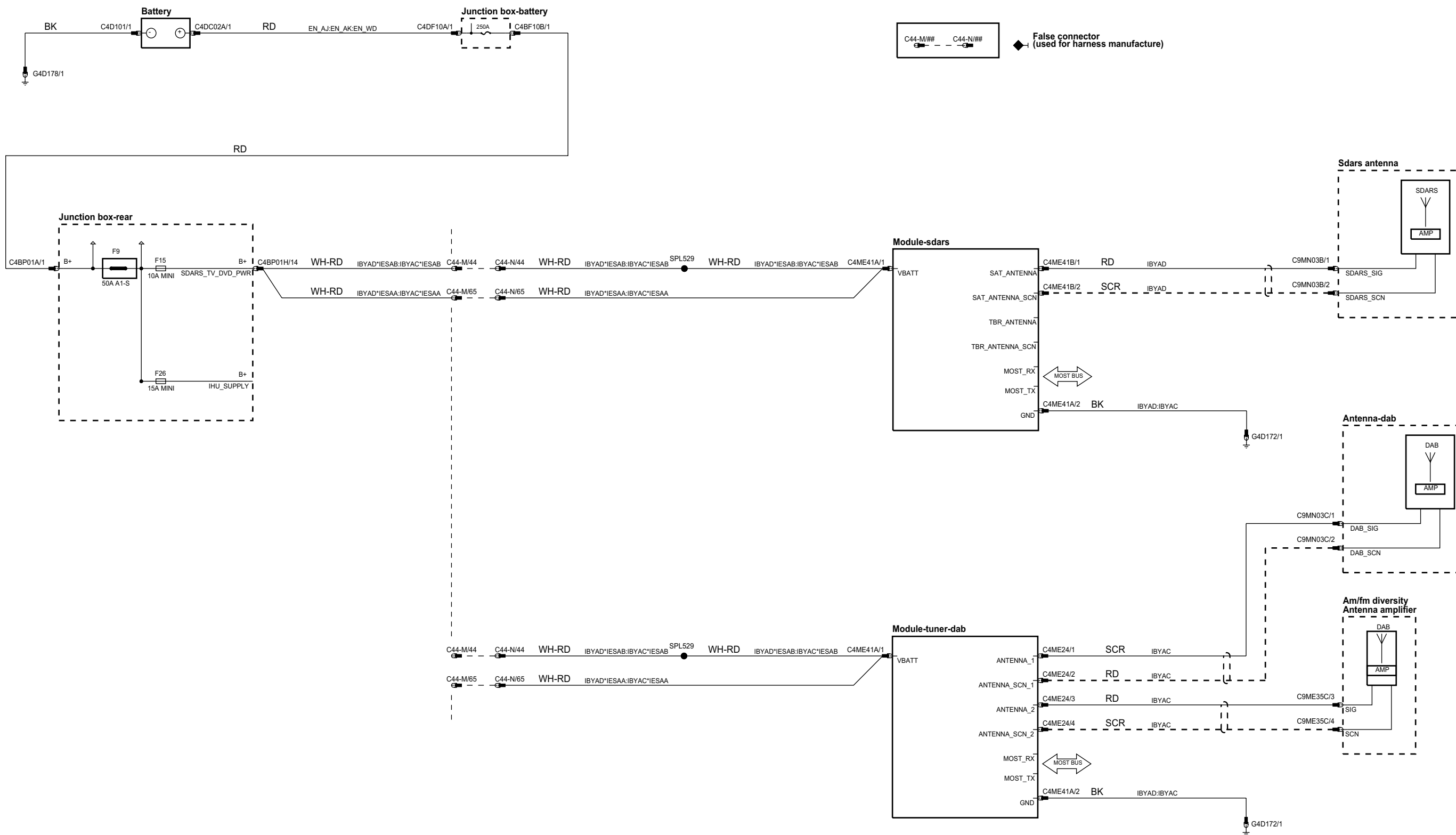


ph883-70445-b-af



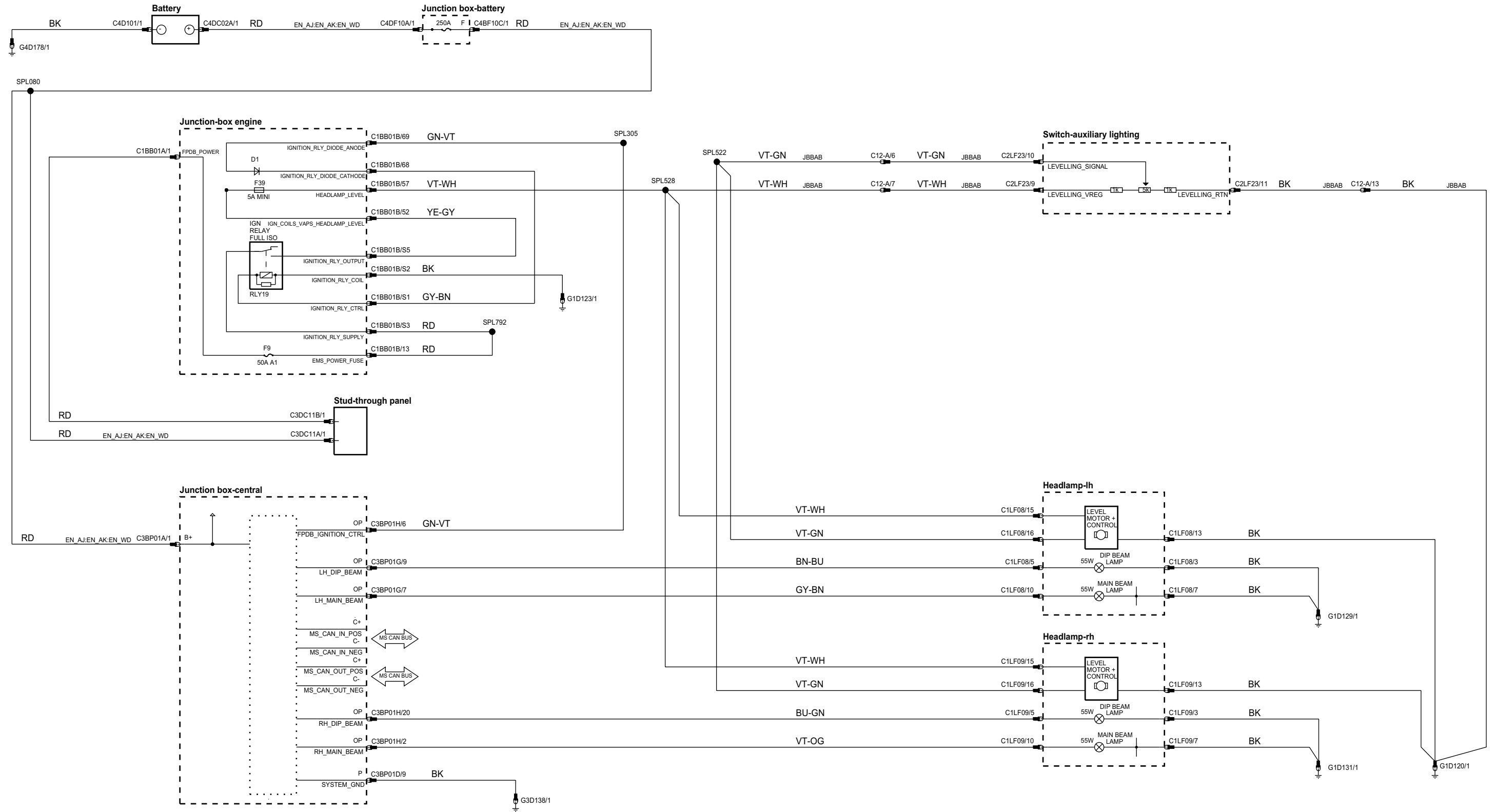


ph8/83-70447-a-af

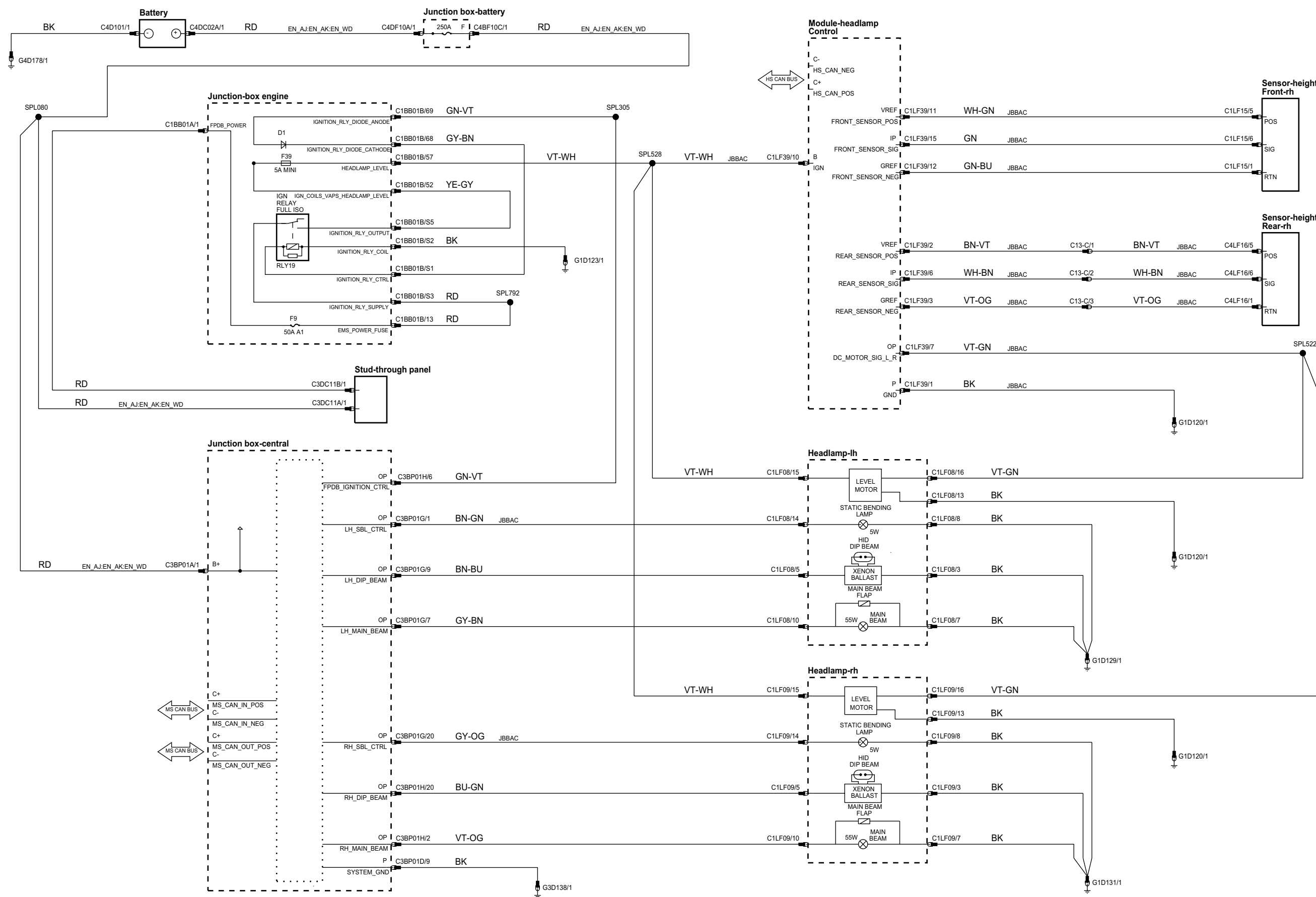




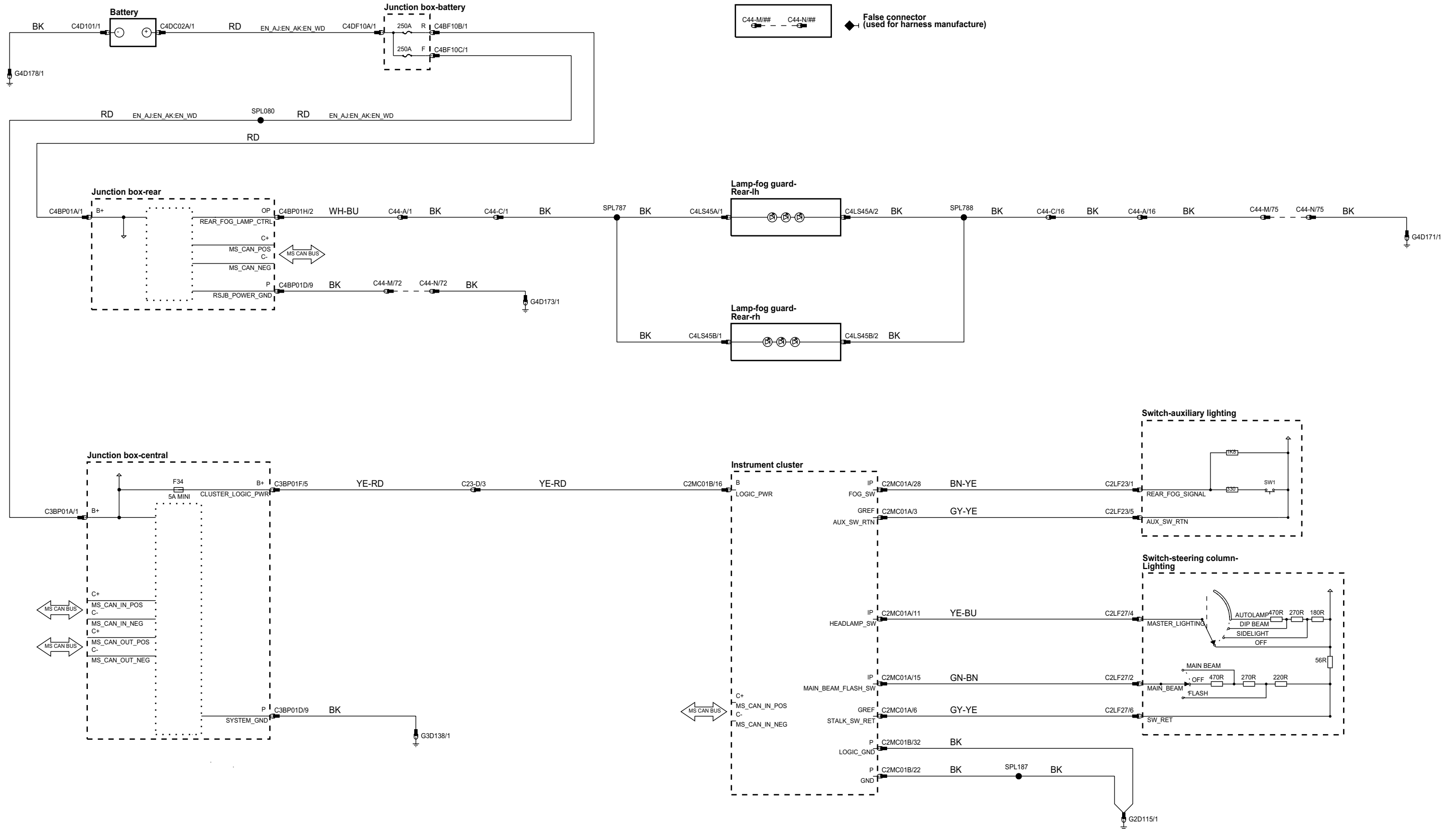
ph8/83-70061-a-af



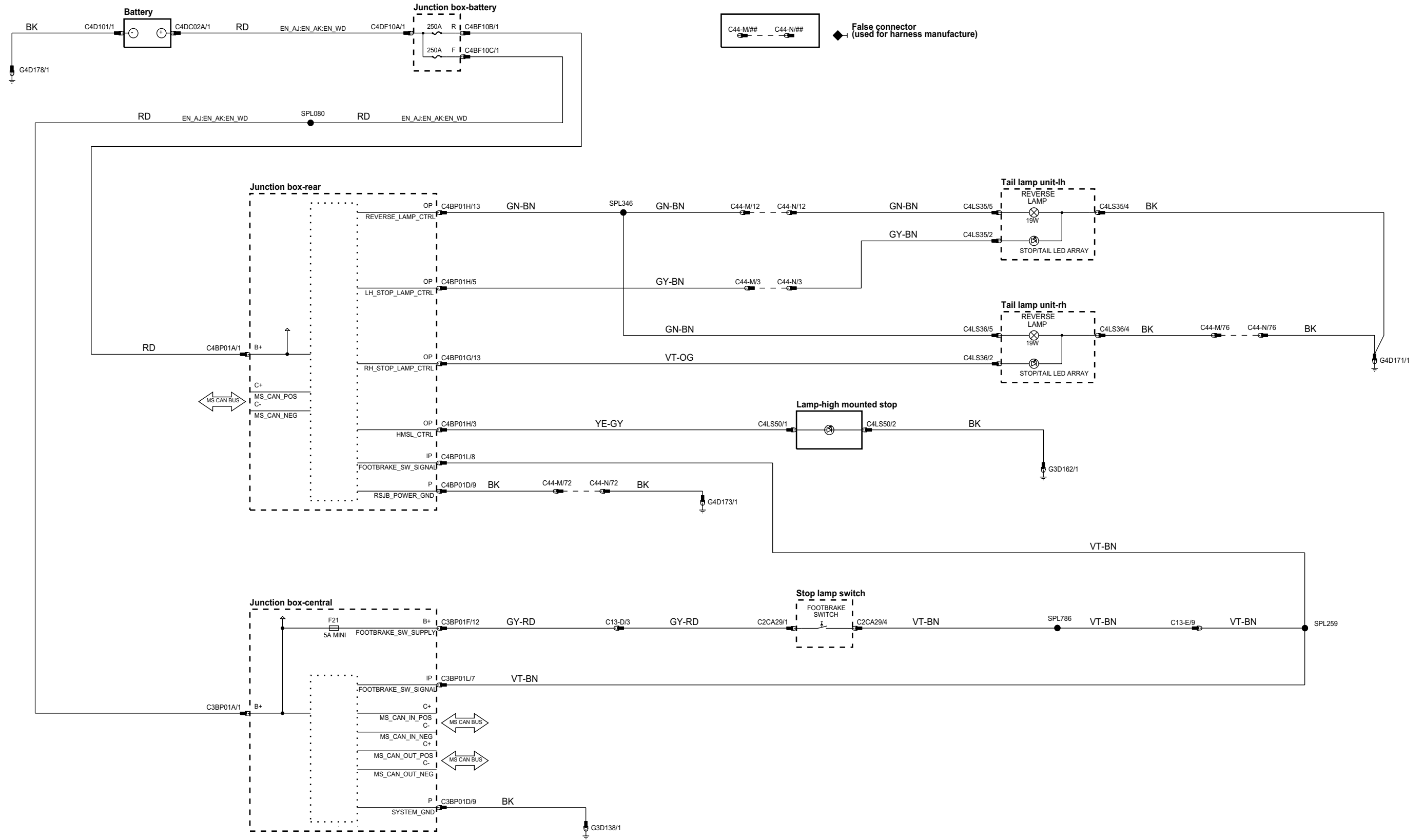
ph883-70061-b-af



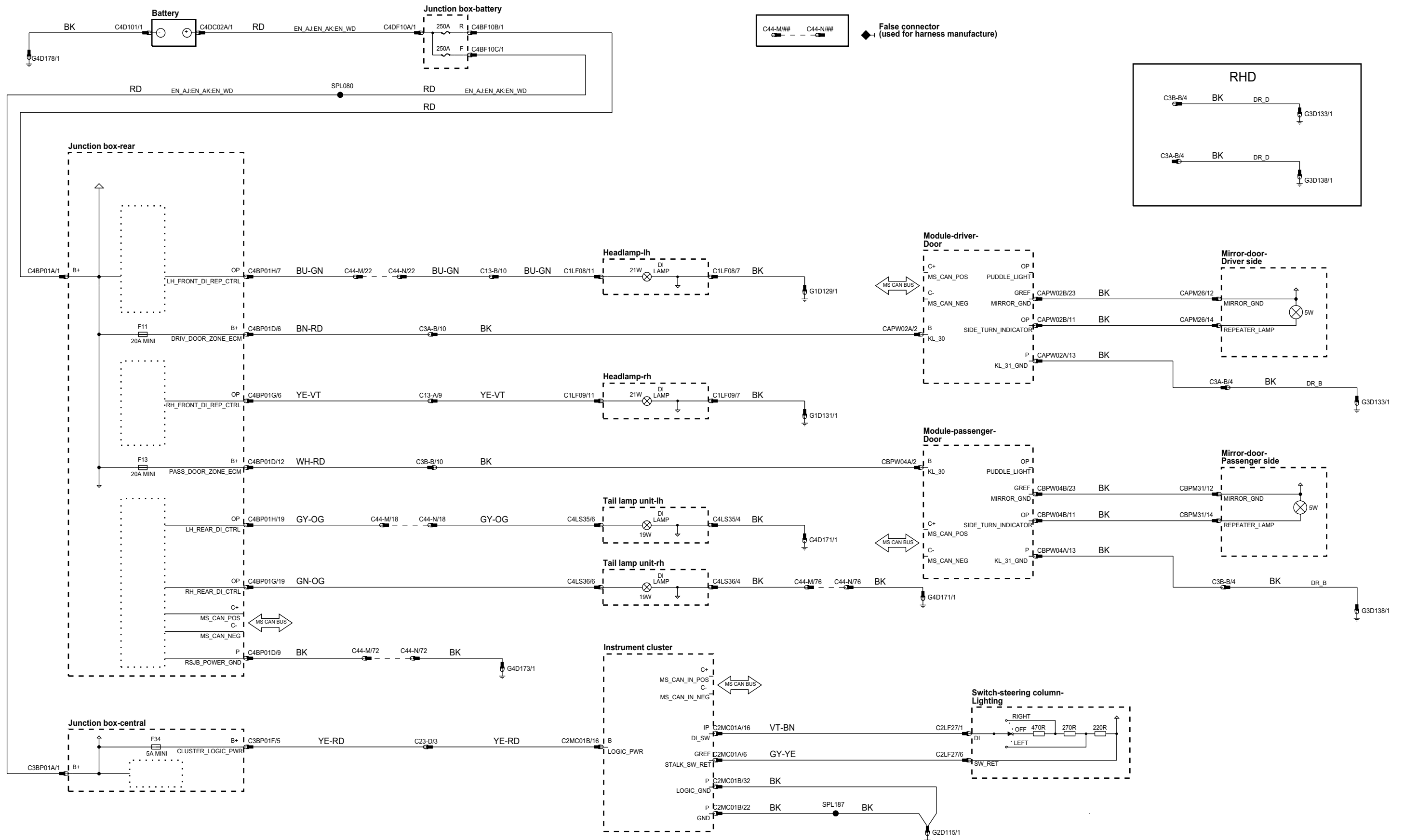
ph8/83-70072-a-af



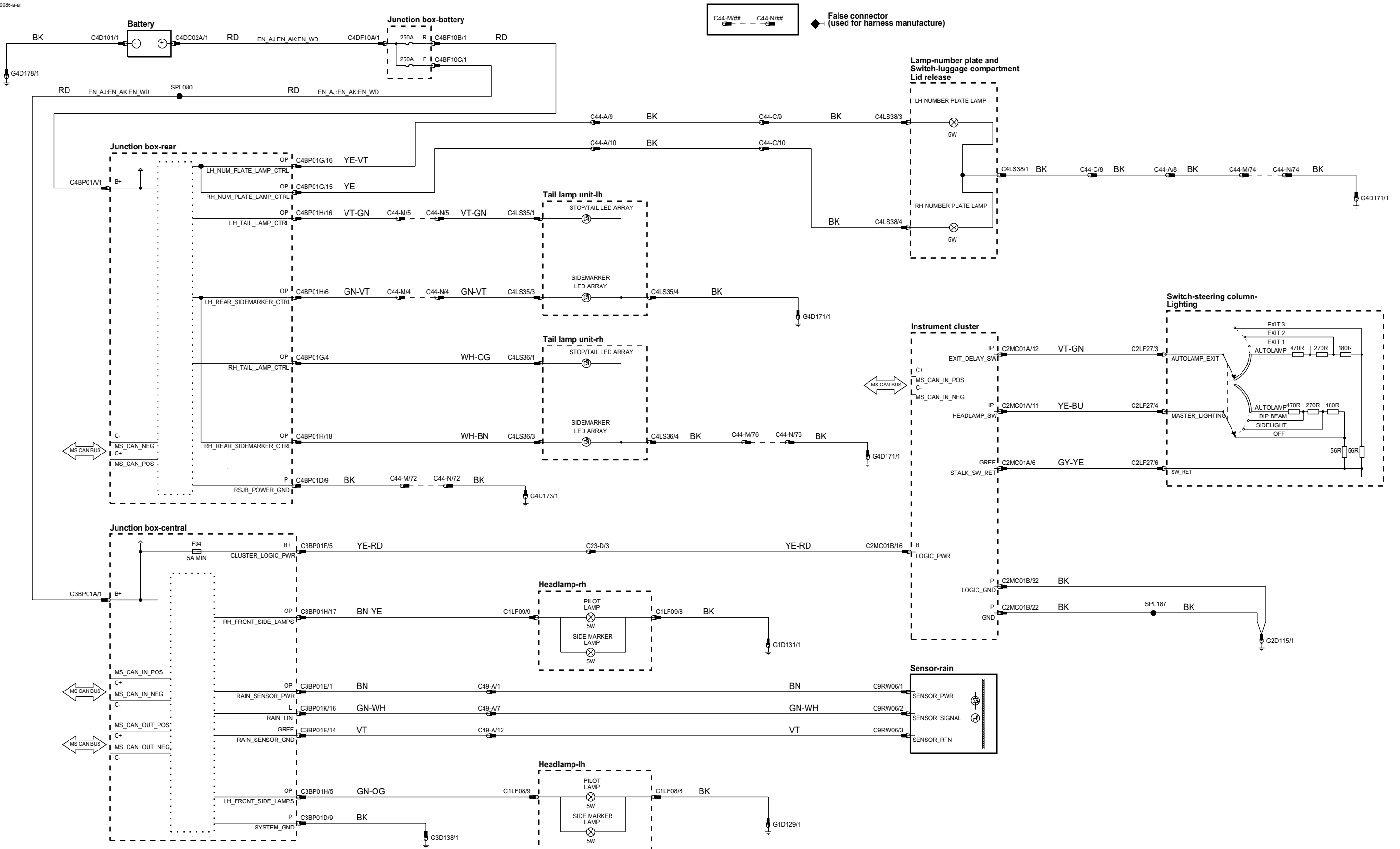
ph883-70075-a-af



ph8r83-70078-a-af

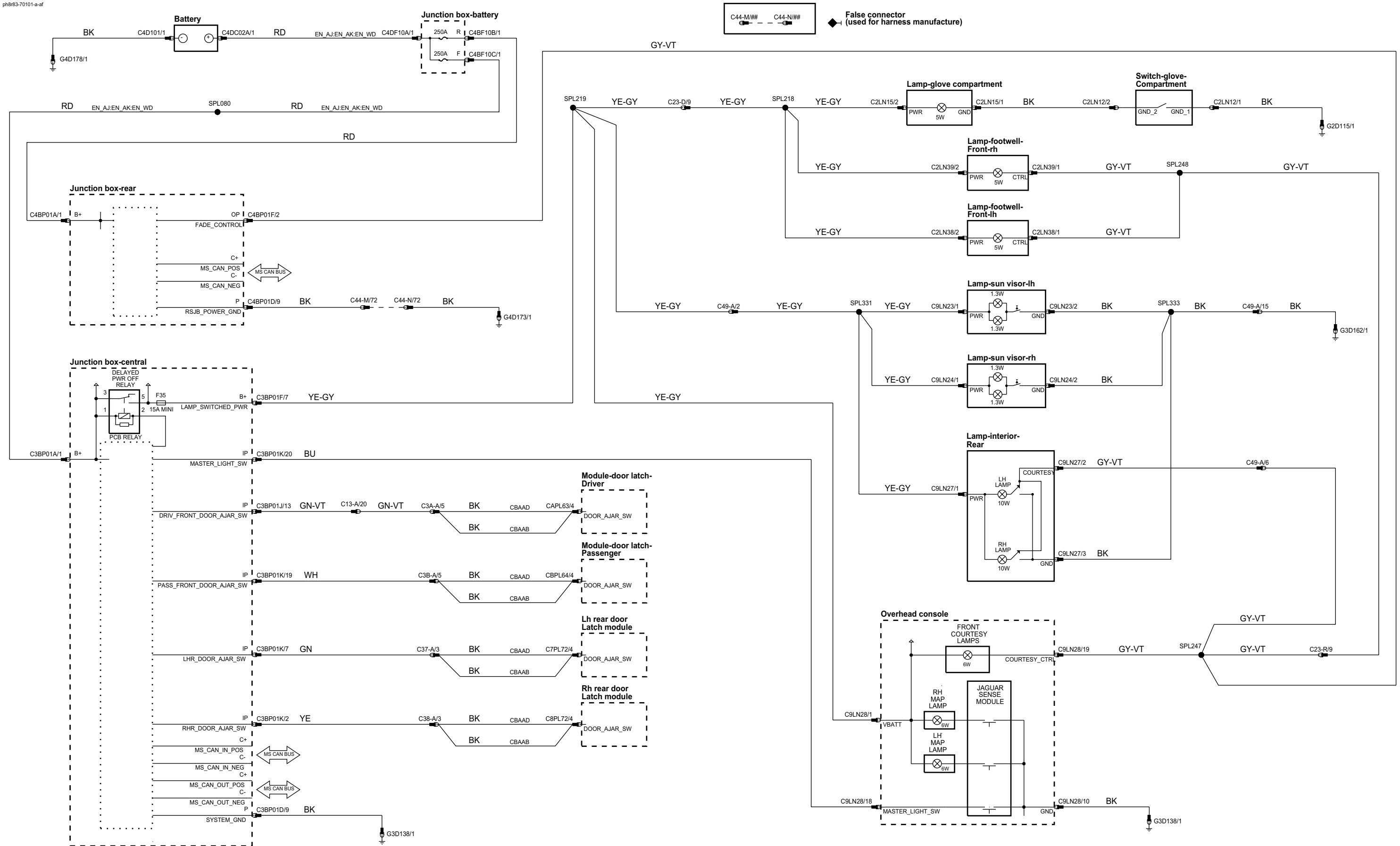


ph0r83-70086-a-af

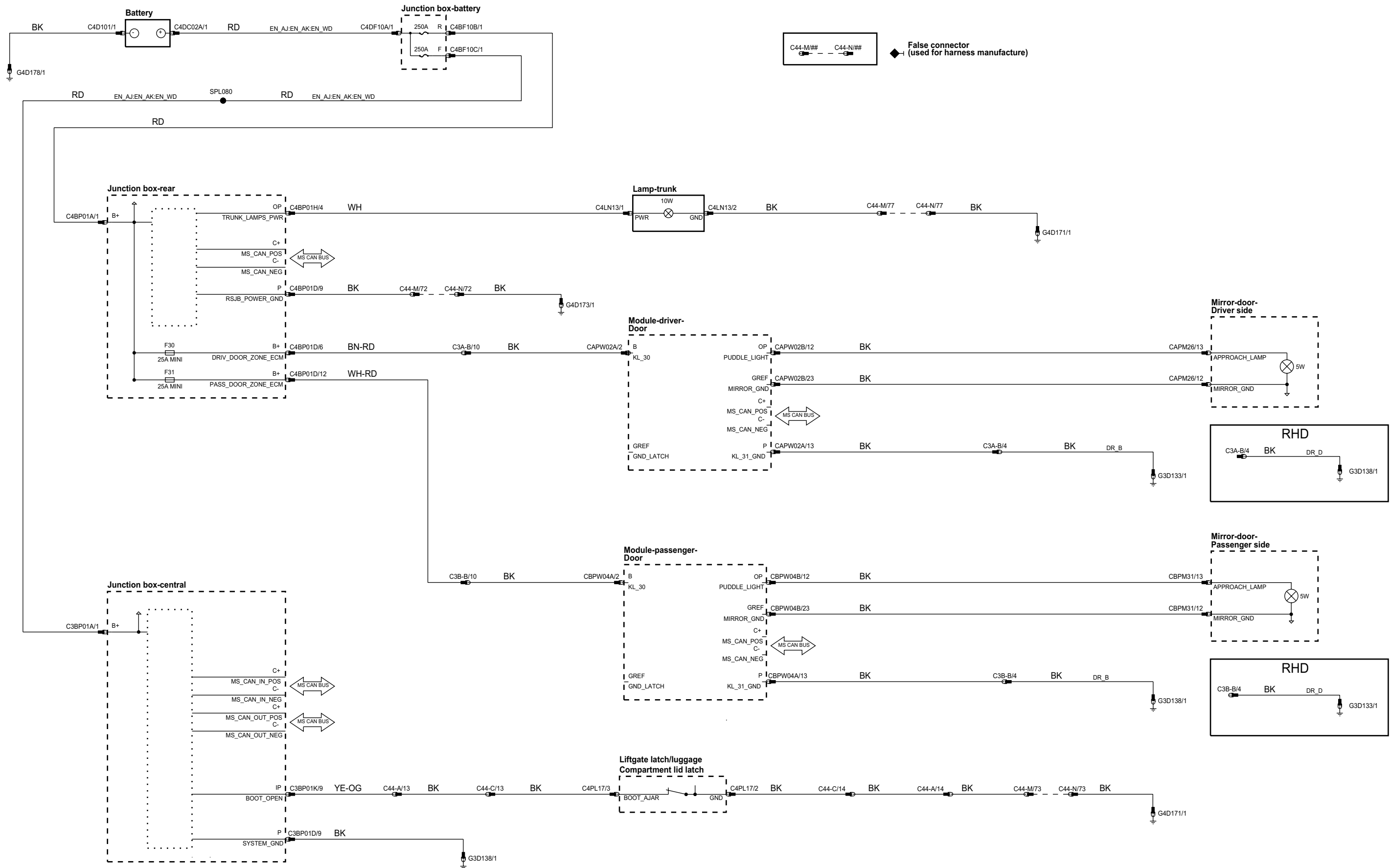




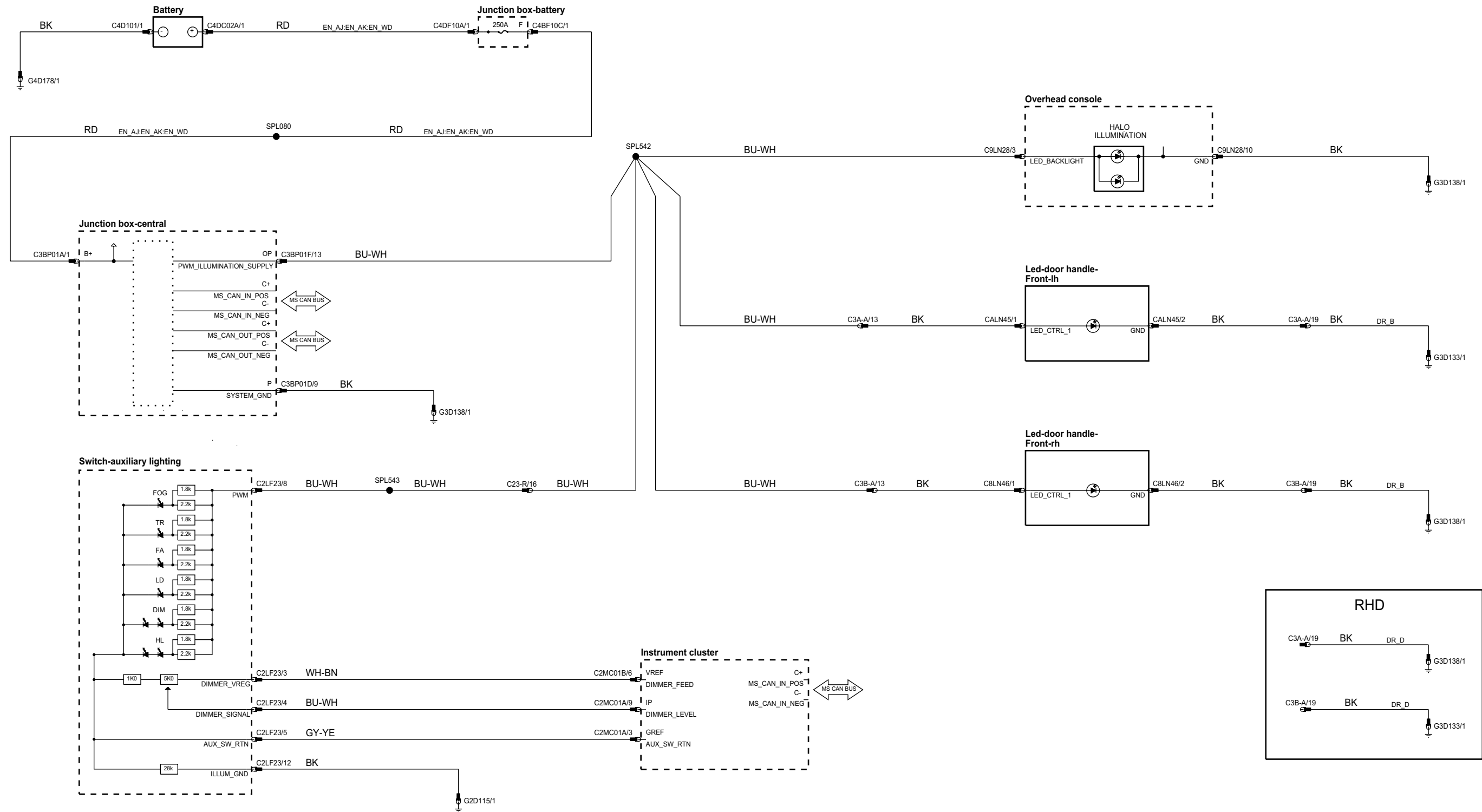
ph8r63-70101-a-af



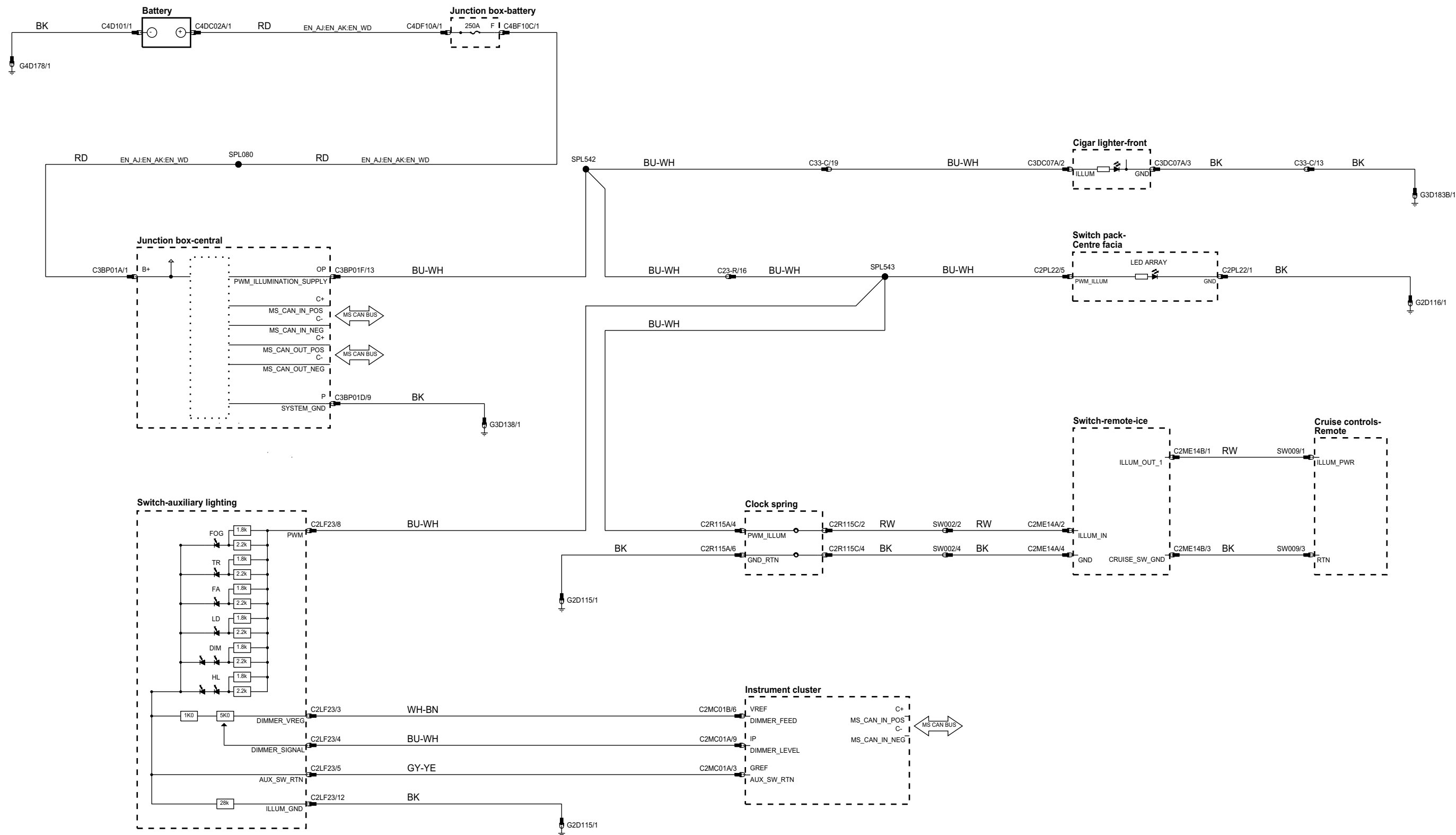
ph8r83-70104-a-af



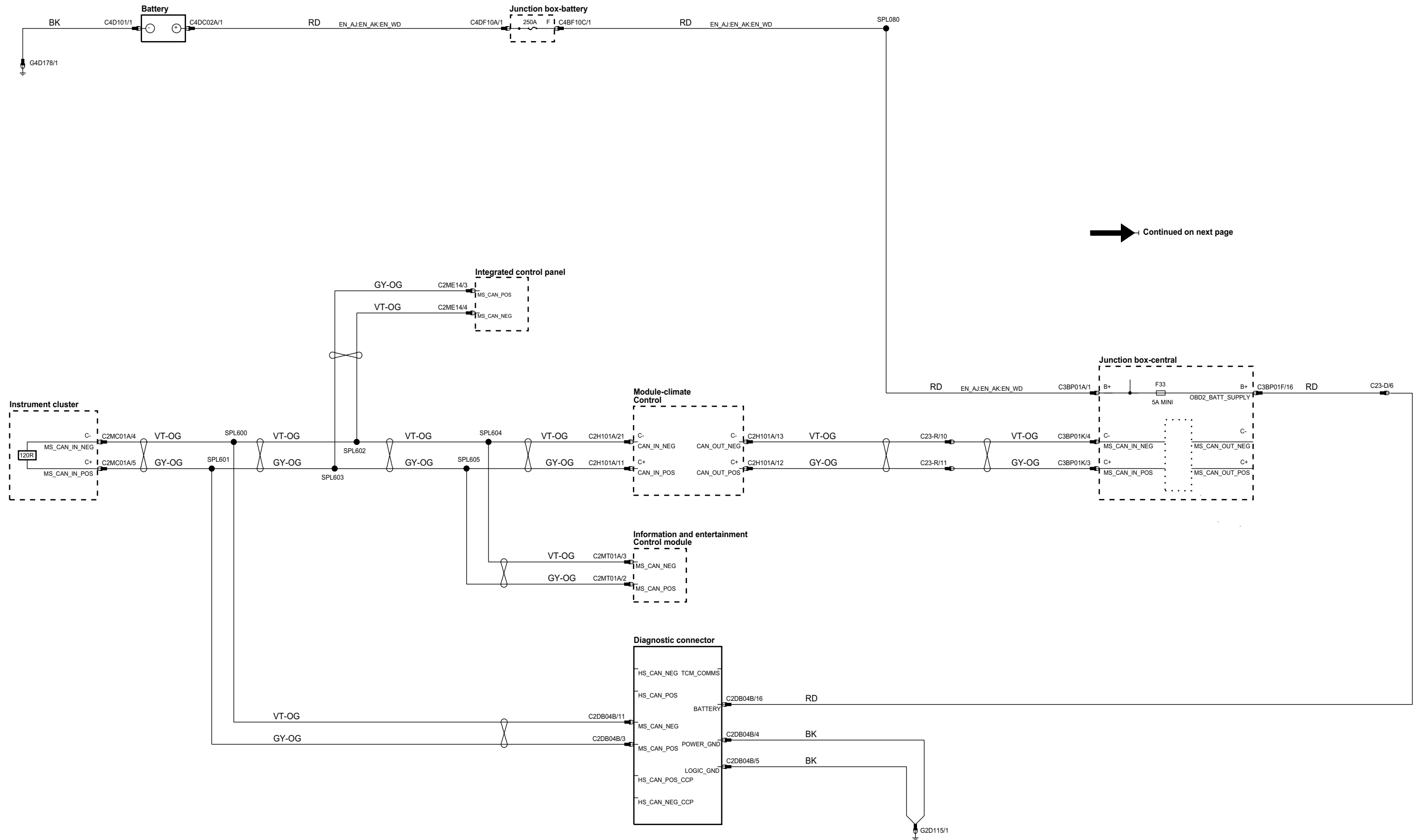
ph8/83-70106-a-af



ph863-70123-a-af

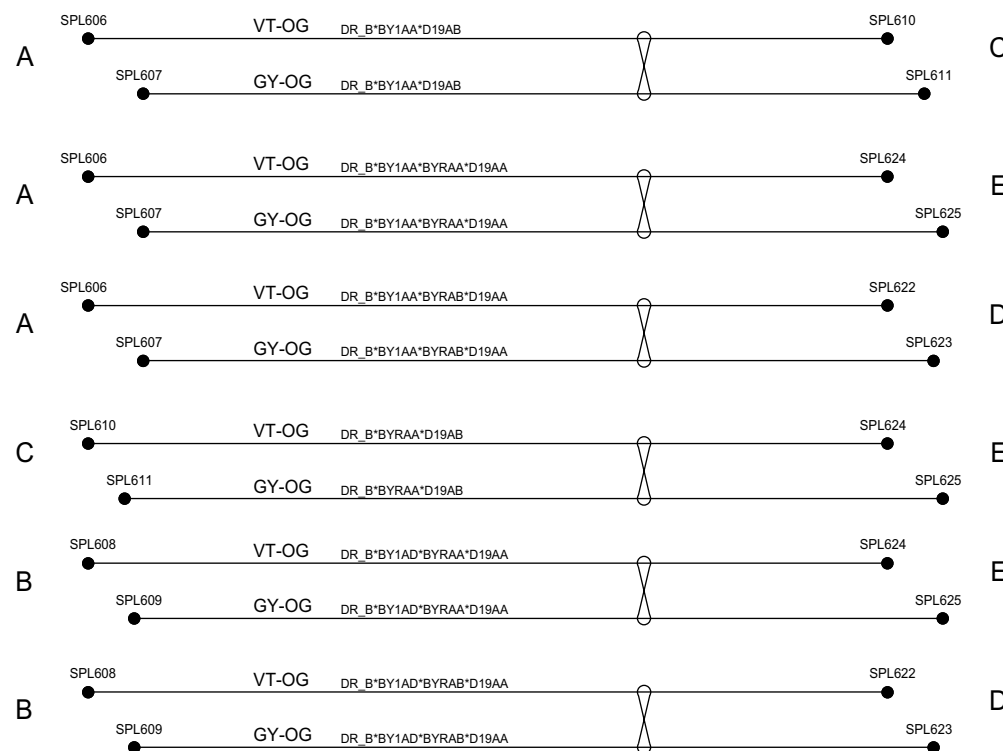
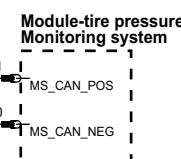
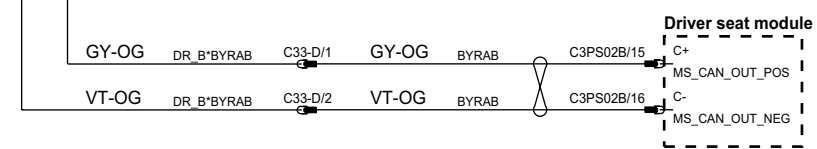
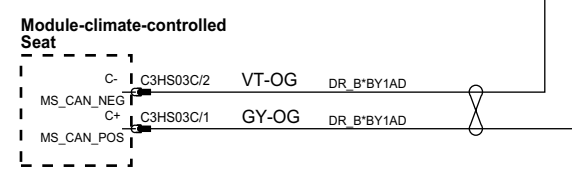
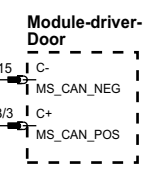
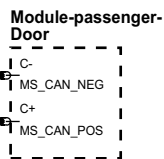
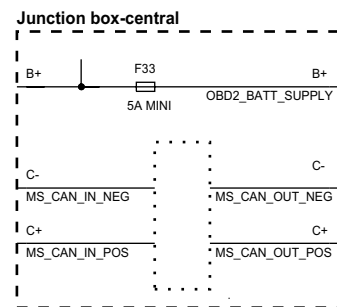


ph8/70016-a-af



ph8r83-70016-b-af

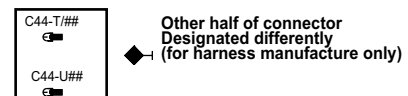
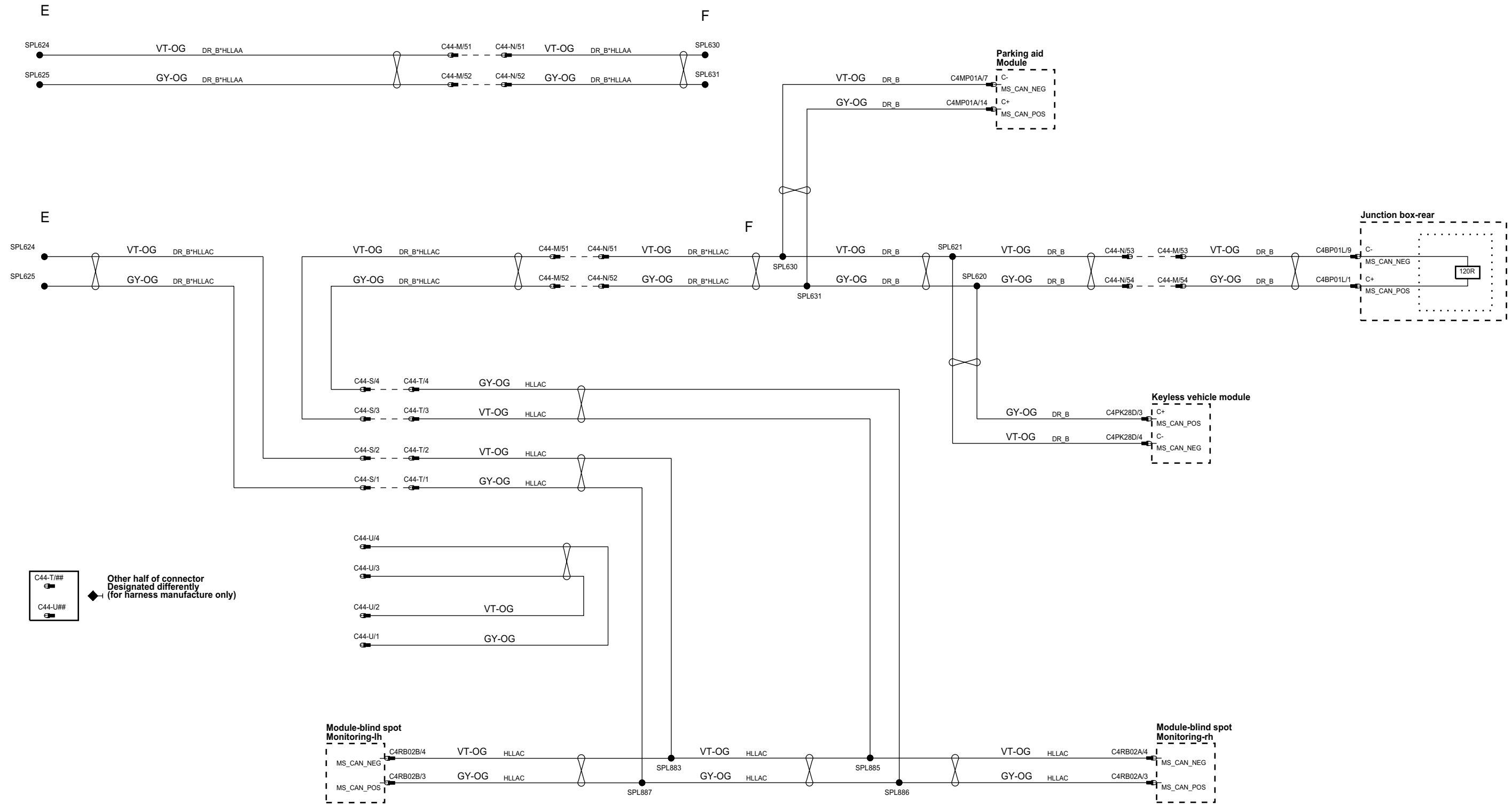
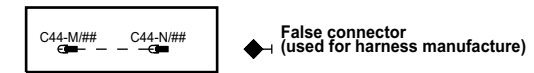
Continued from previous page



Continued on next page

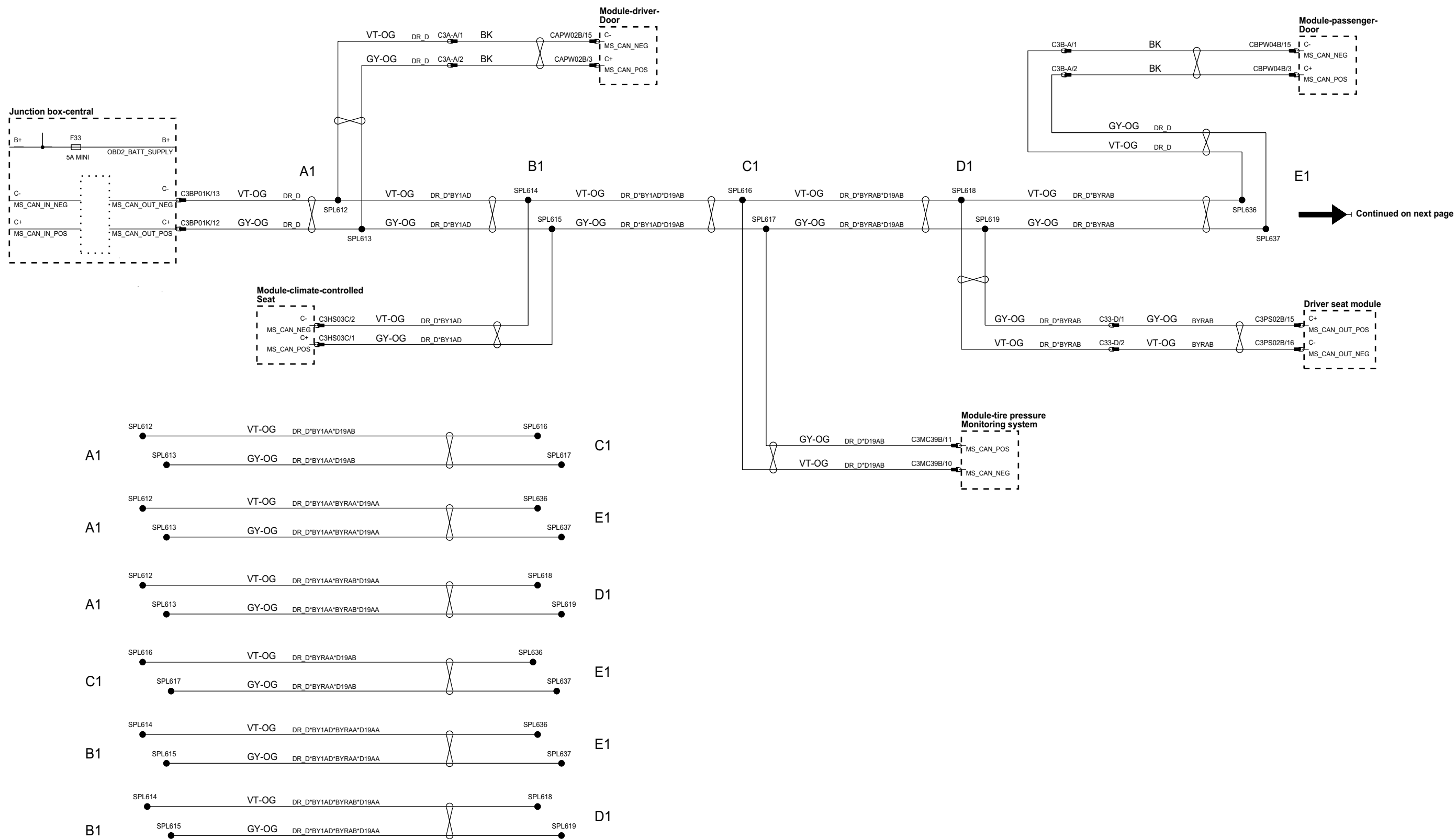
ph8/83-70016-c-af

Continued from previous page



ph883-70016-d-af

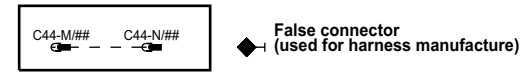
Continued from part 1



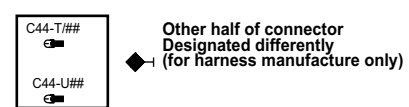
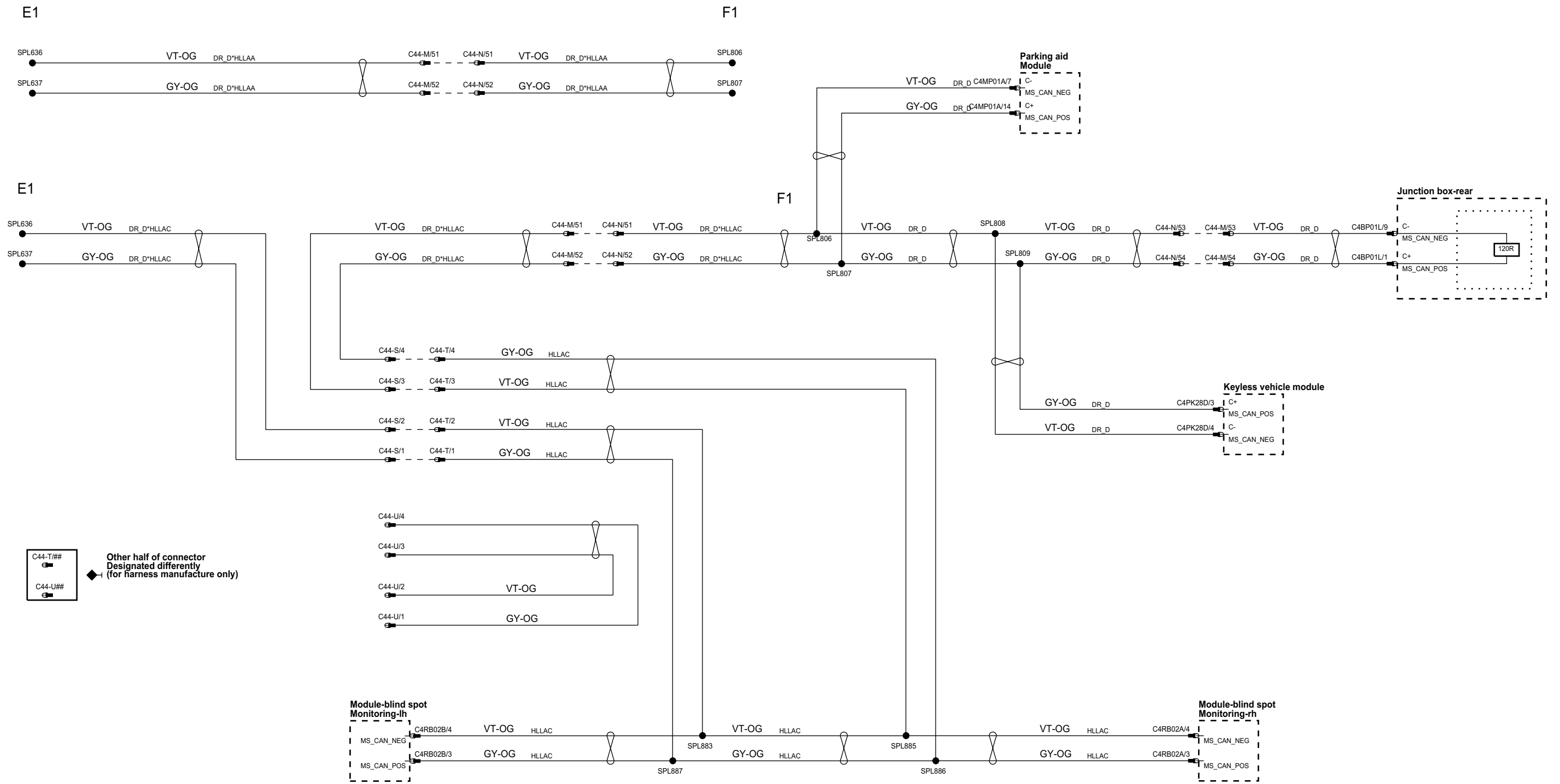
Continued on next page



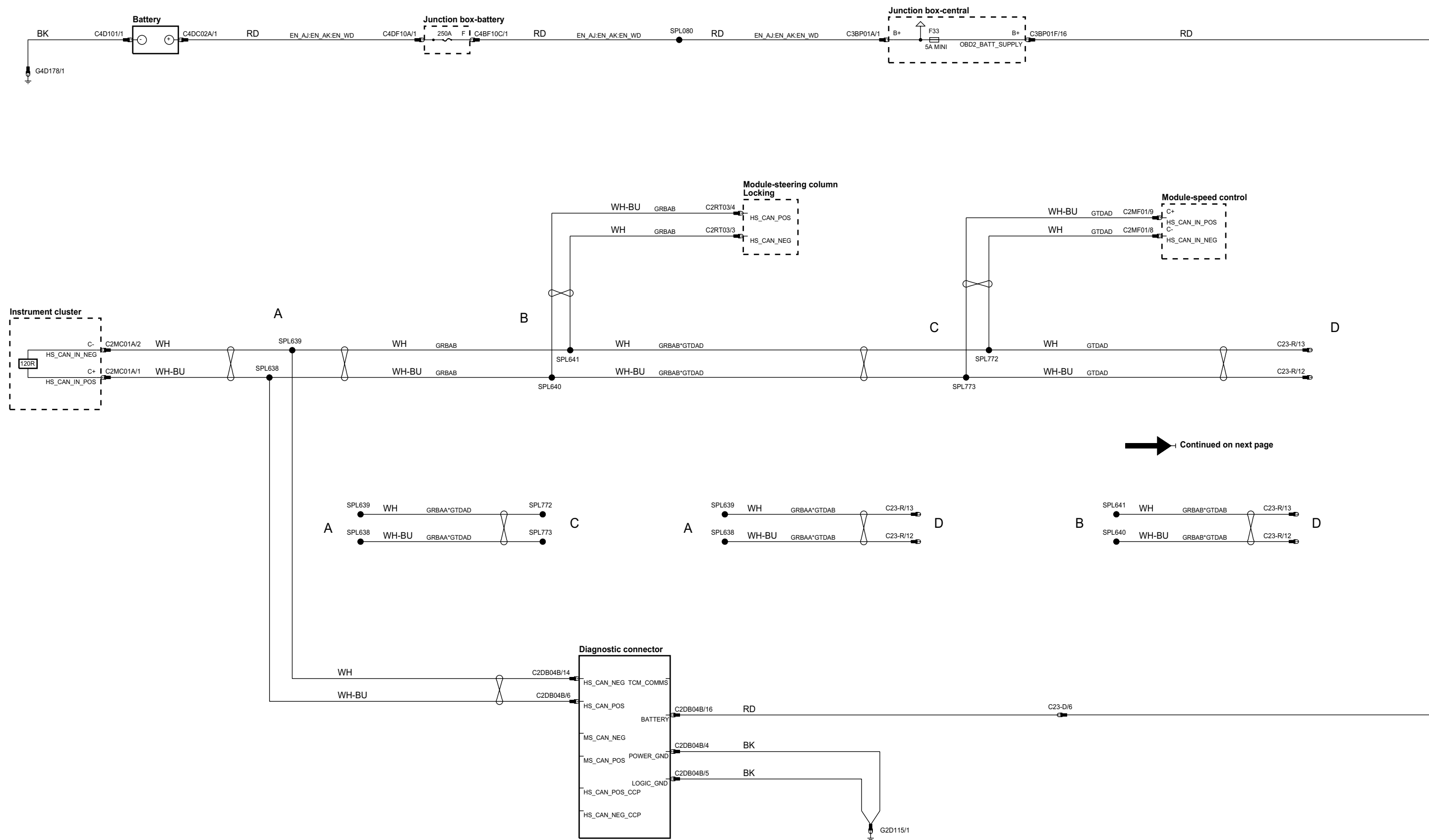
h8r83-70016-e-af



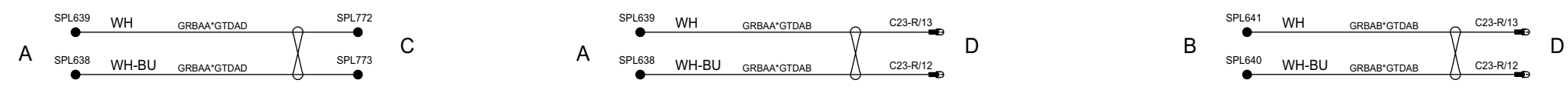
Continued from previous page



ph8r70016-f-af



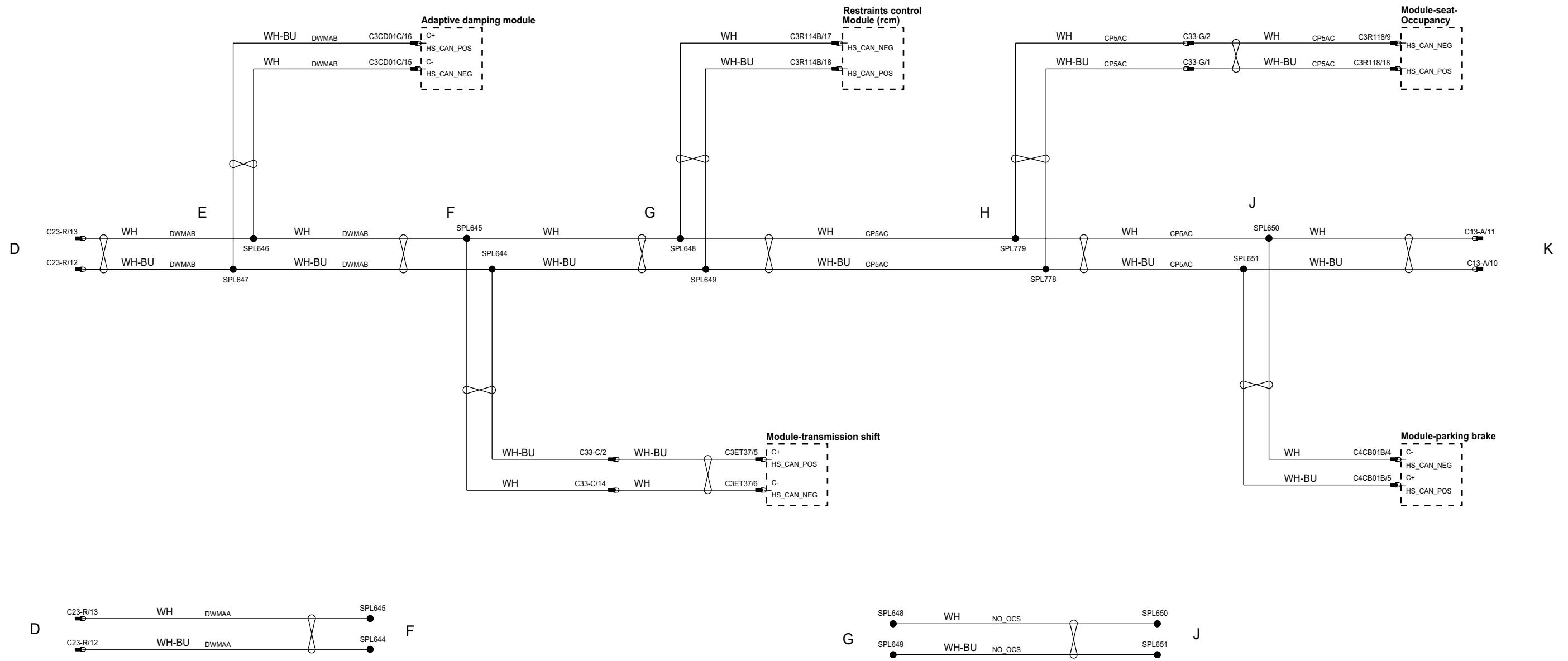
Continued on next page



h8r83-70016-g-af

Continued from previous page

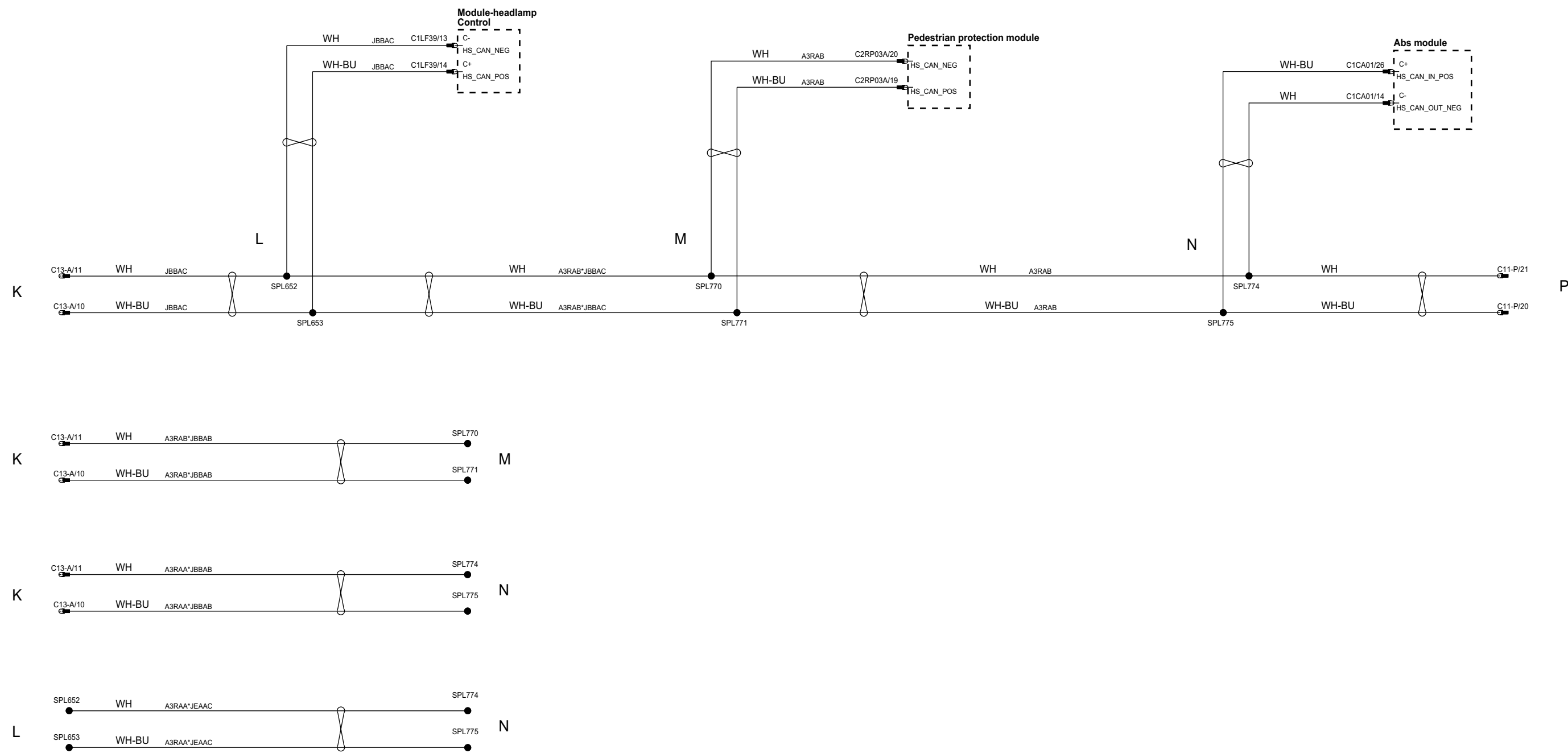
Continued on next page



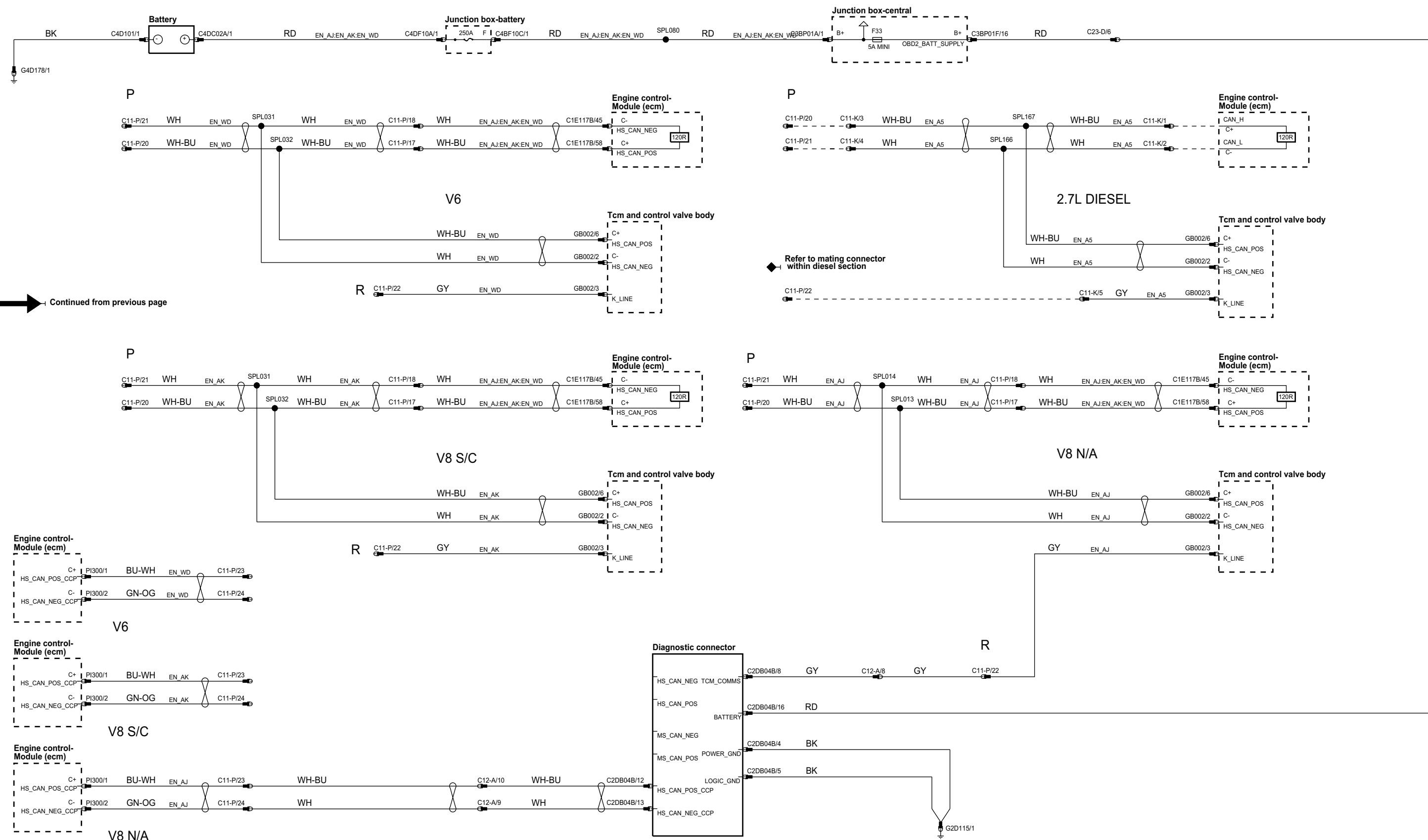
ph883-70016-h-af

Continued from previous page

Continued on next page



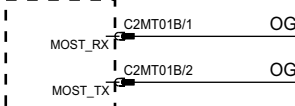
ph8r83-70016-j-af



Continued from previous page

ph870016-k-af

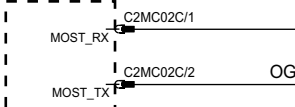
**Information and entertainment Control module**



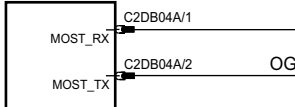
**Integrated audio module**



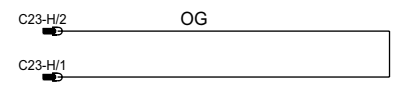
**Touch screen Display**



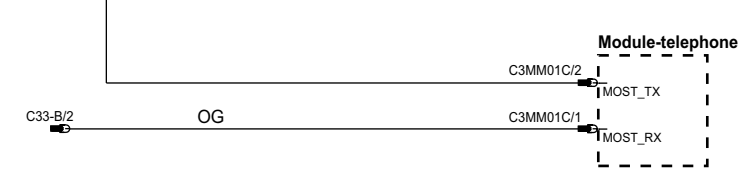
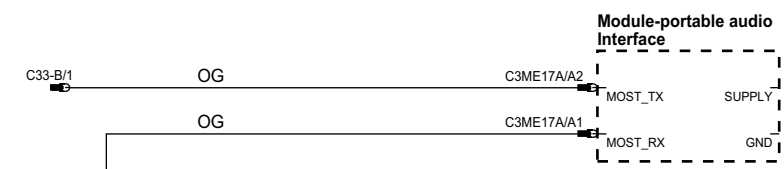
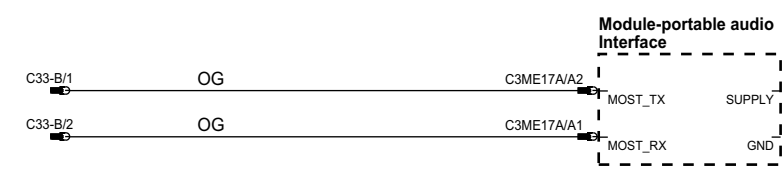
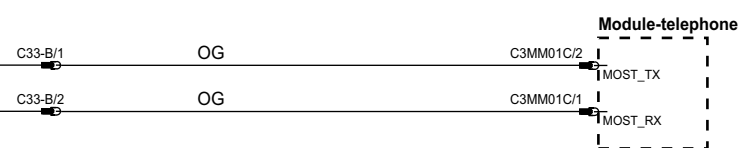
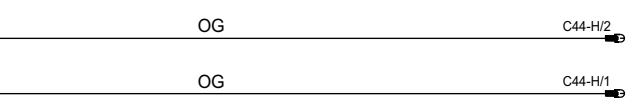
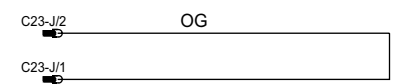
**Connector-most diagnostic**



Most loop installed  
When there are no  
Trunk most modules



Most loop installed  
When there are no  
Trunk most modules



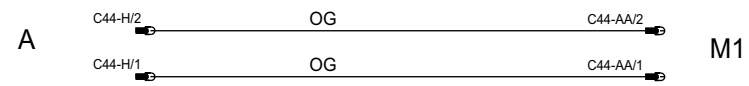
A

Continued on next page

ph8/870016-af

➔ Continued from previous page

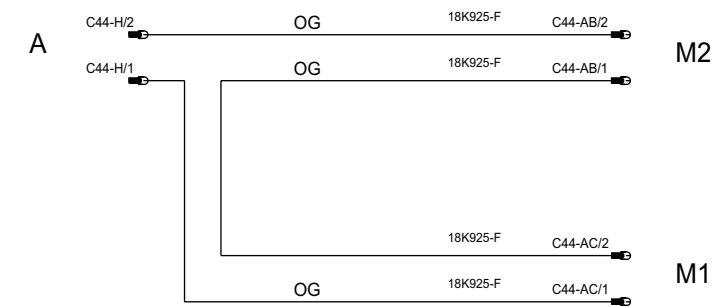
◆ One module(m) only



M1
AMP
MMM
DAB or SDARS
TV

➔ Continued from previous page

◆ Two module(m) combination

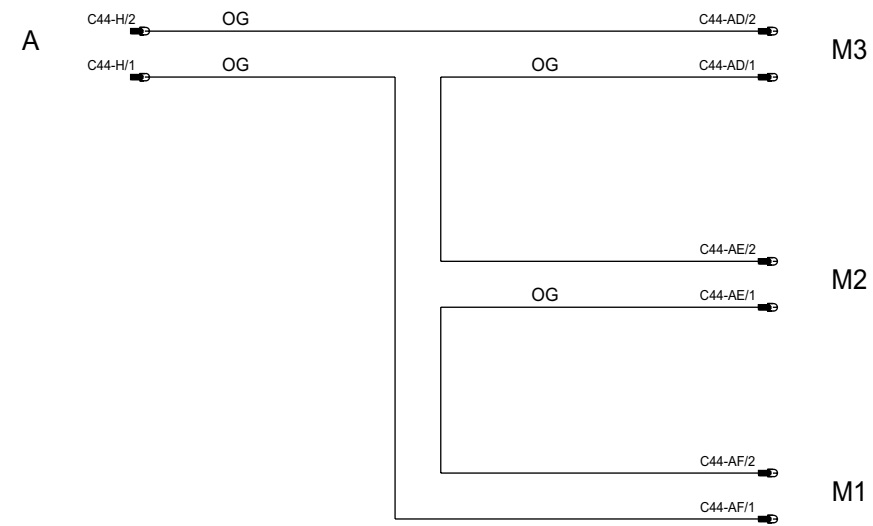


M1	M2
AMP	MMM
AMP	DAB or SDARS
AMP	TV
MMM	DAB or SDARS
MMM	TV
DAB or SDARS	TV

h8/83-70016-m-af

Continued from previous page

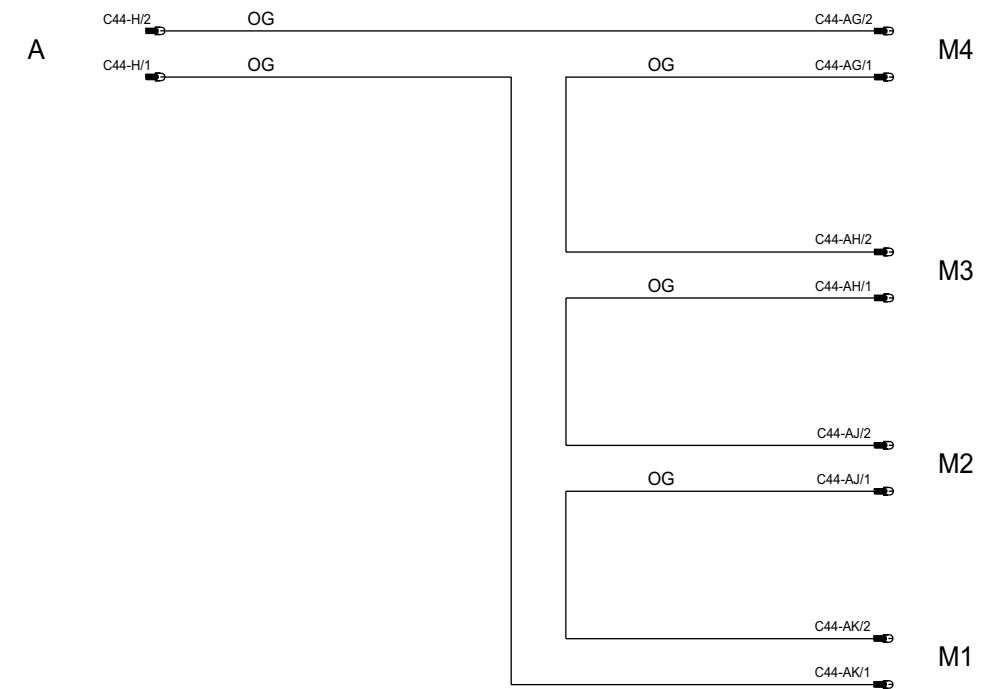
Three module(m) combination



M1	M2	M3
AMP	MMM	DAB or SDARS
AMP	MMM	TV
AMP	DAB or SDARS	TV
MMM	DAB or SDARS	TV

Continued from previous page

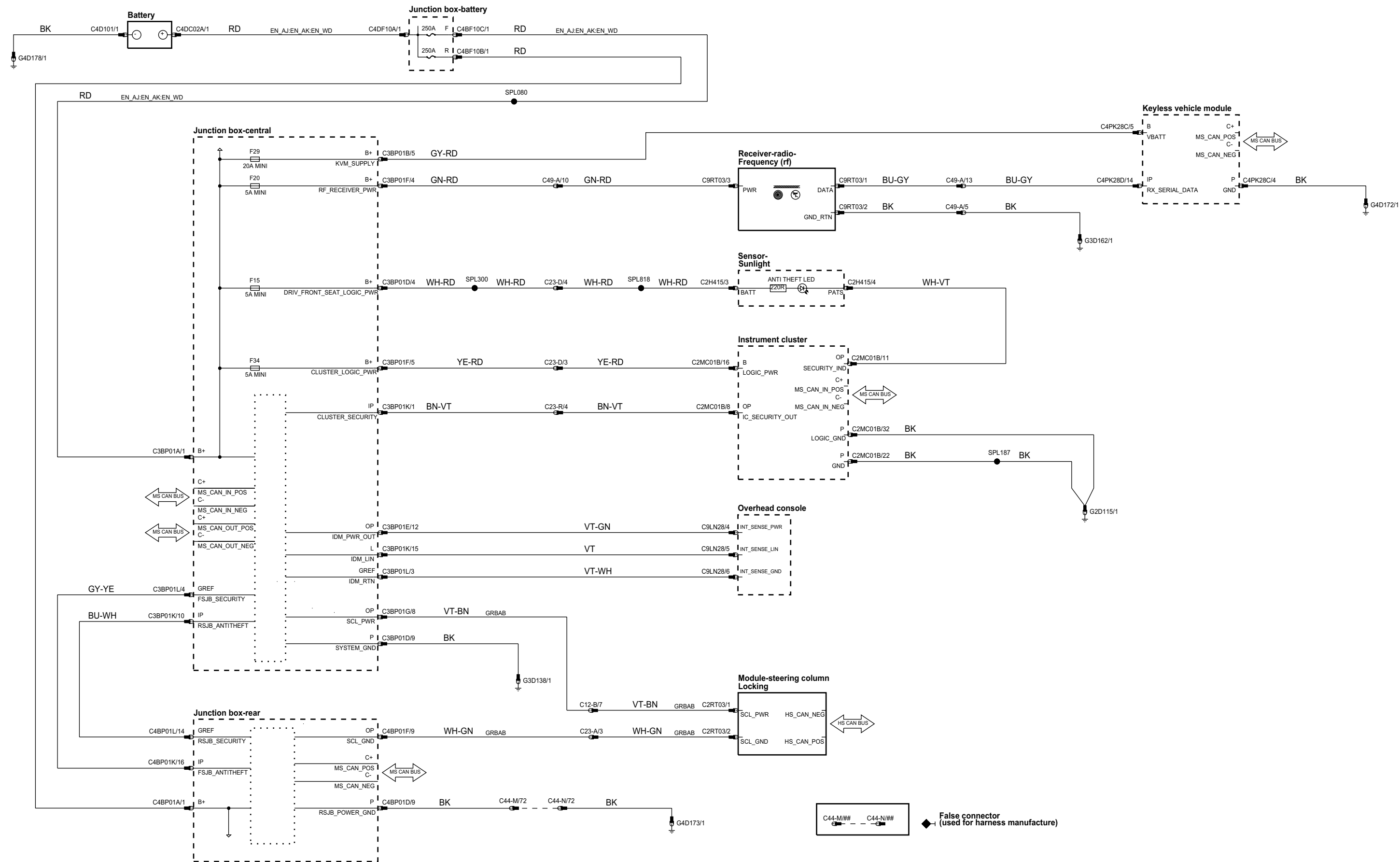
Four module(m) combination



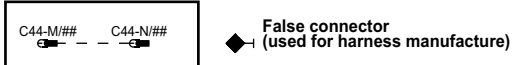
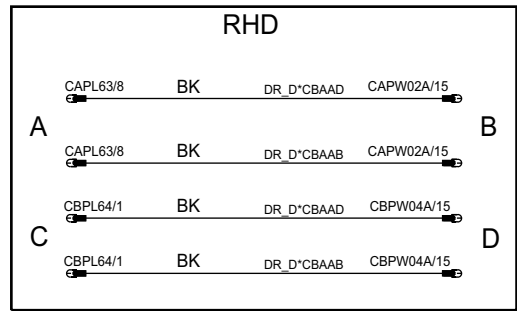
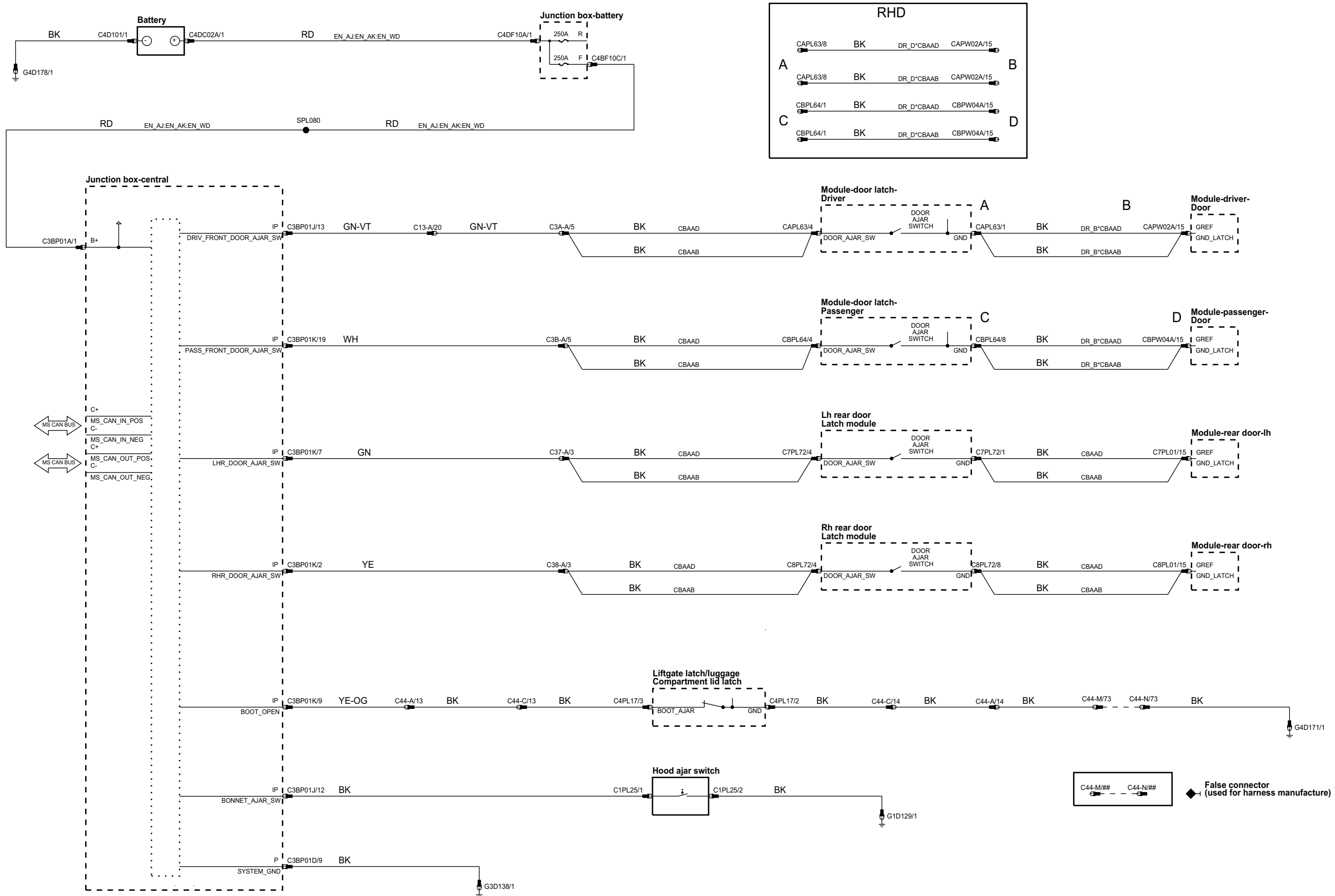
M1	M2	M3	M4
AMP	MMM	TV	DAB or SDARS



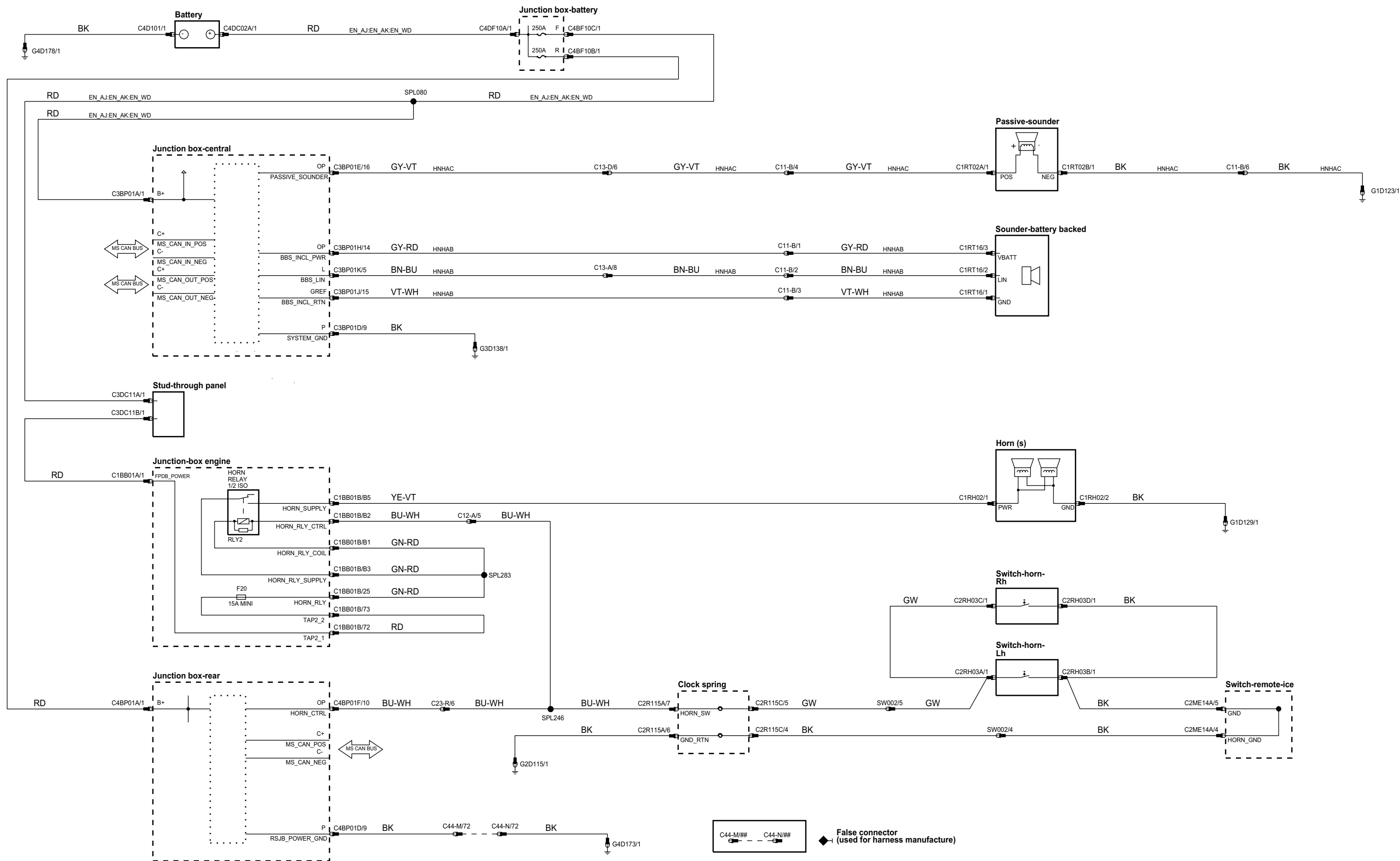
ph8/83-70395-a-af



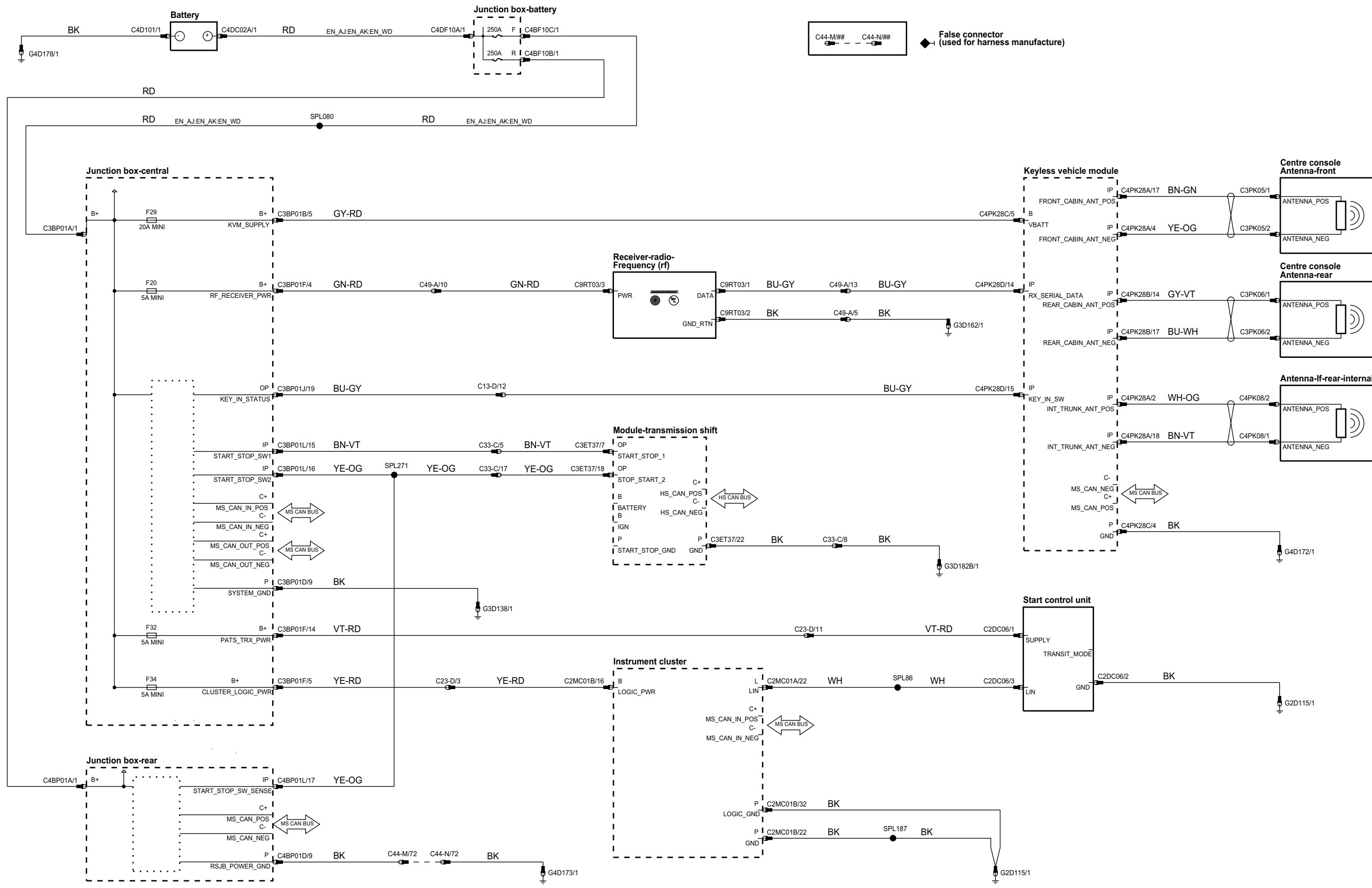
ph8r83-70395-b-af



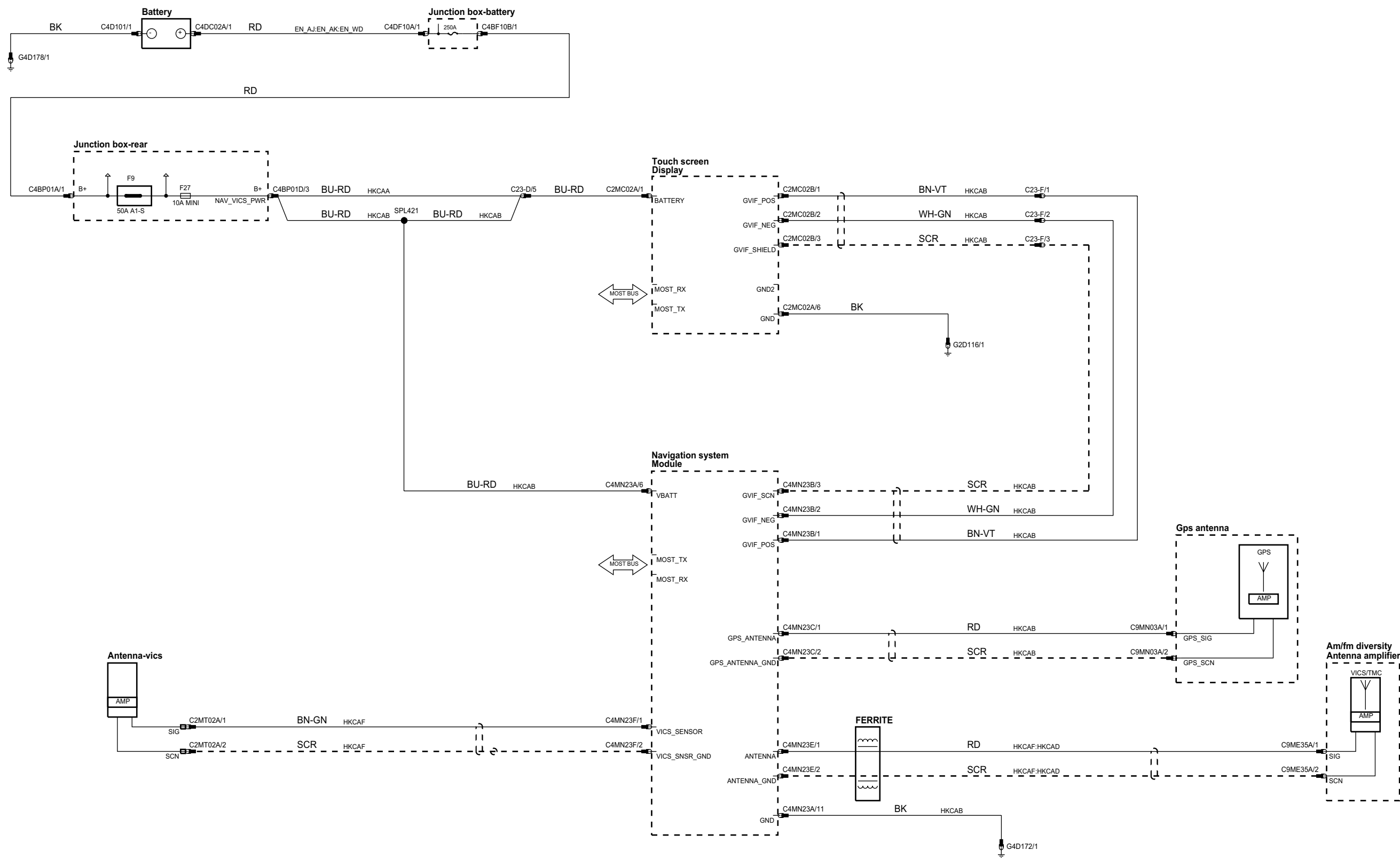
ph8/83-70395-c-af



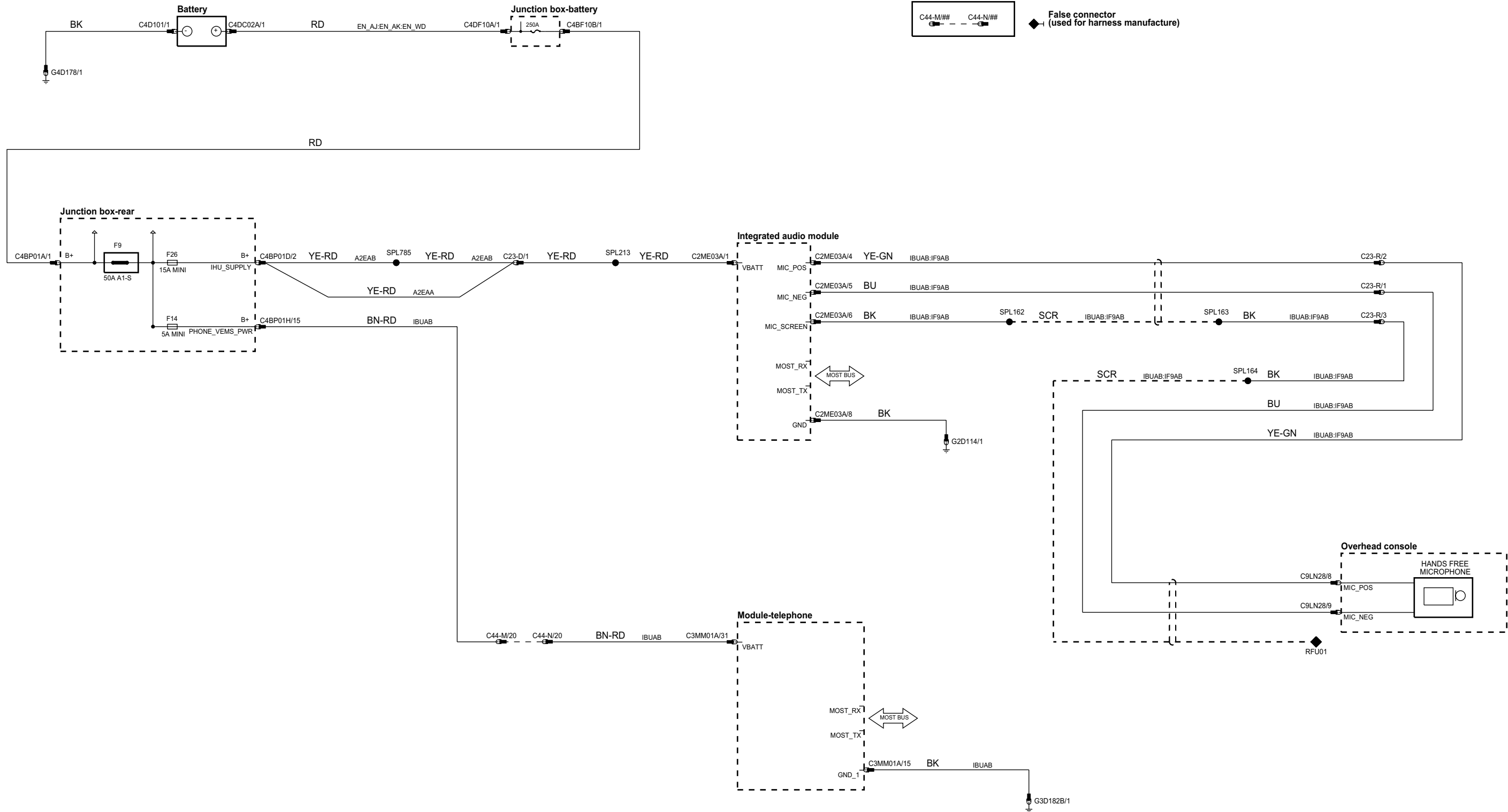
ph883-70410-a-af



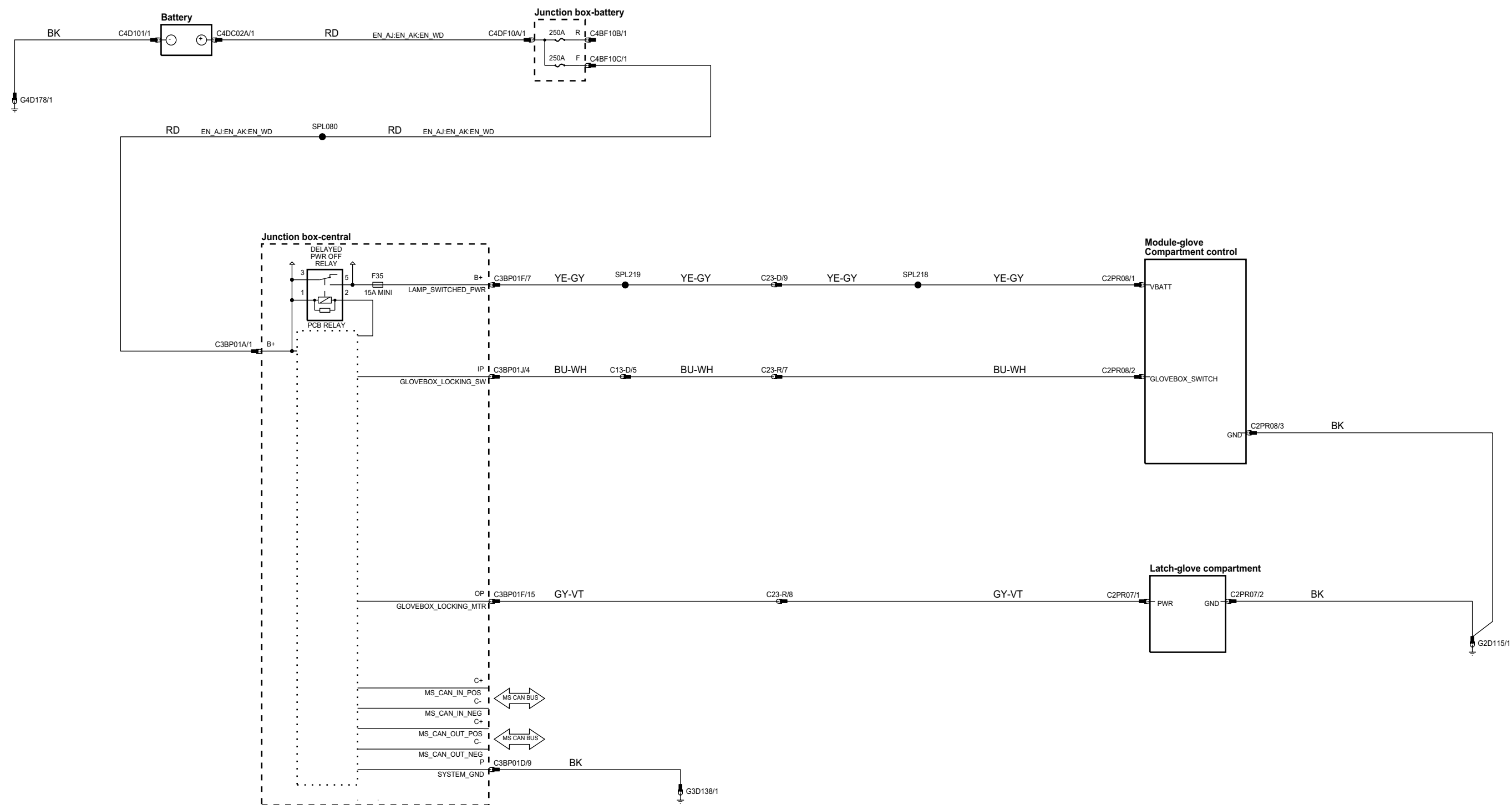
1863-70477-a-af



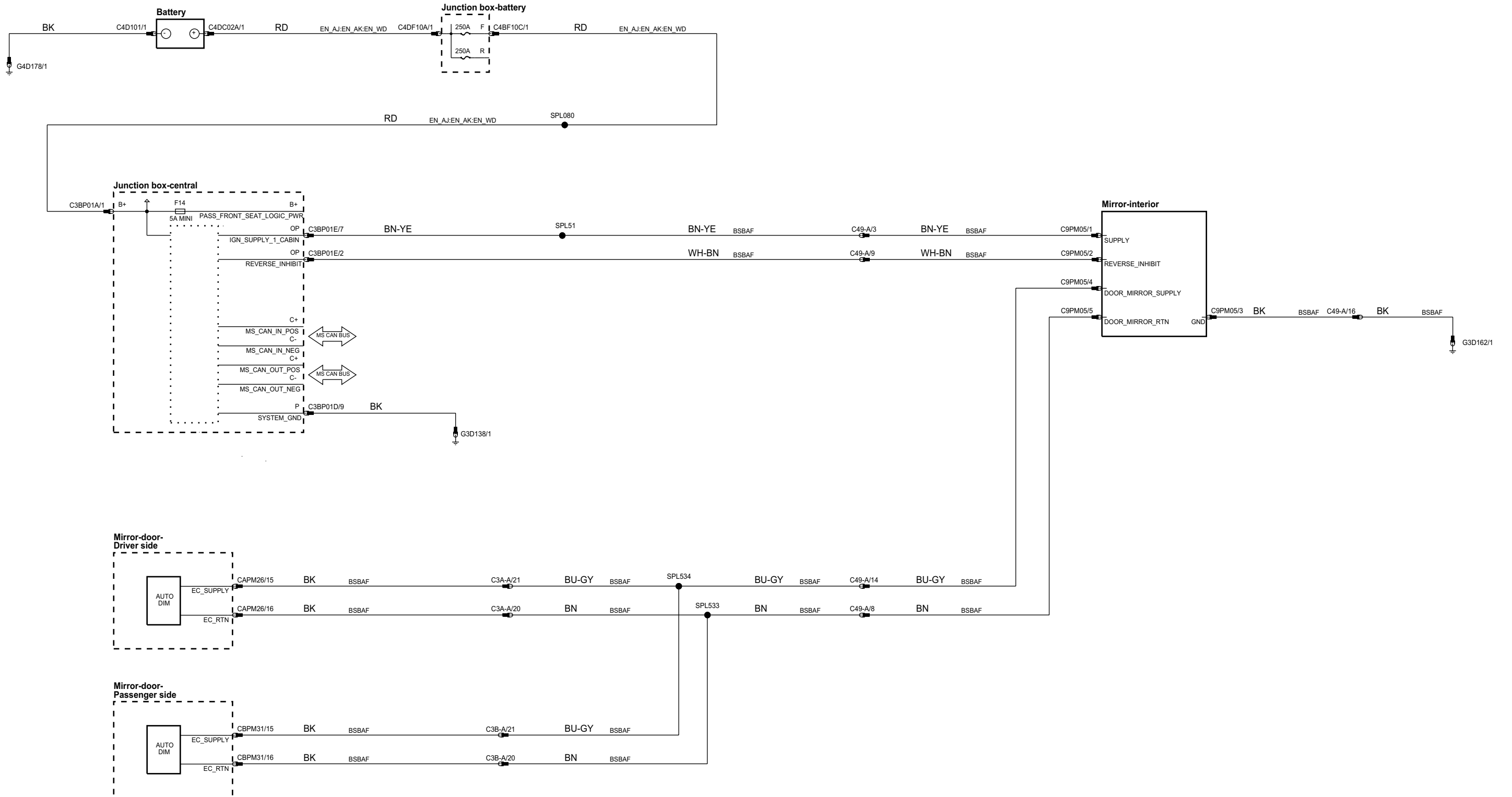
ph883-70460-a-af



ph8/83-70101-b-af

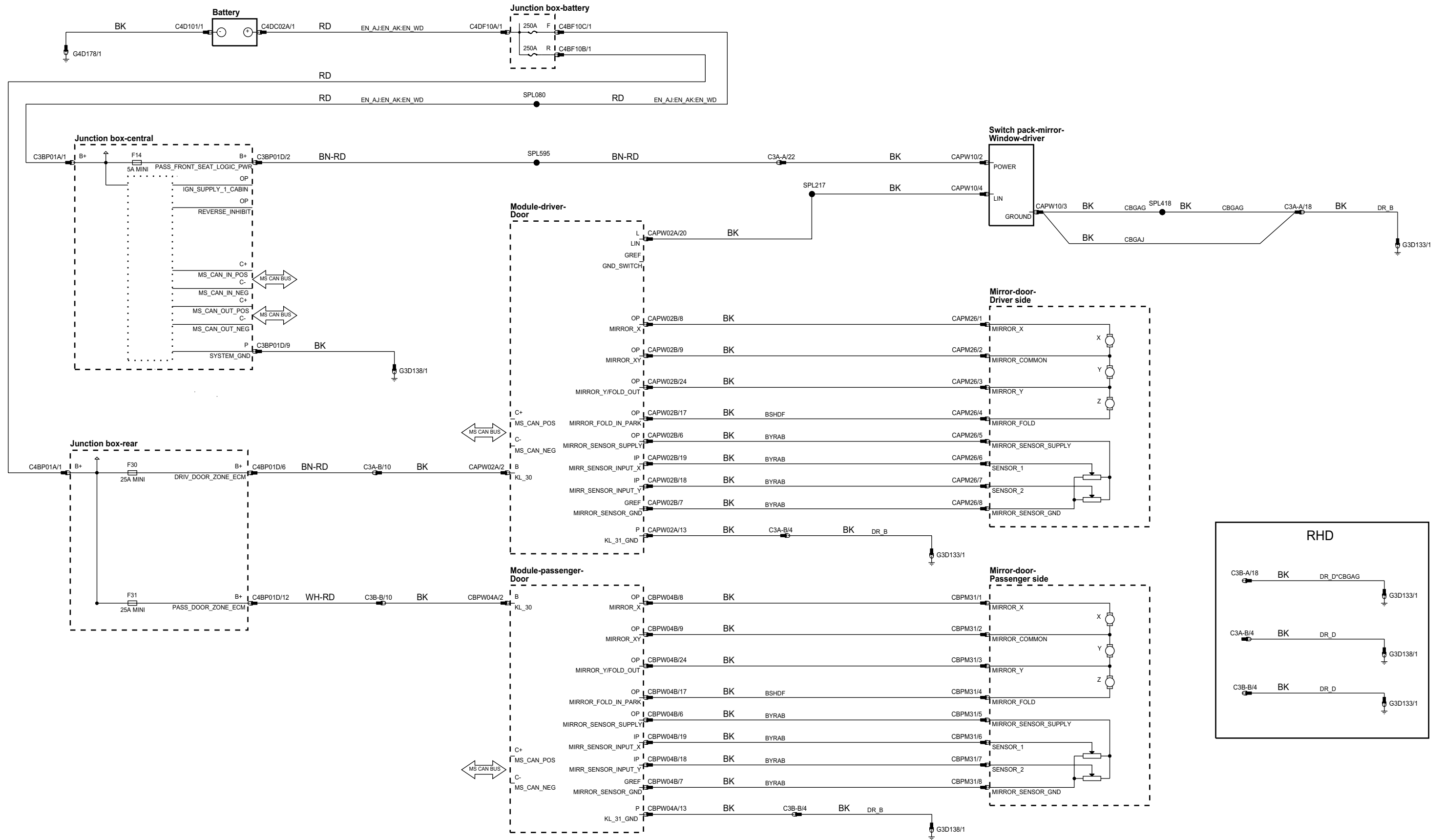


ph883-70331-a-af

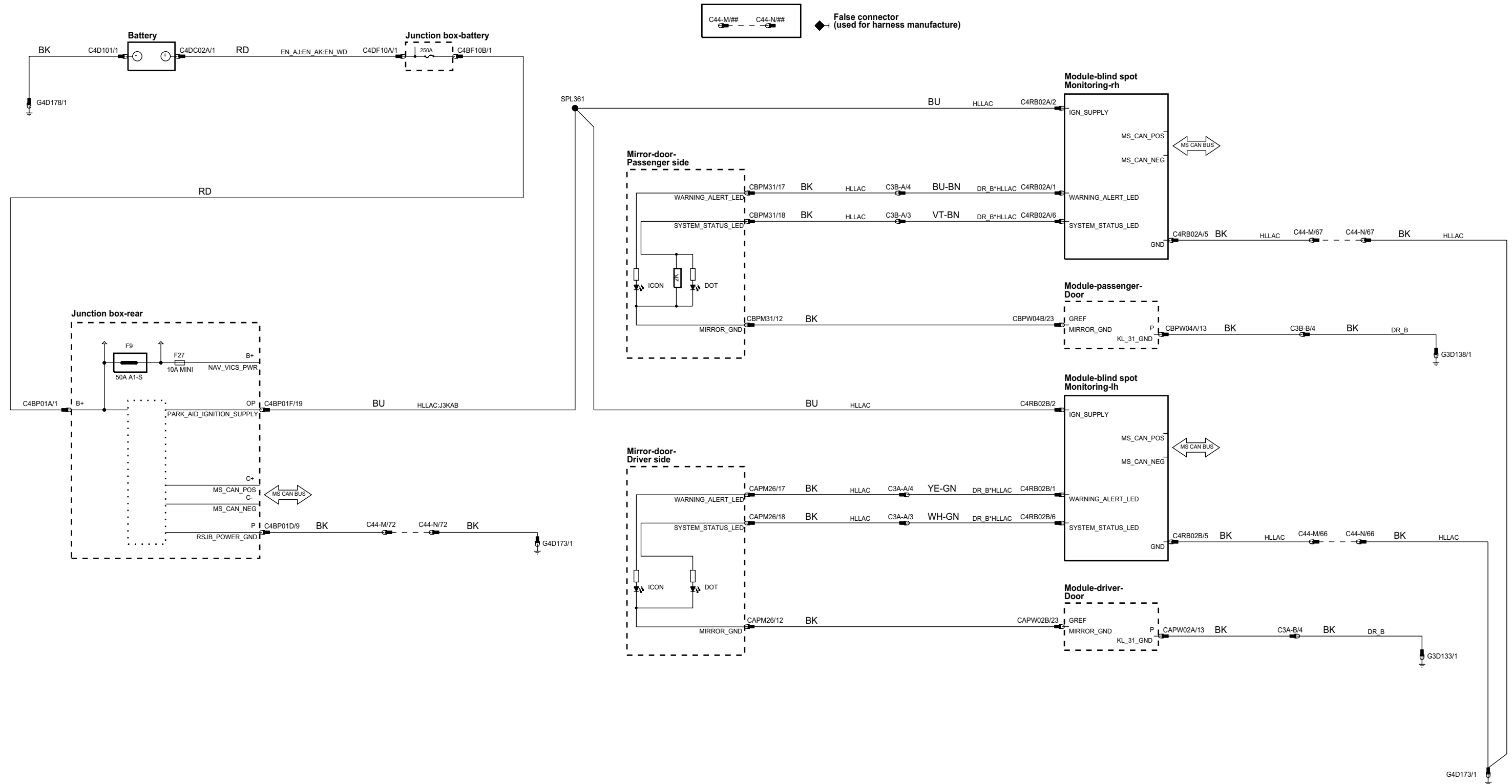




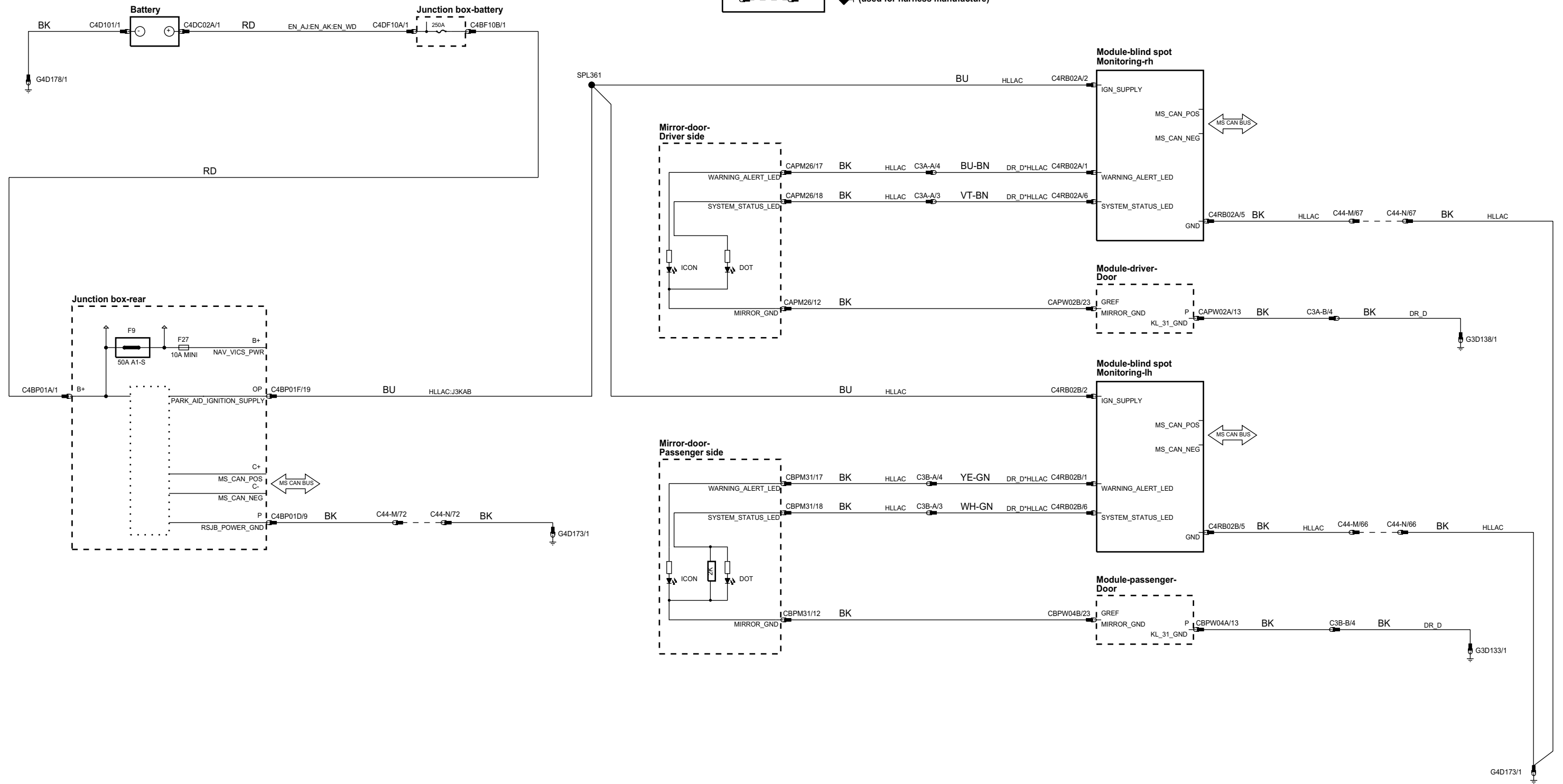
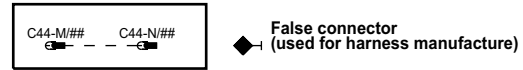
ph8r83-70333-a-af



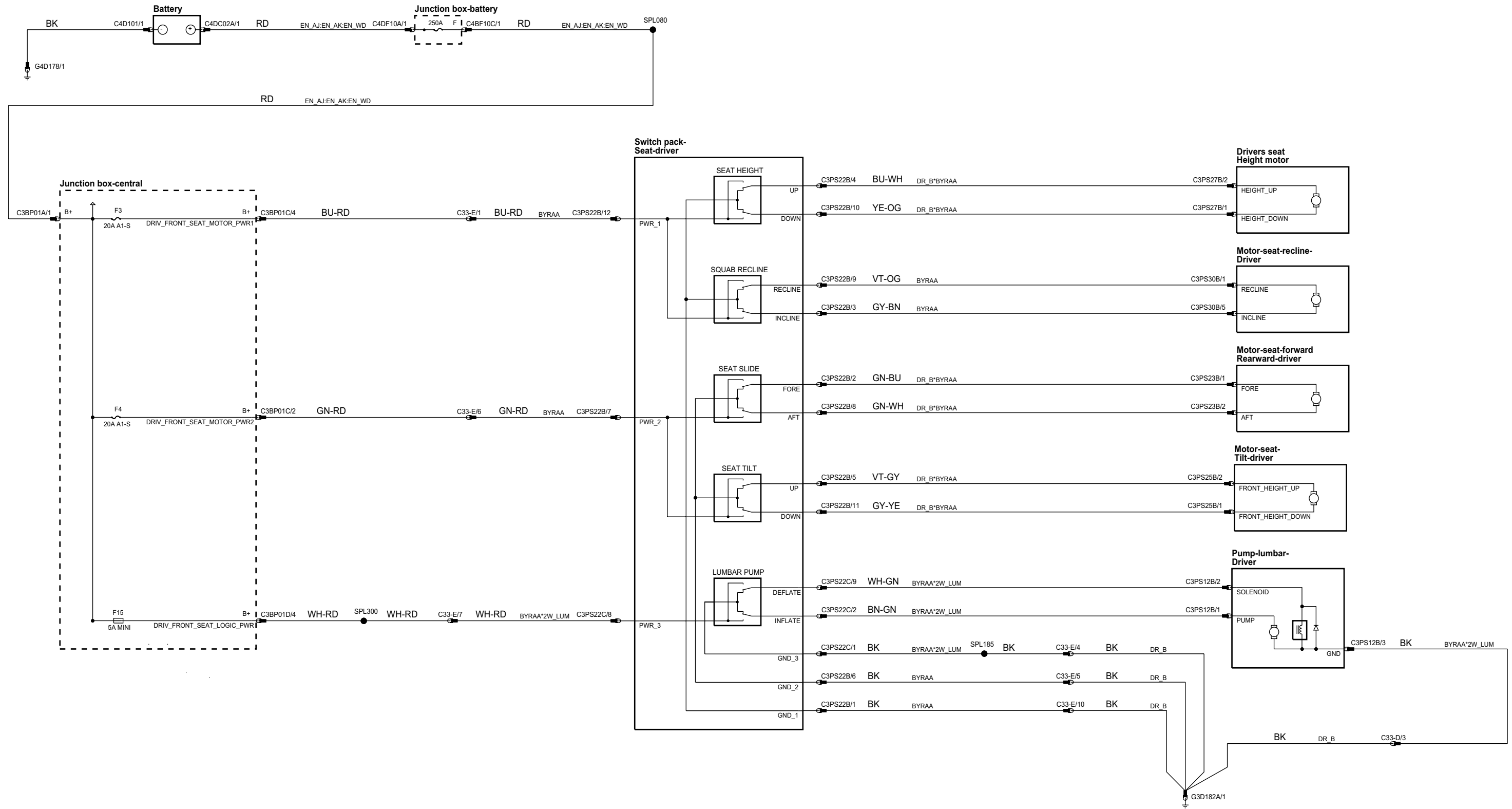
ph8r83-70483-a-af



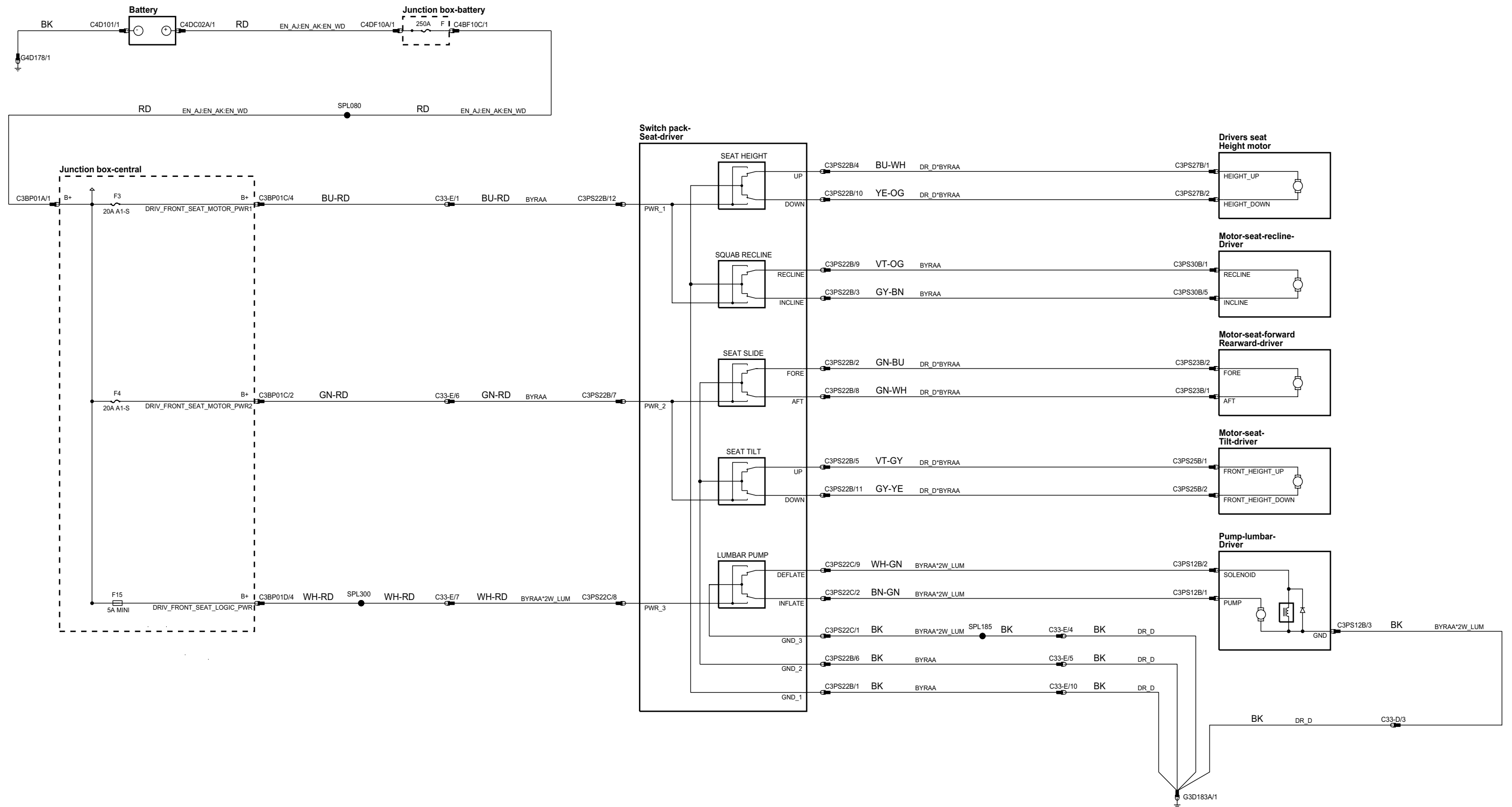
ph8/83-70483-b-af



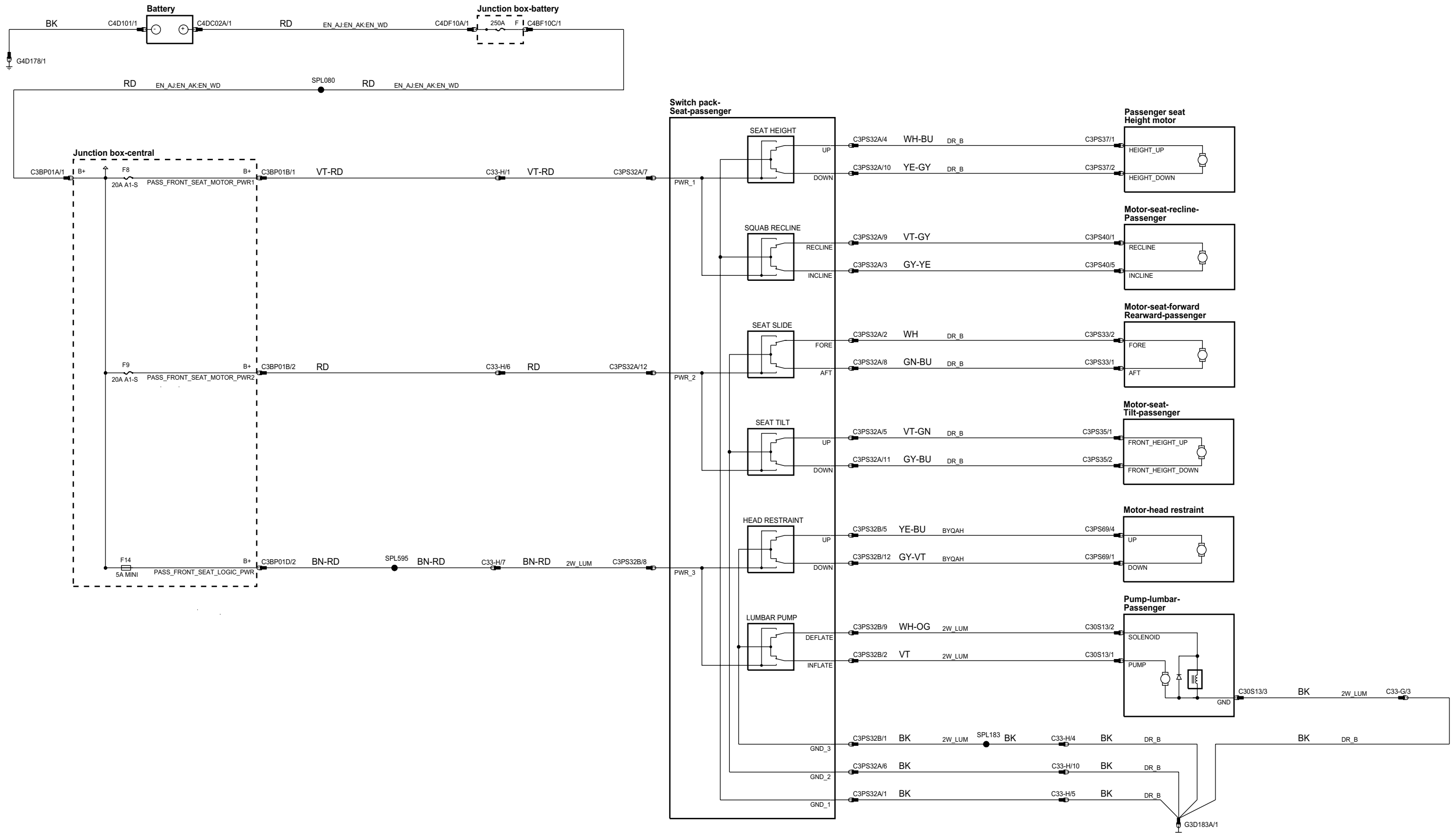
ph883-70340-a-af



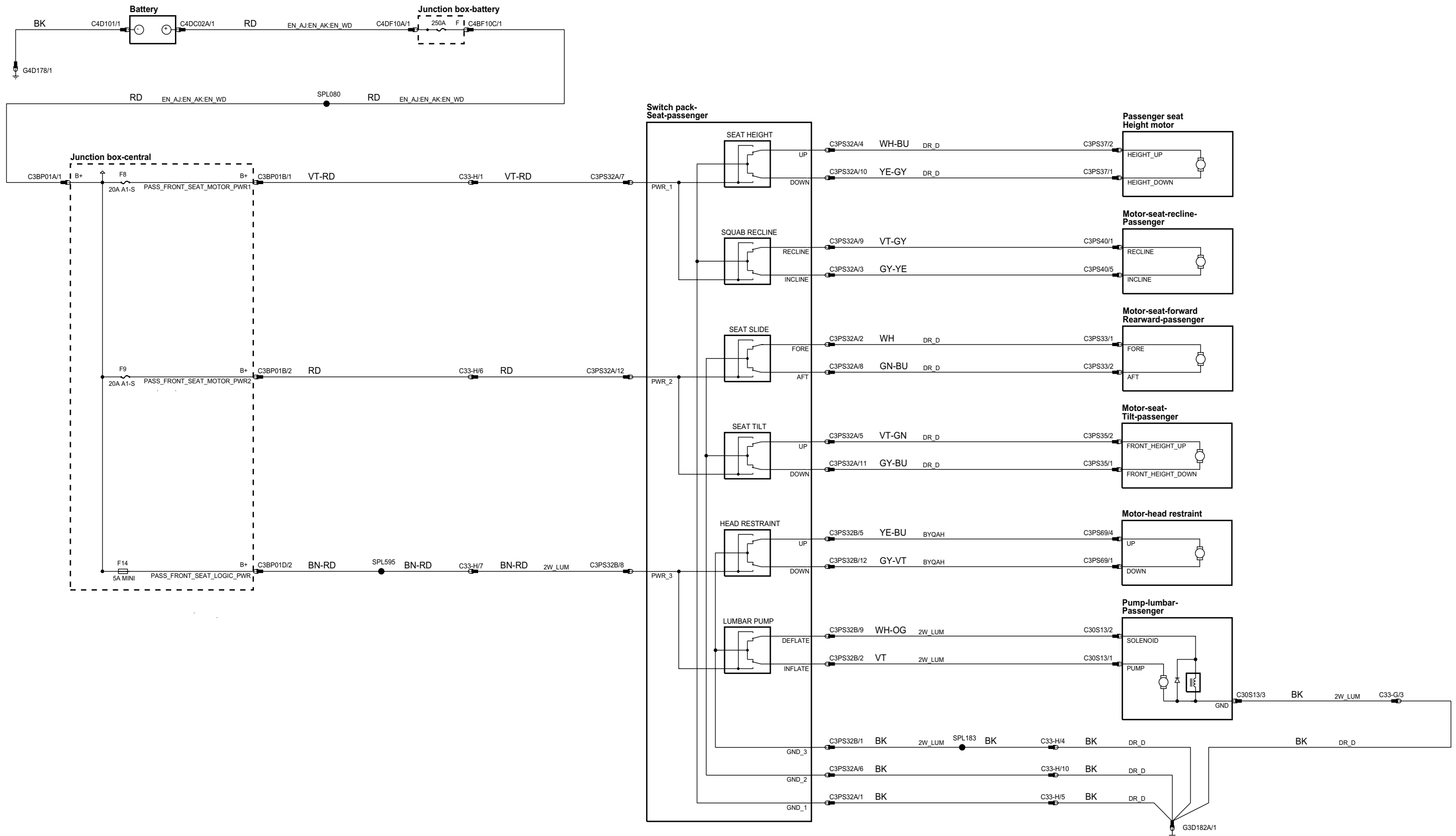
ph8/83-70340-b-af



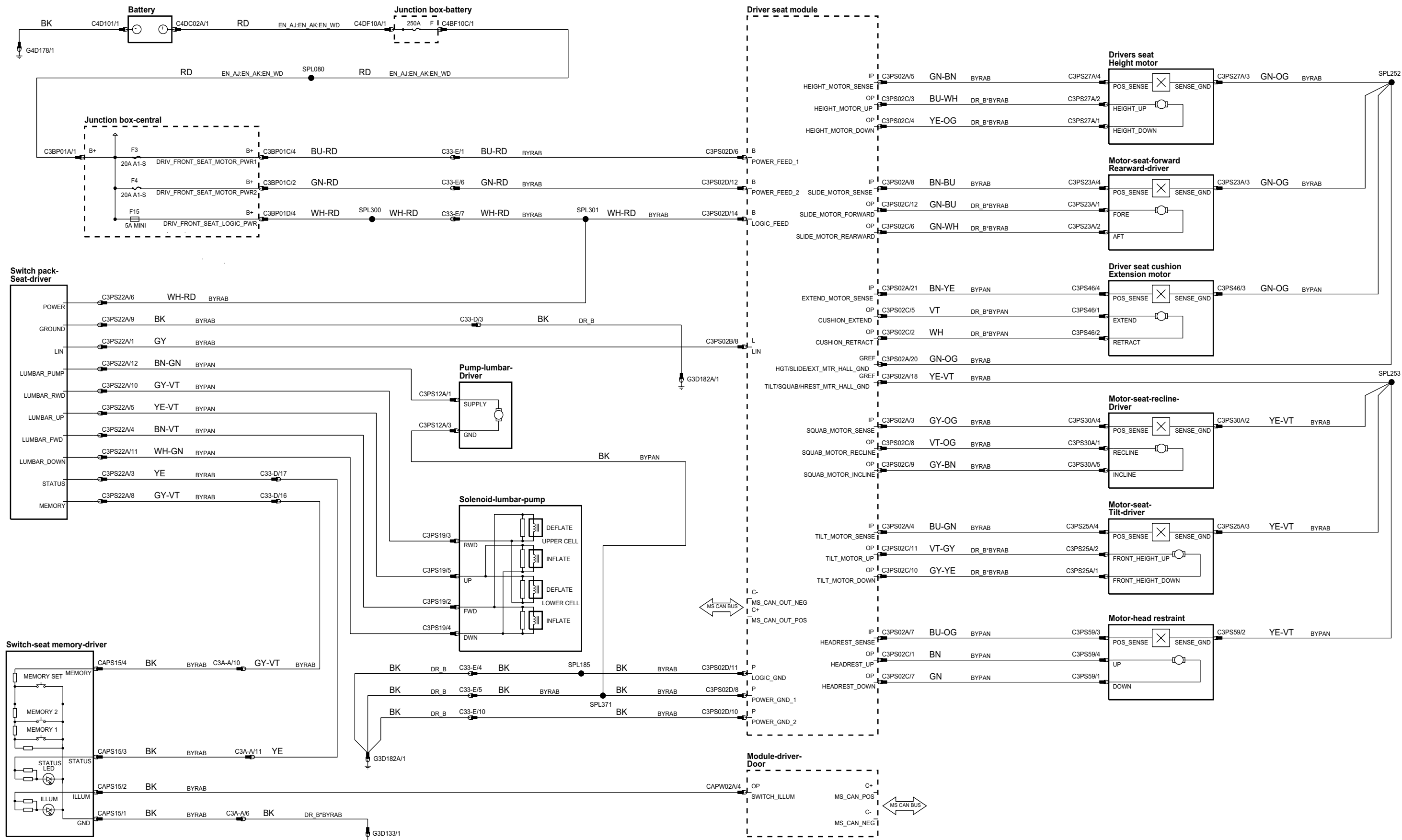
ph883-70343-a-af



ph8/83-70343-b-af

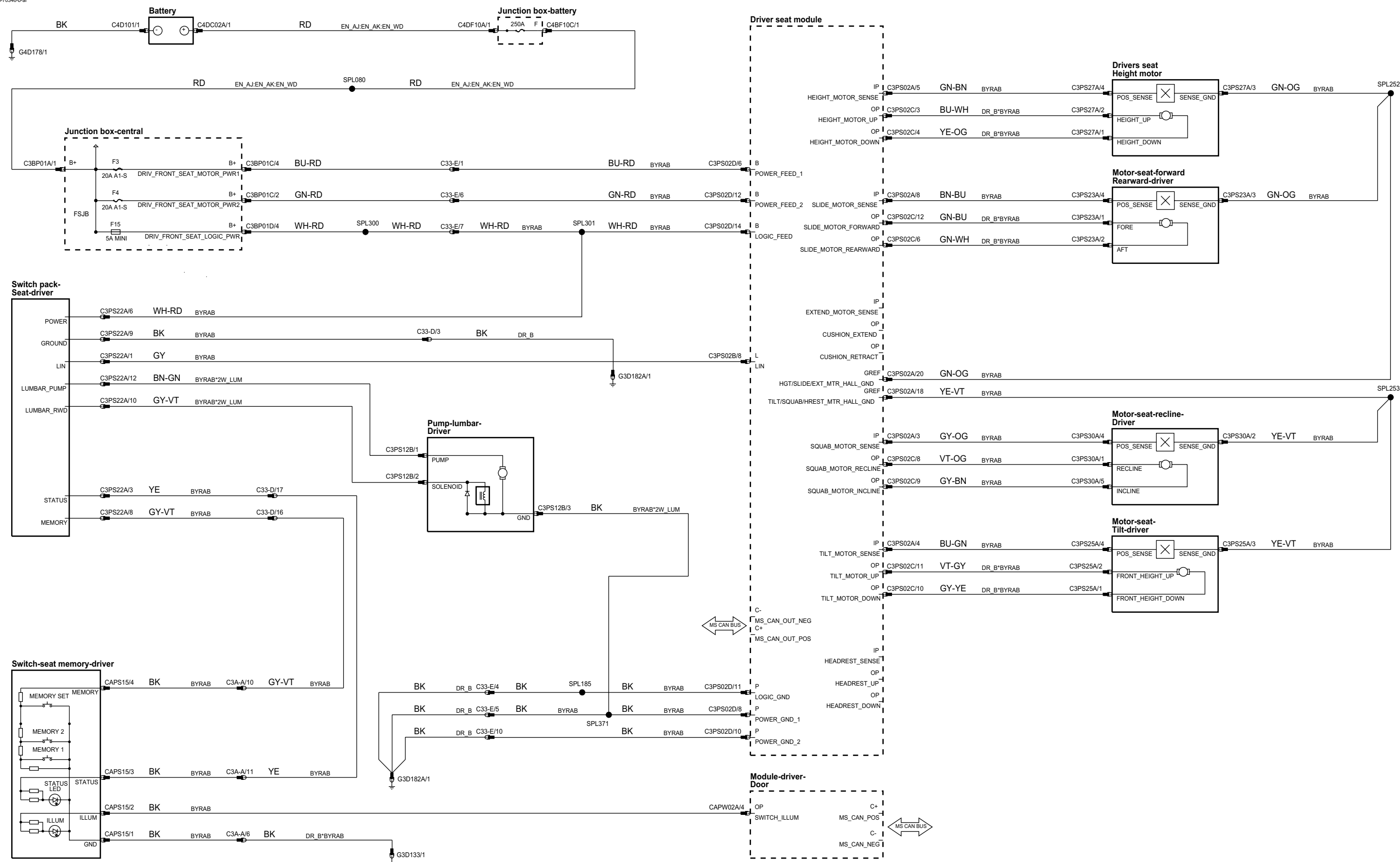


ph883-70346-a-af

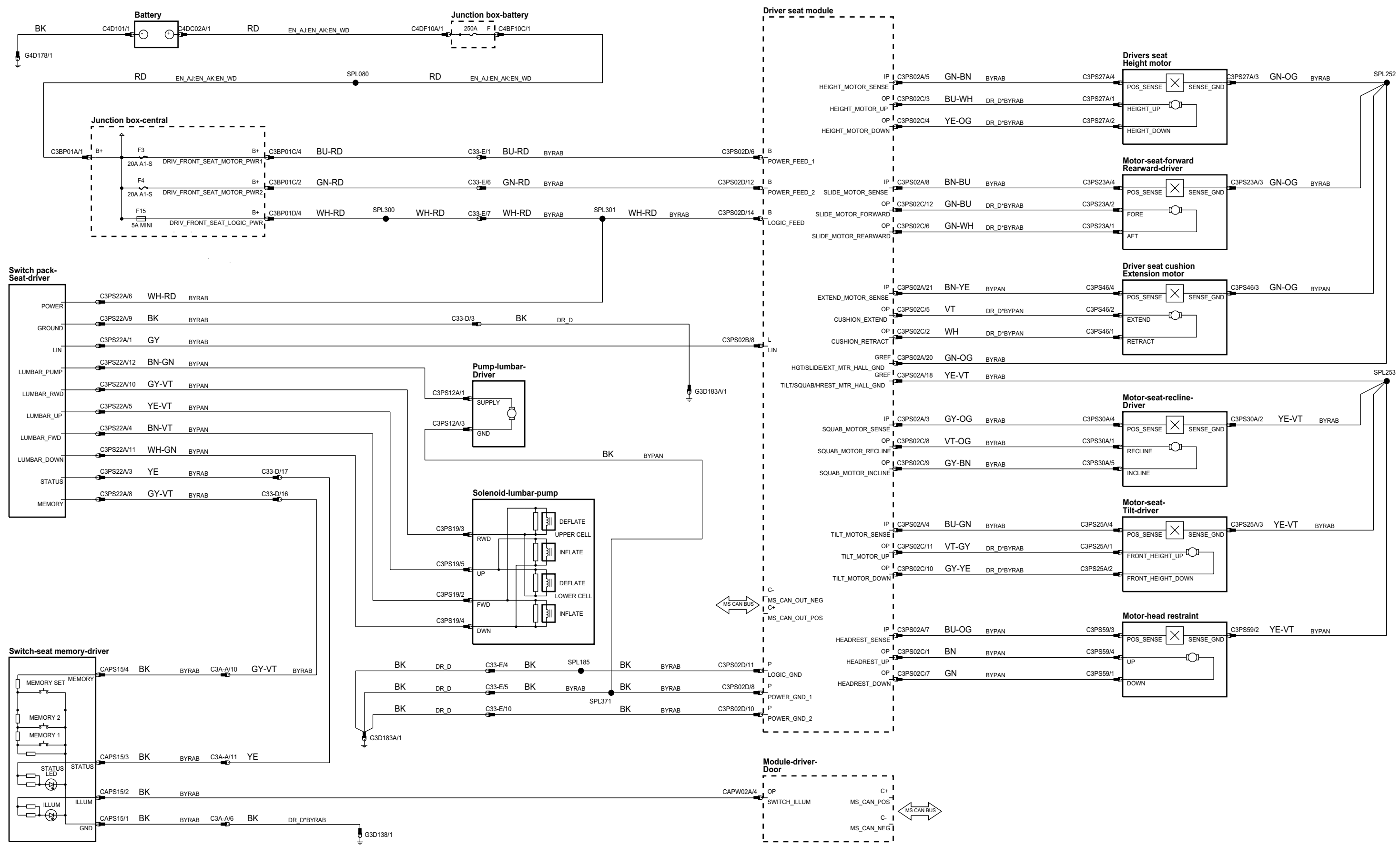




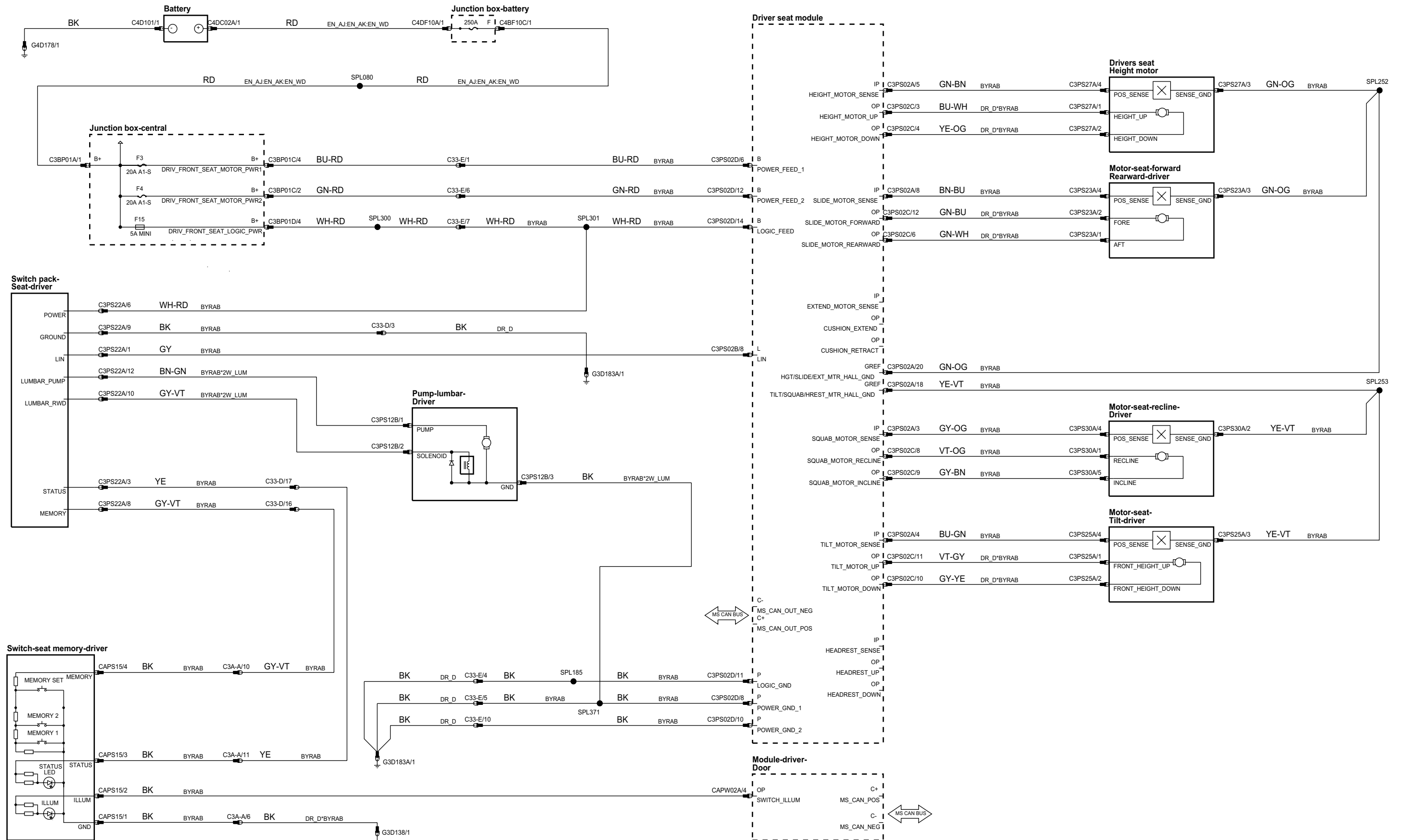
ph8r83-70346-b-af



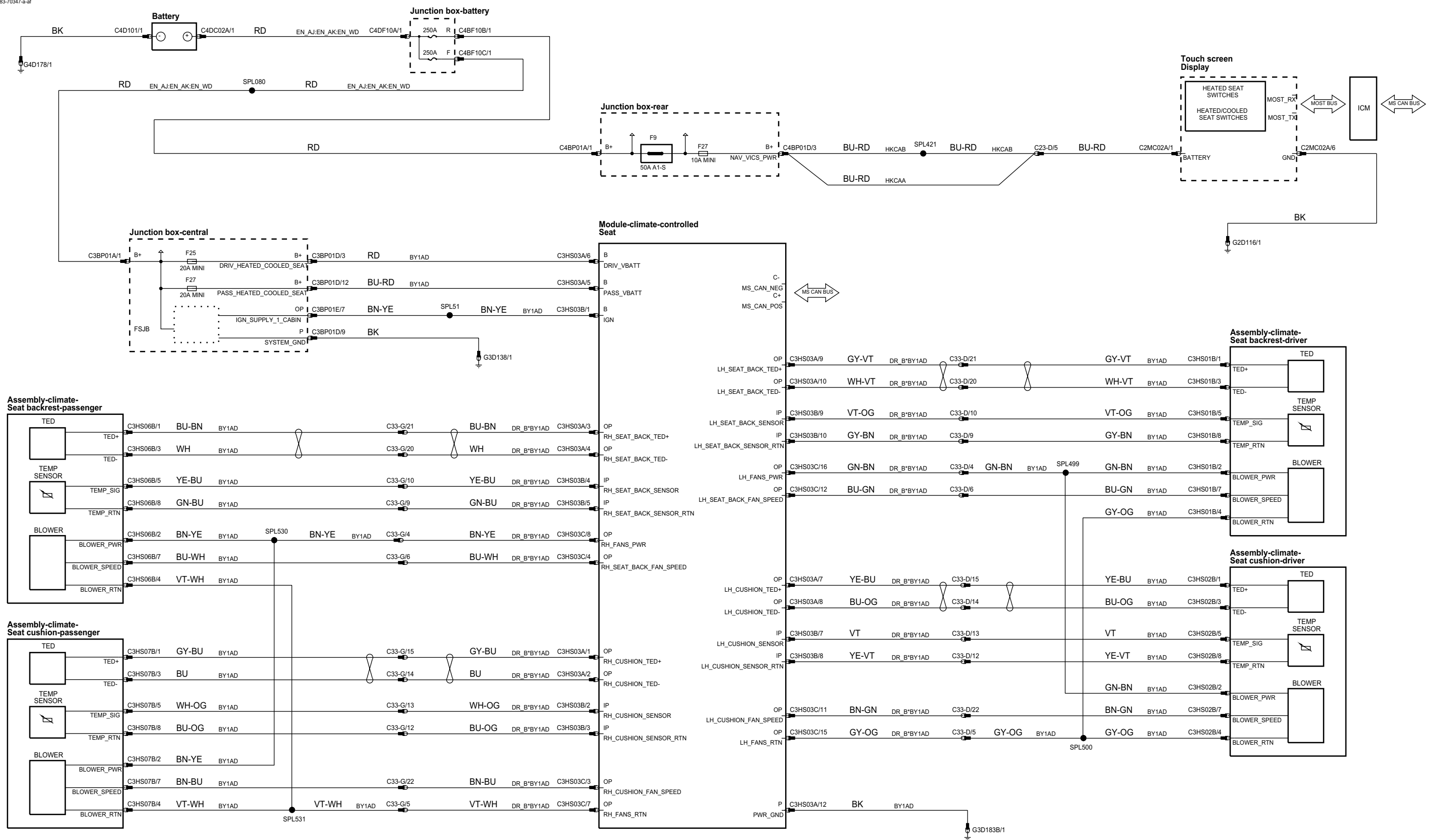
ph883-70346-c-af



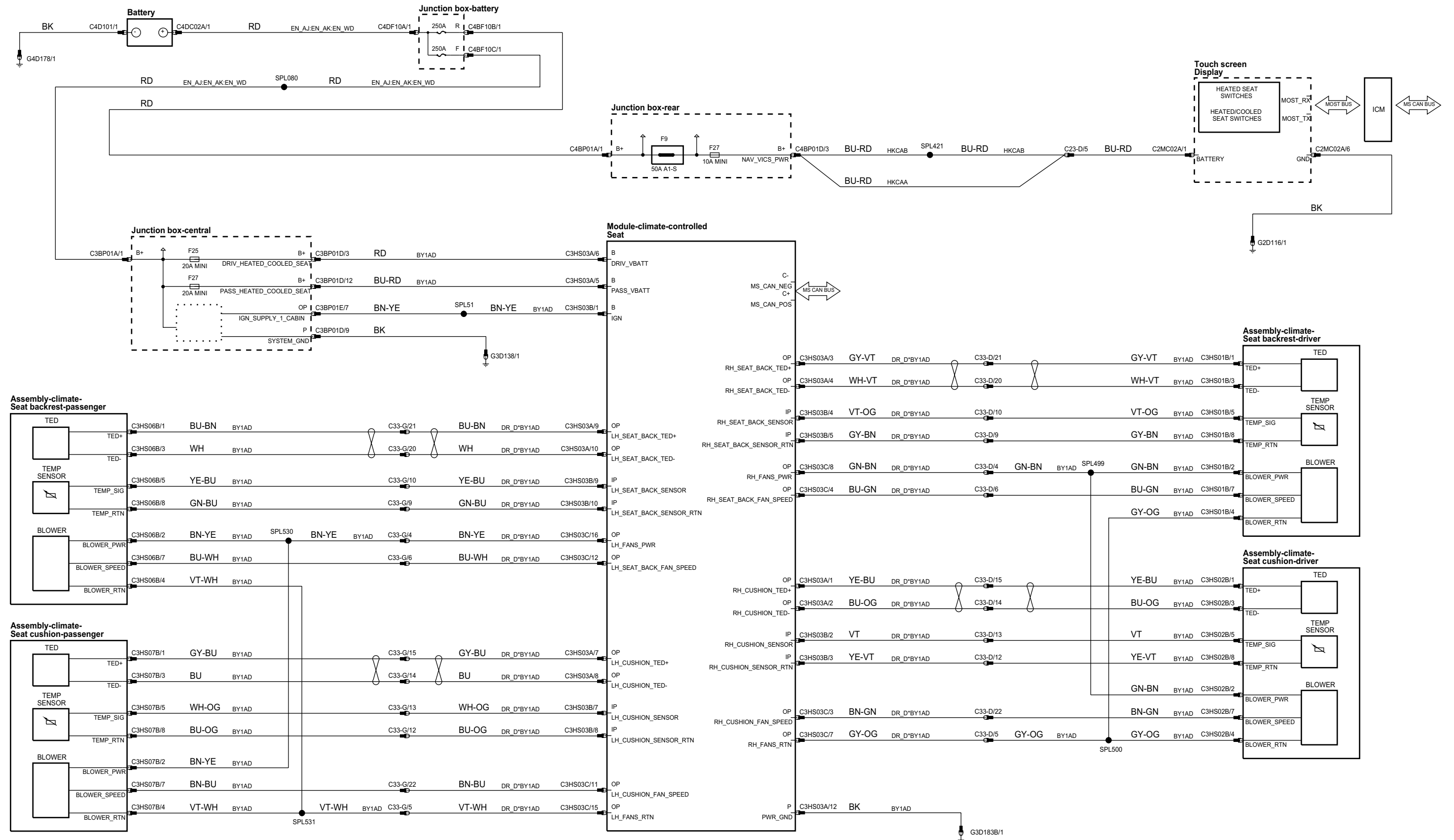
ph8r83-70346-d-af



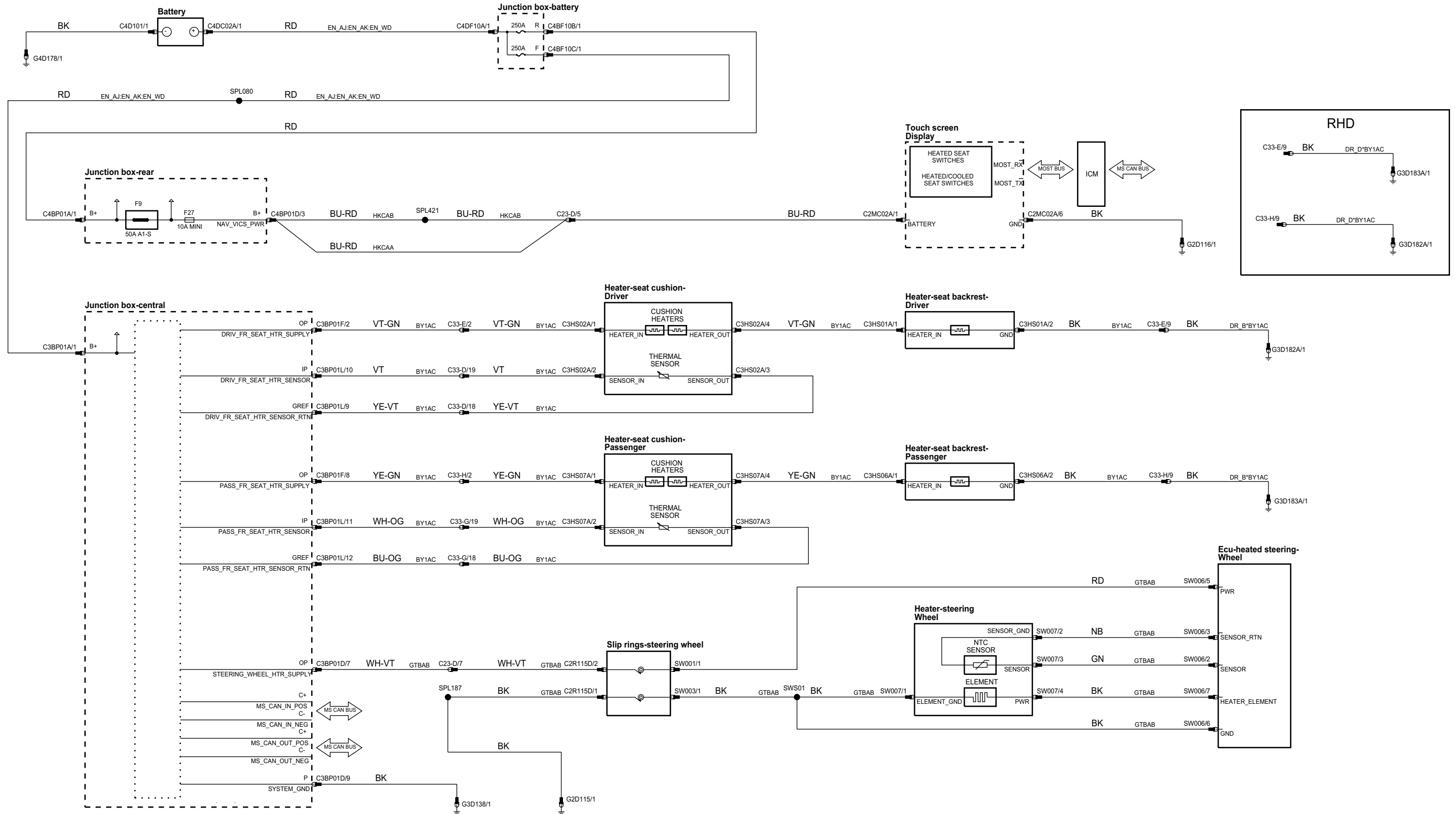
ph8r83-70347-a-af



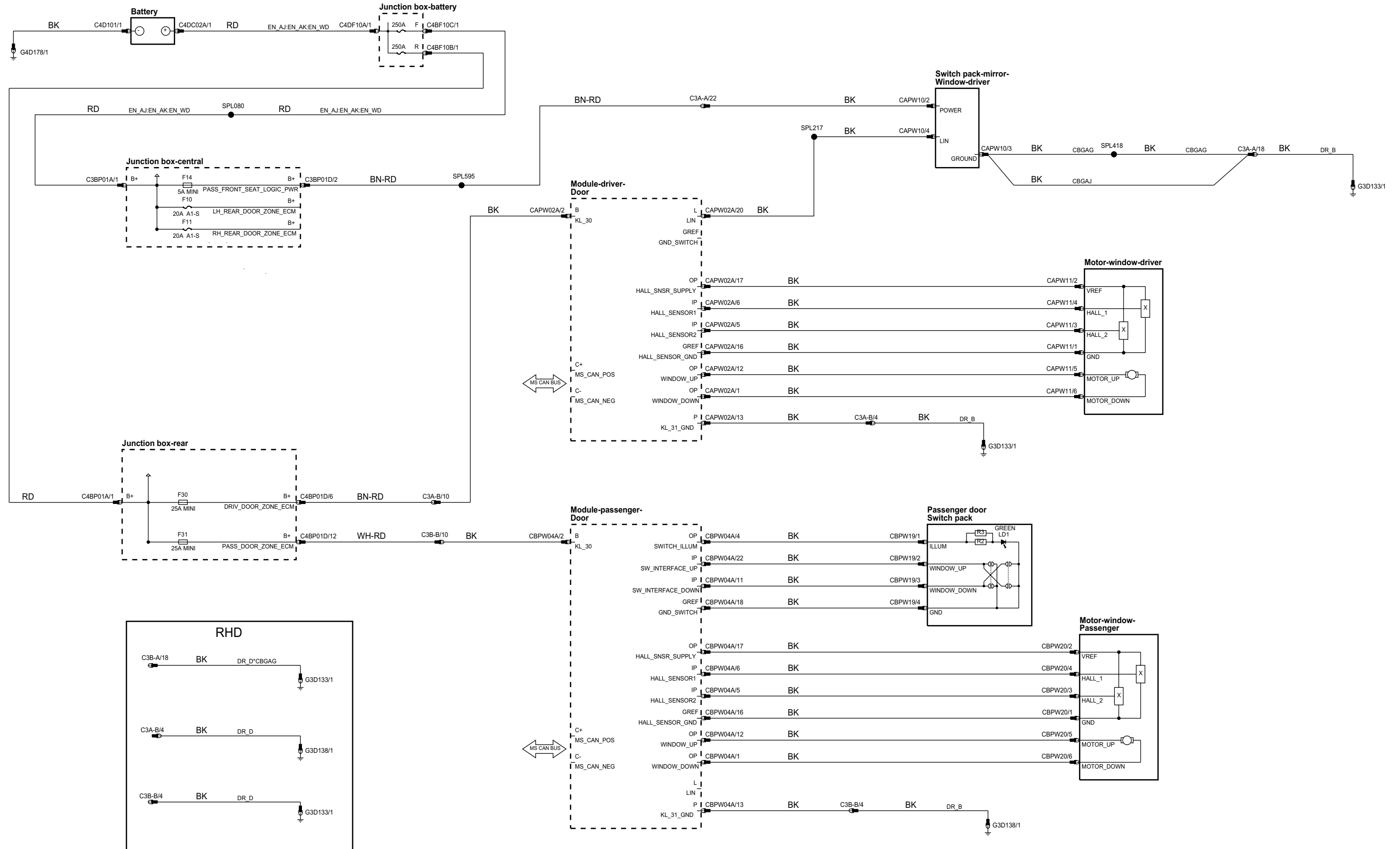
pn093- /U34 / 0-01



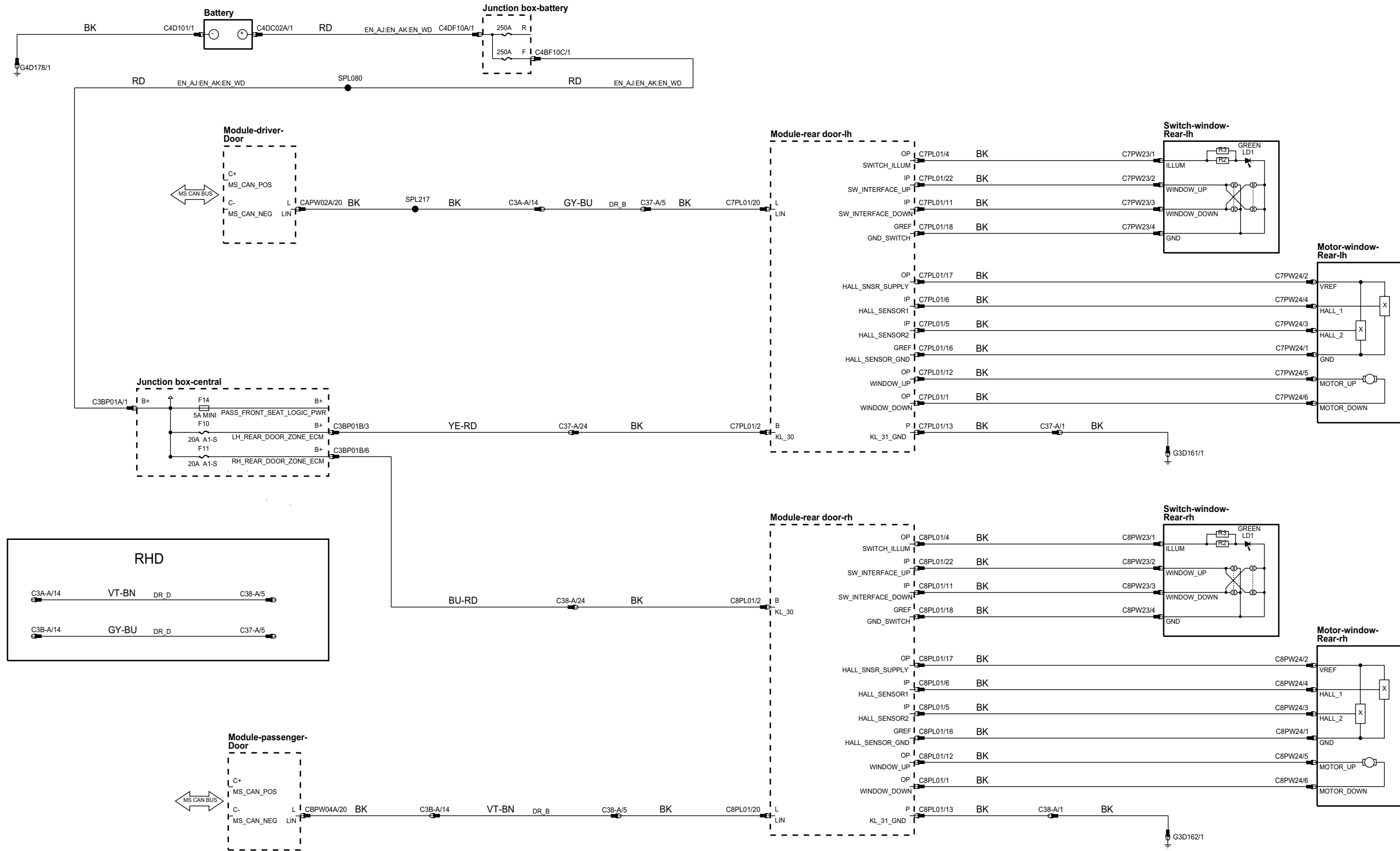
ph883-70347-c-af



ph8/83-70316-a-af

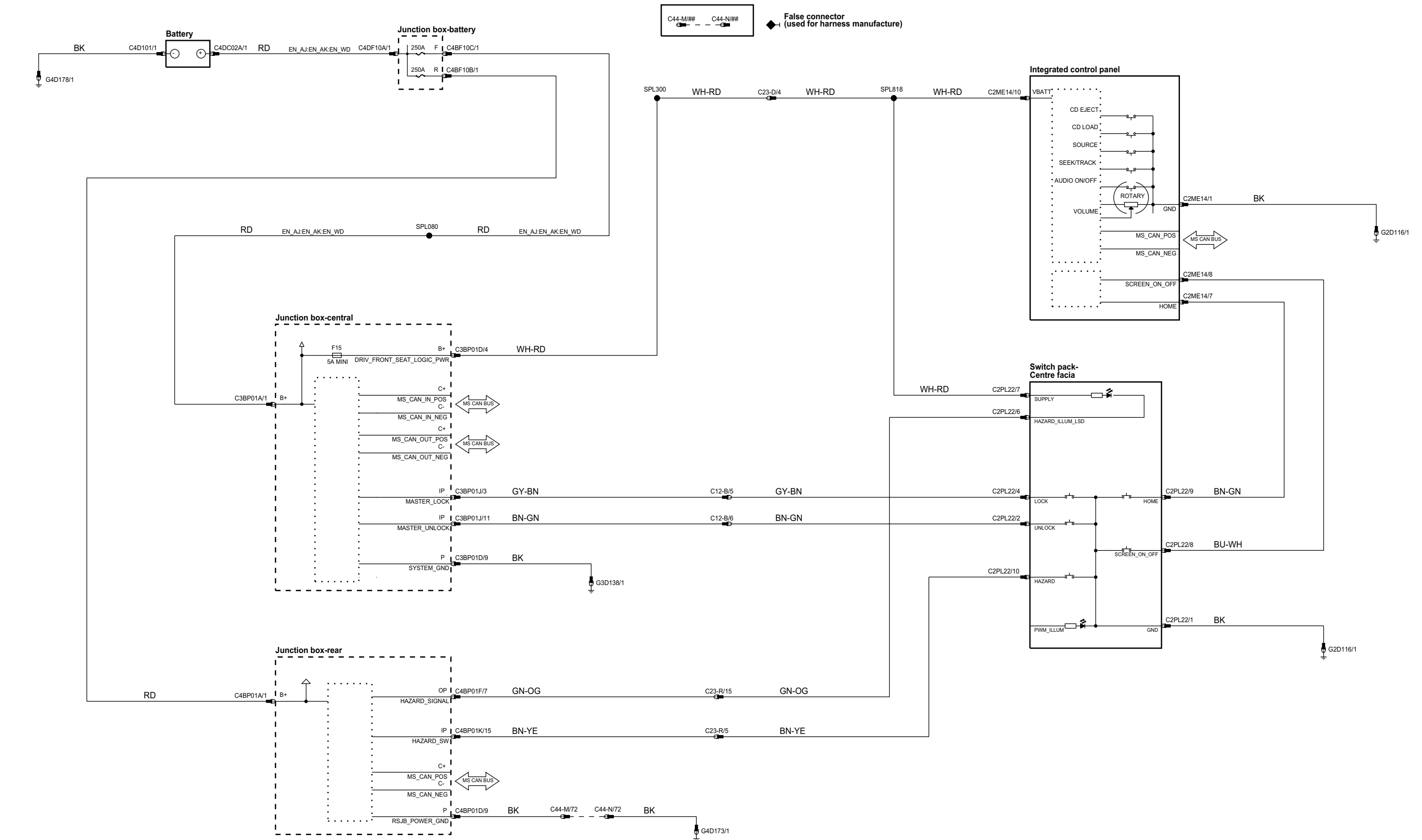


ph883-70316-b-af

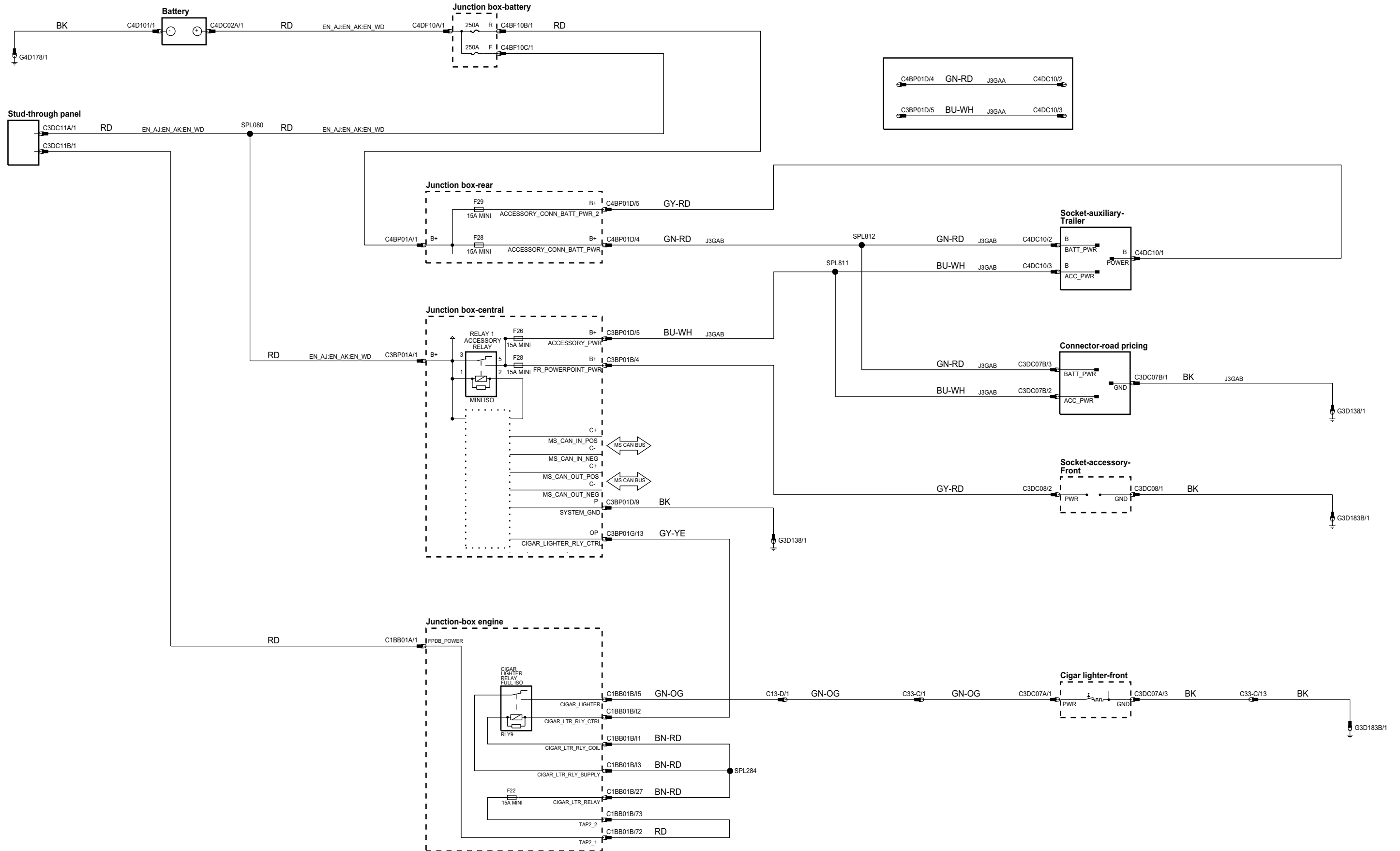




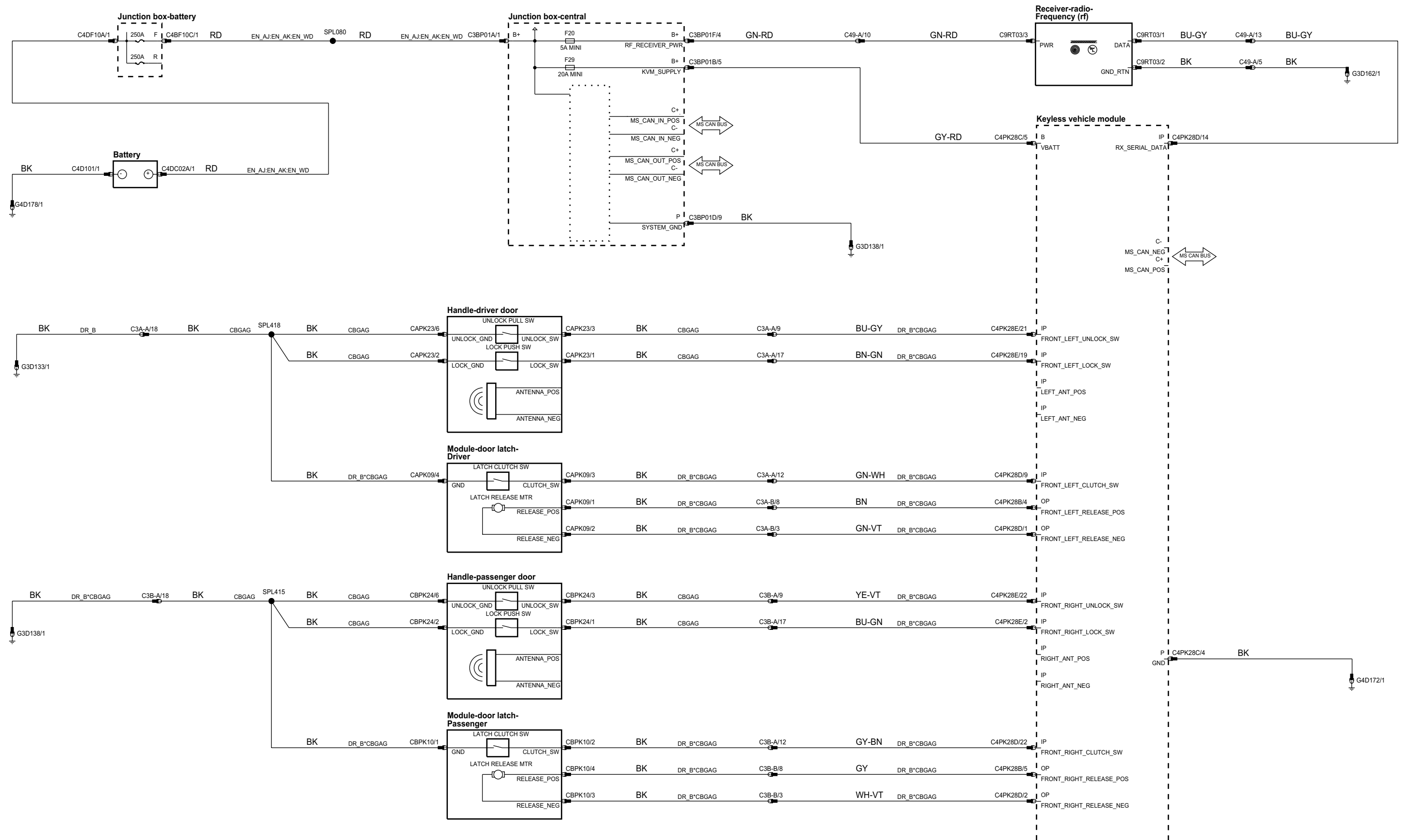
ph8r83-70210-c-af



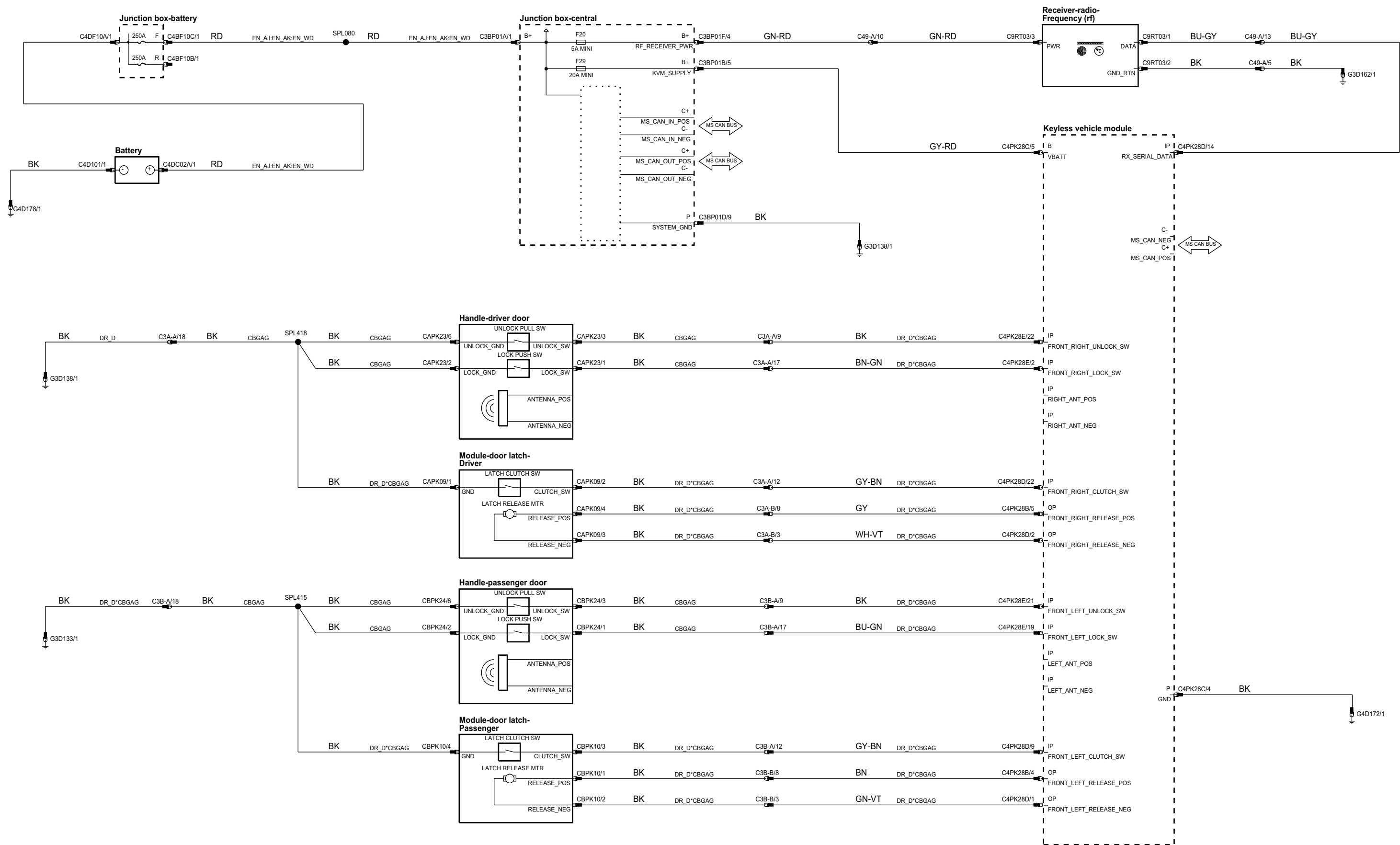
ph883-70365-a-af



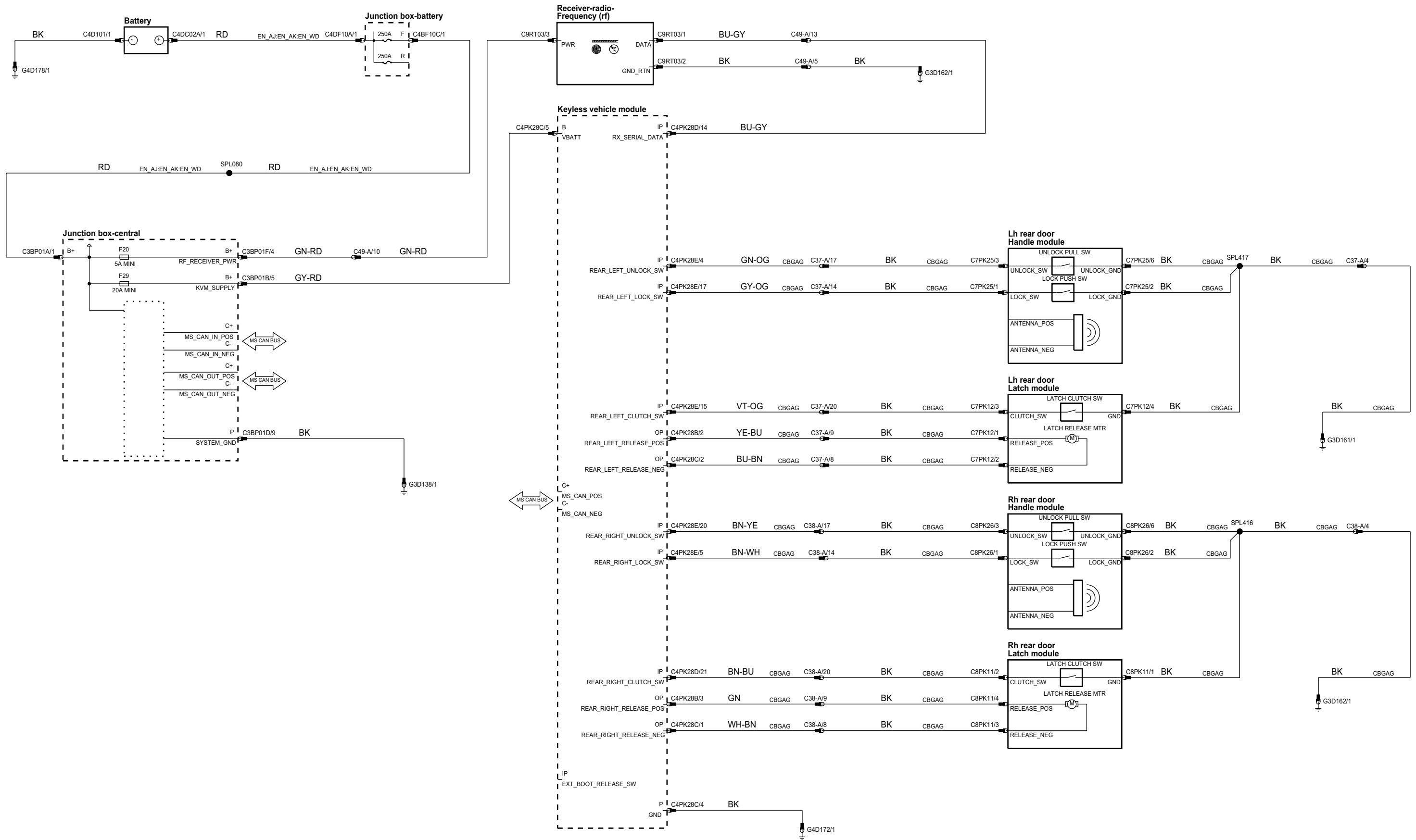
ph8/83-70417-a-af



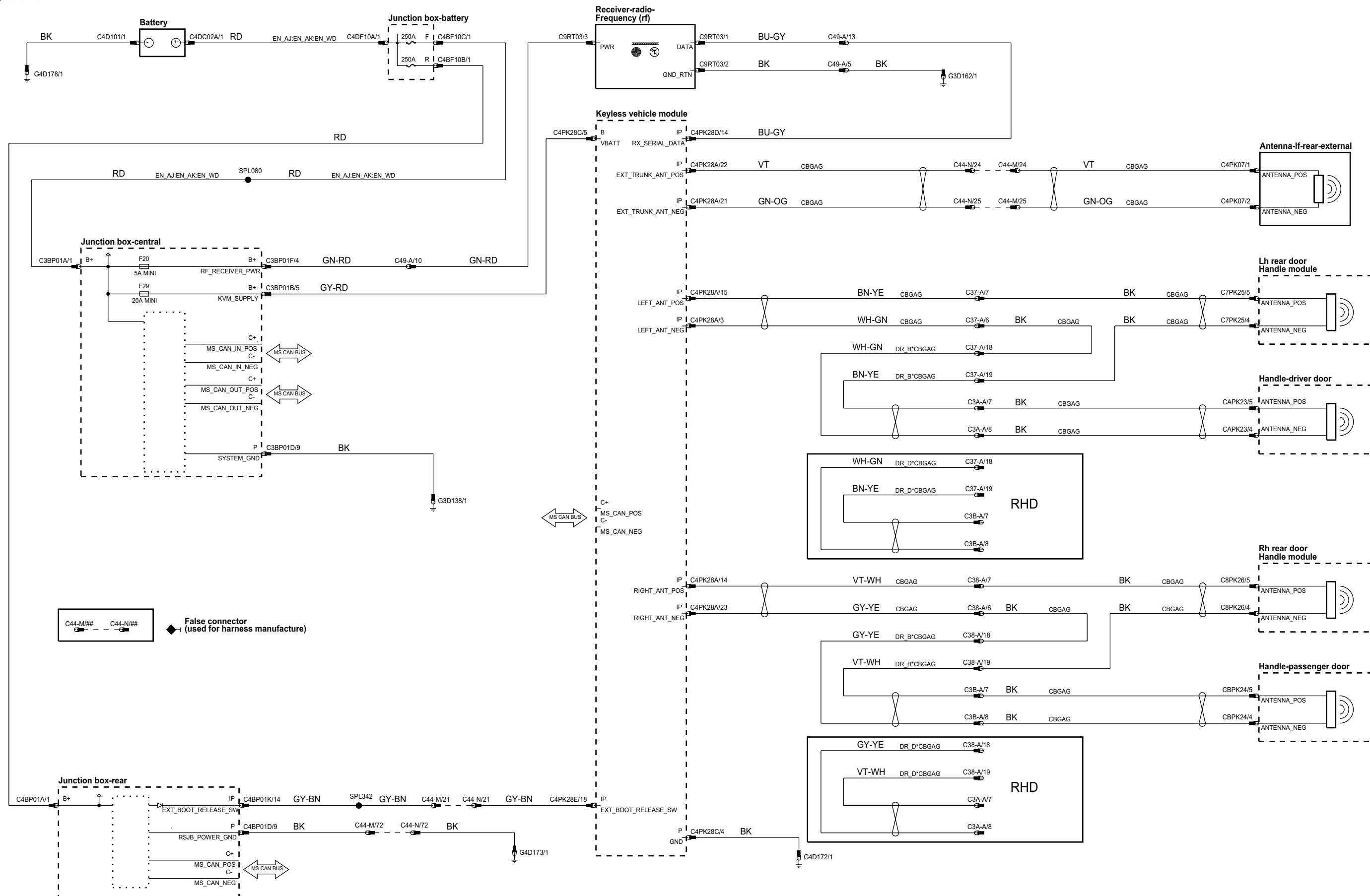
ph8r83-70417-b-af



ph8r83-70417-c-af

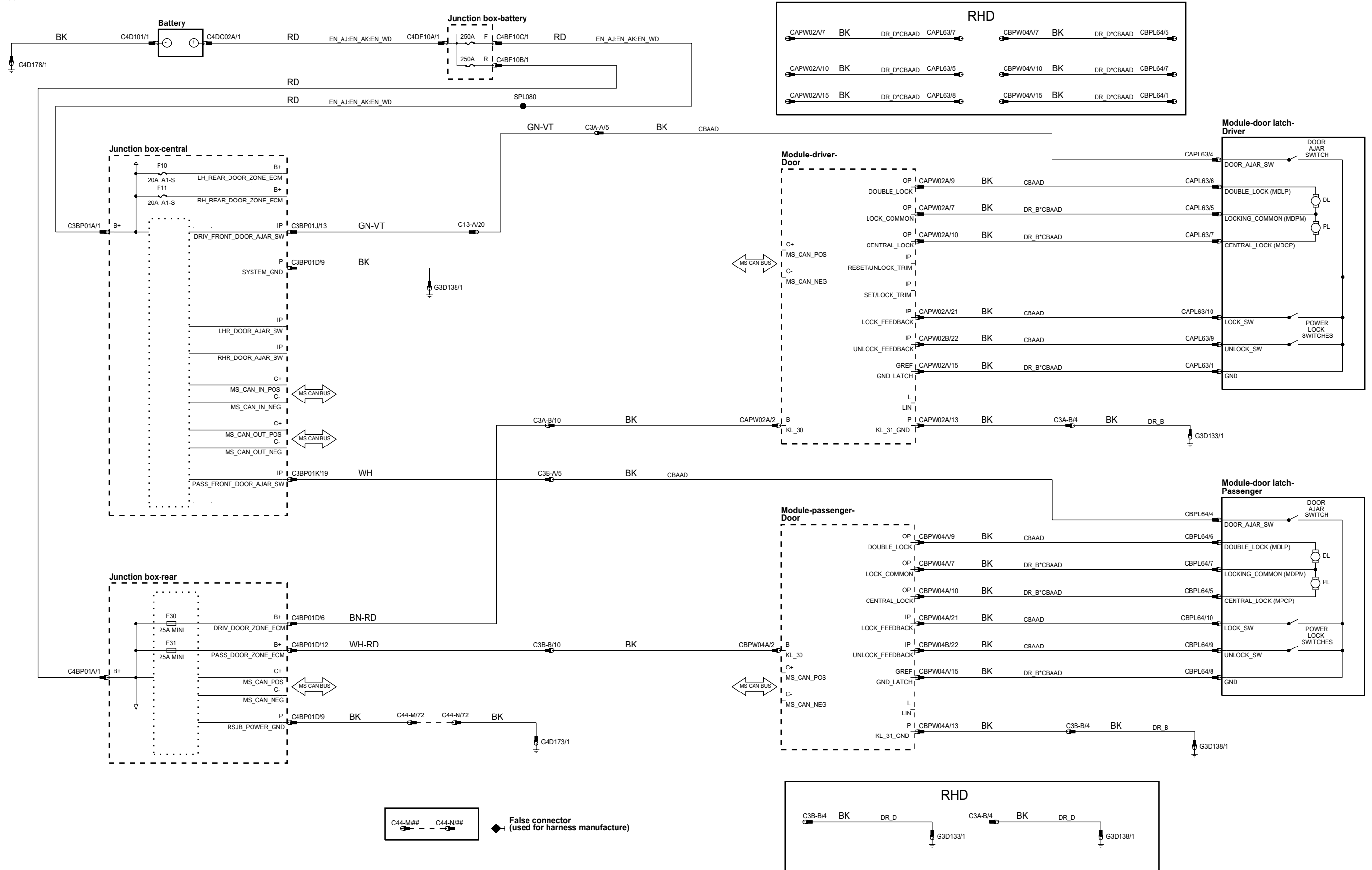


ph883-70417-d-af

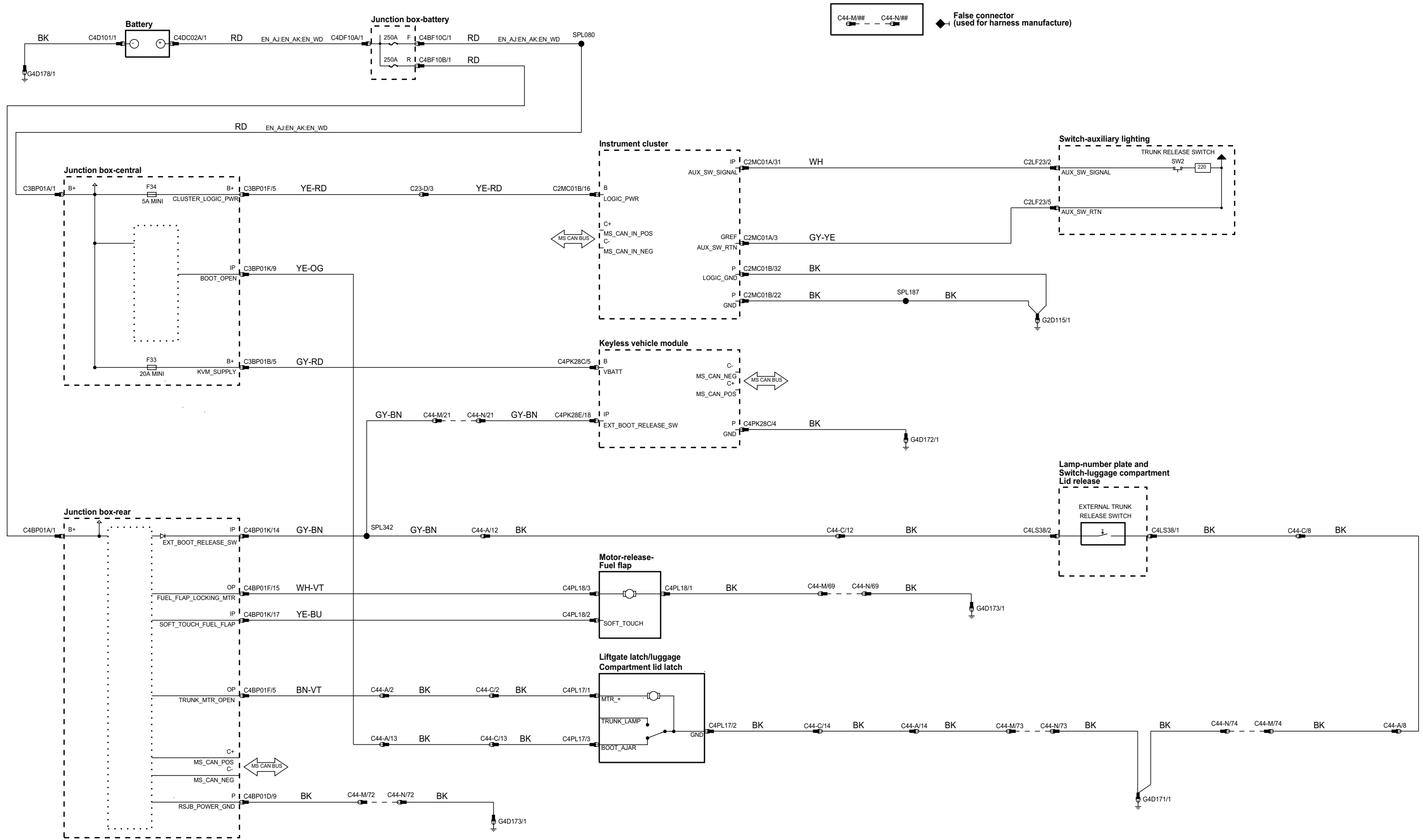


C44-M### C44-N###  
 False connector (used for harness manufacture)

ph8/83-70421-a-af

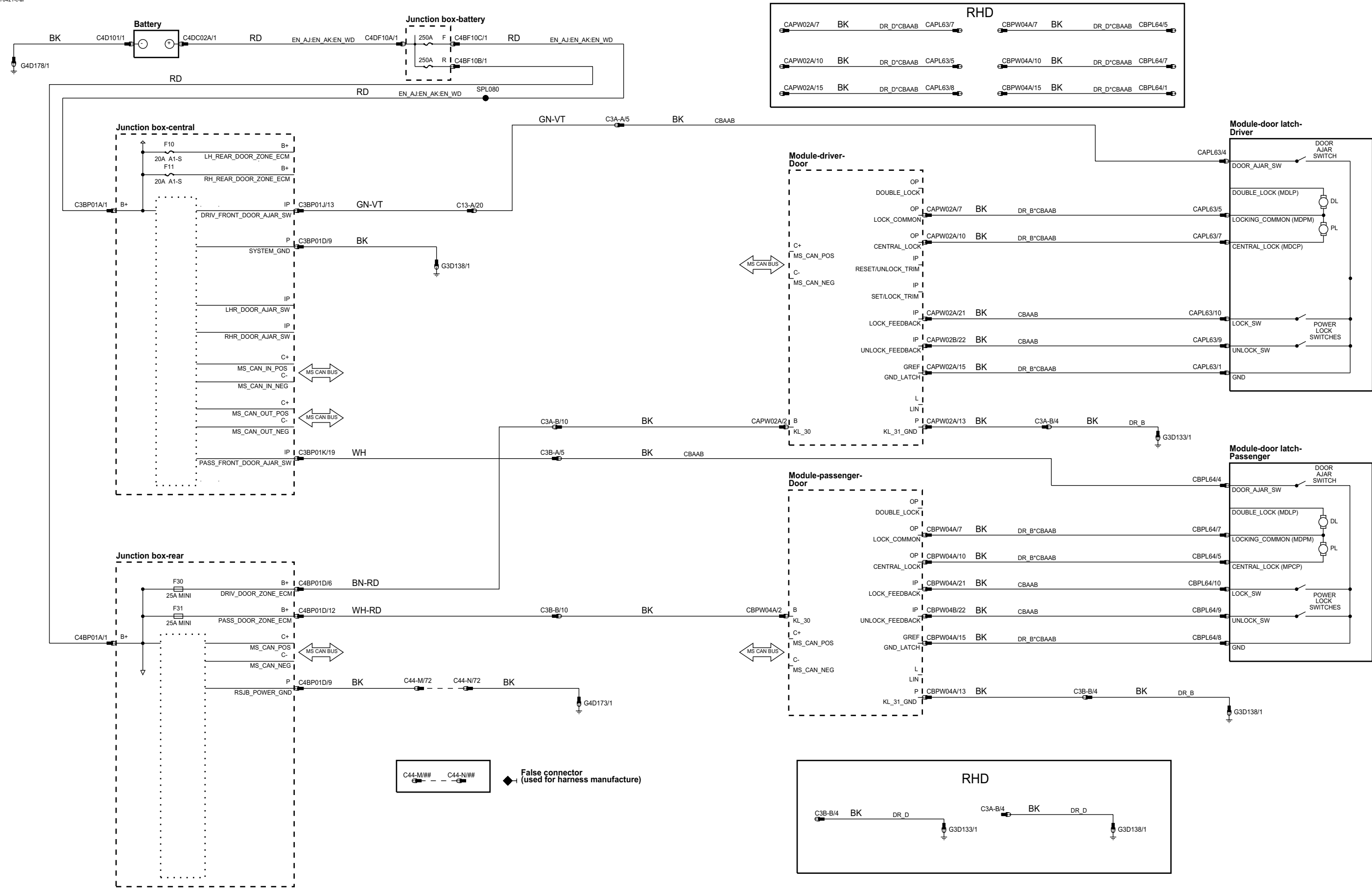


ph883-70421-b-af

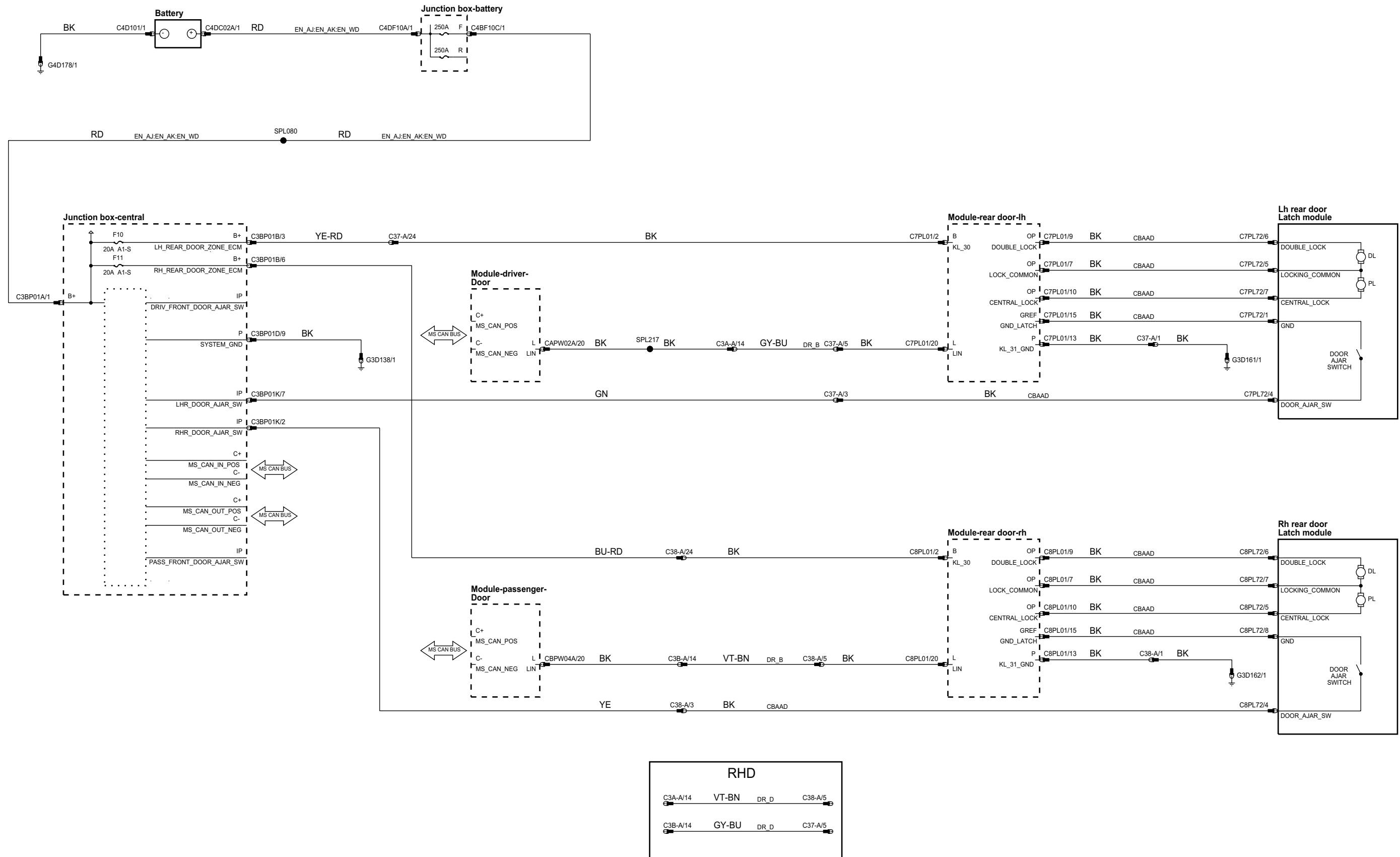




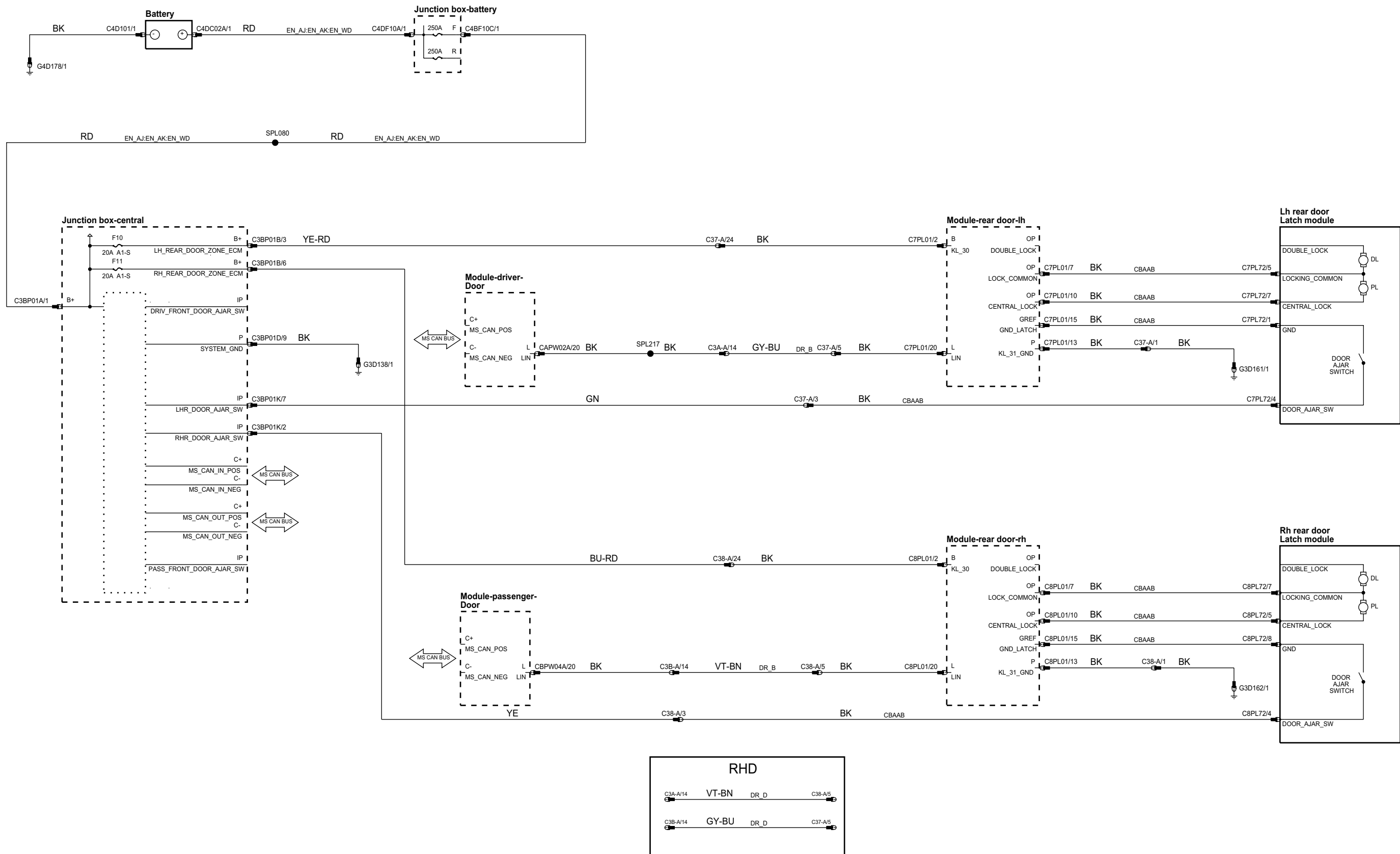
ph8r83-70421-c-af



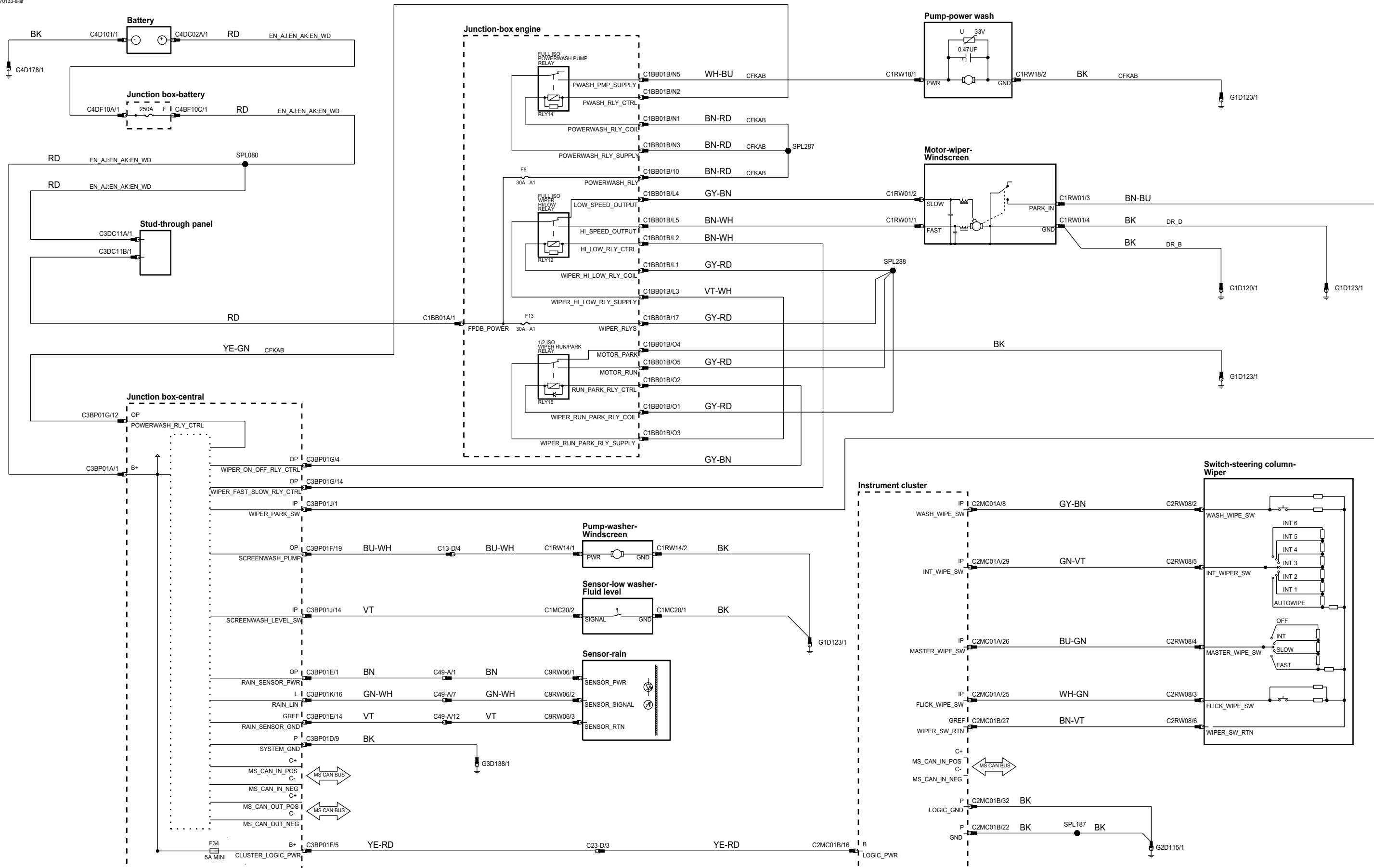
ph863-70421-d-af



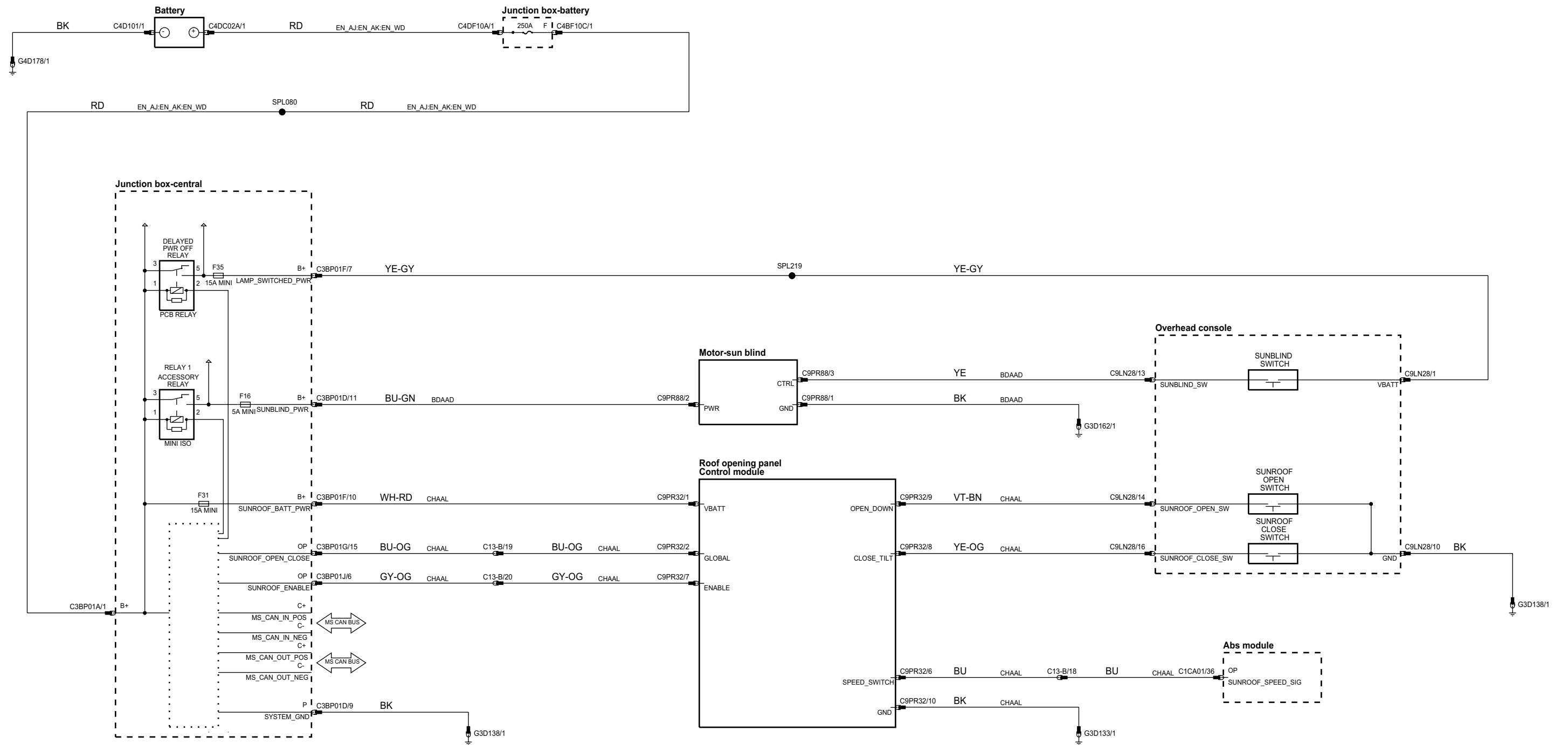
ph8/83-70421-e-af

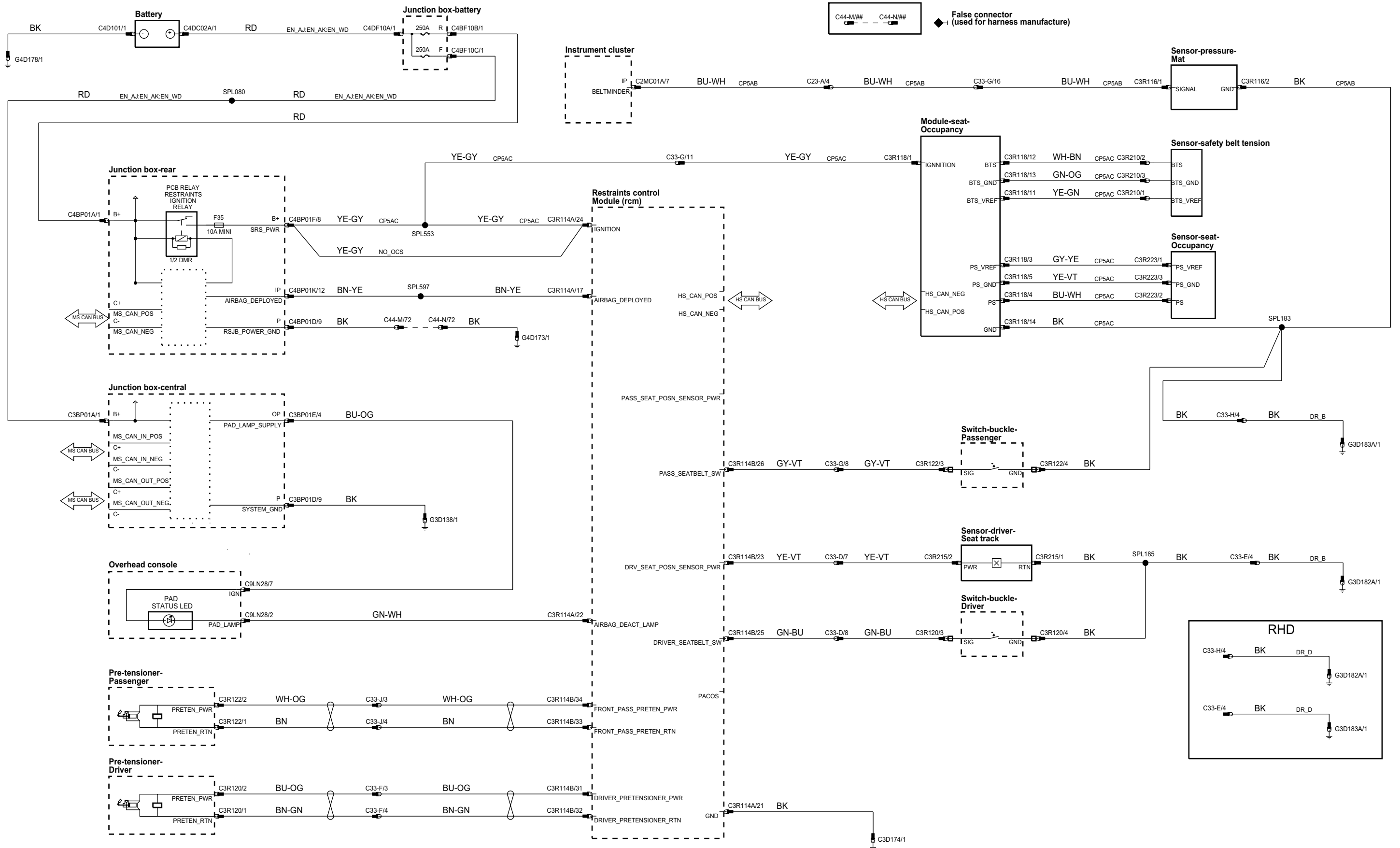


ph883-70133-a-af

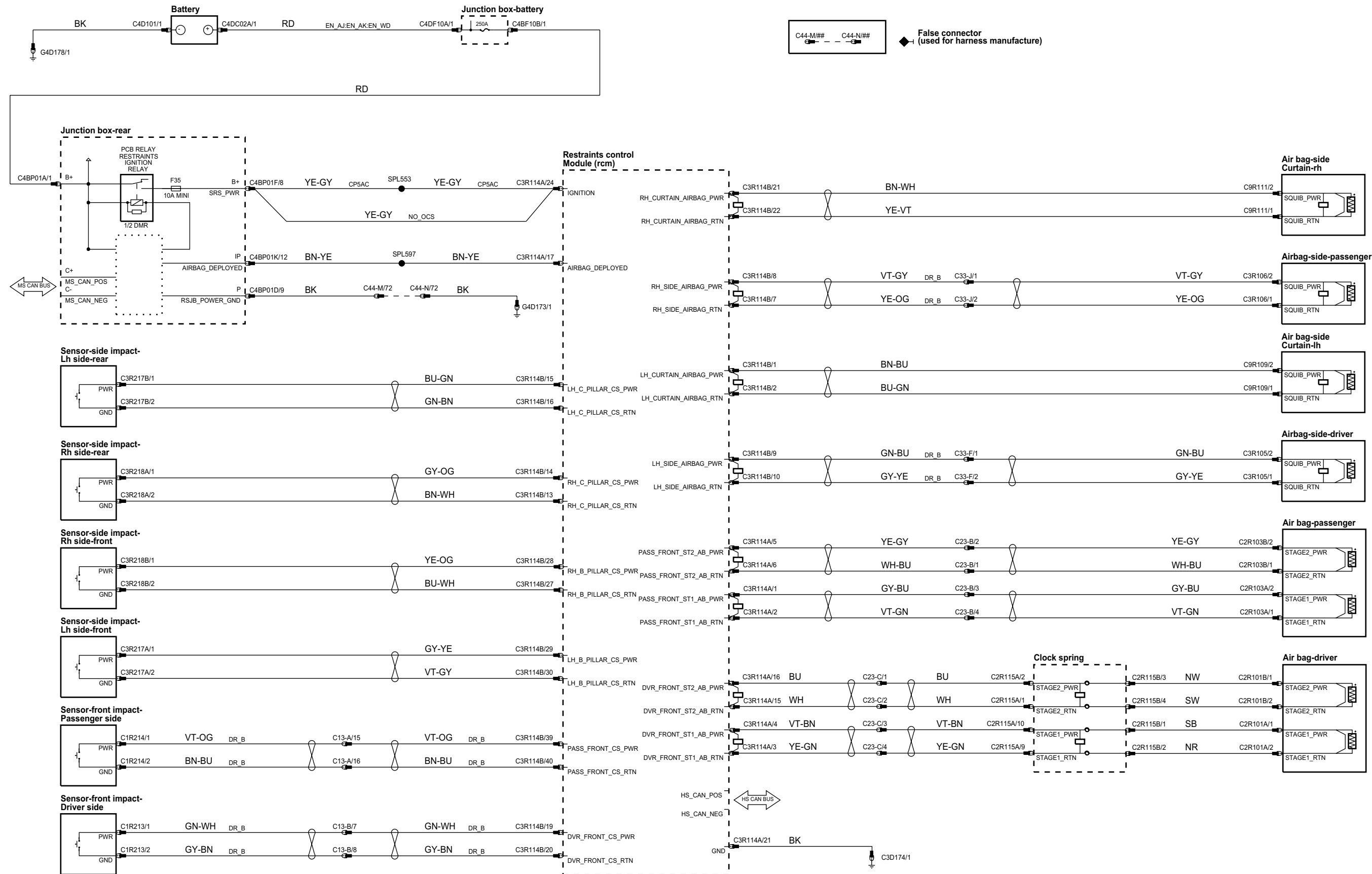


ph8/83-70317-a-af

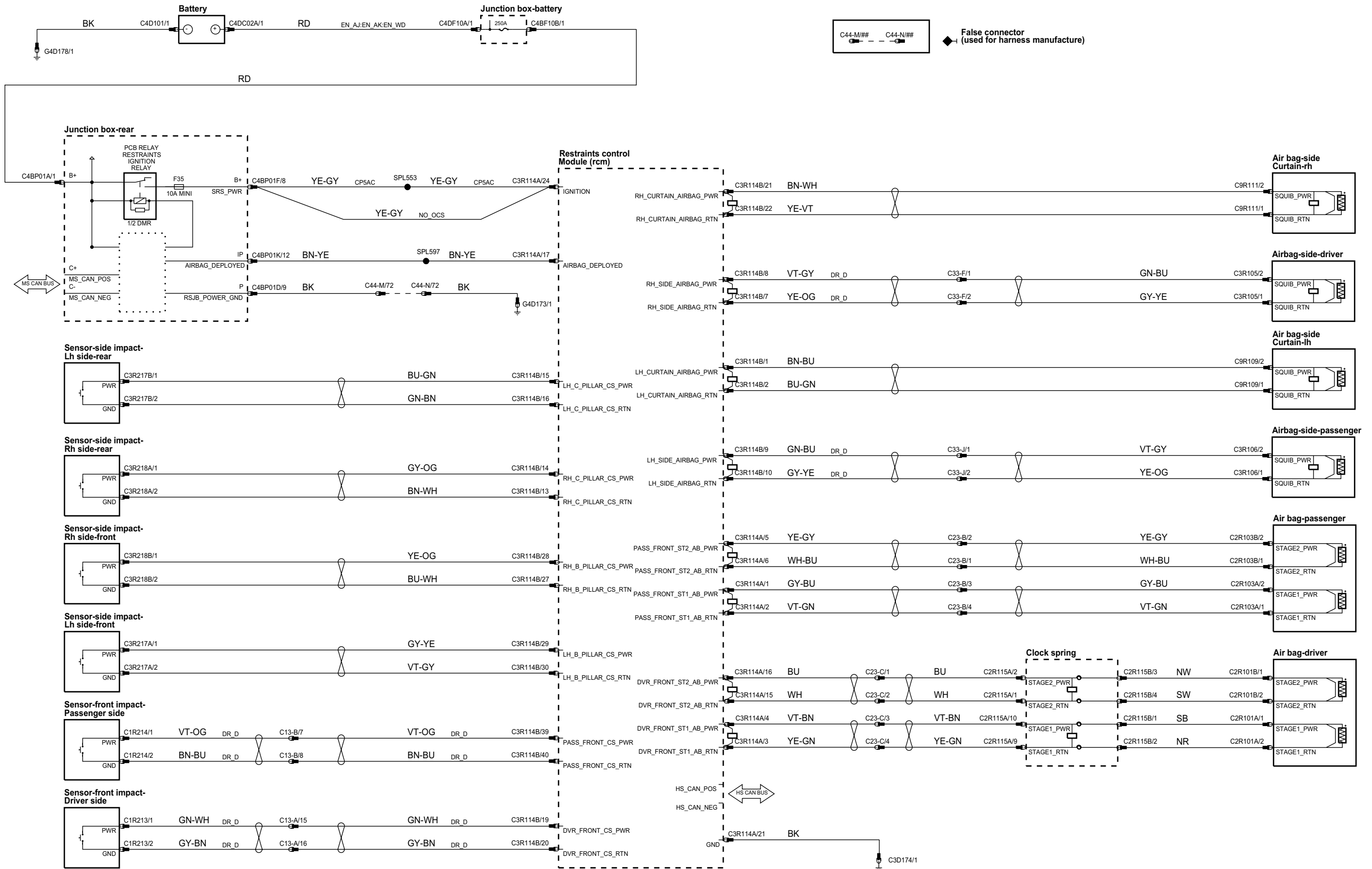




ph8r83-70150-a-af

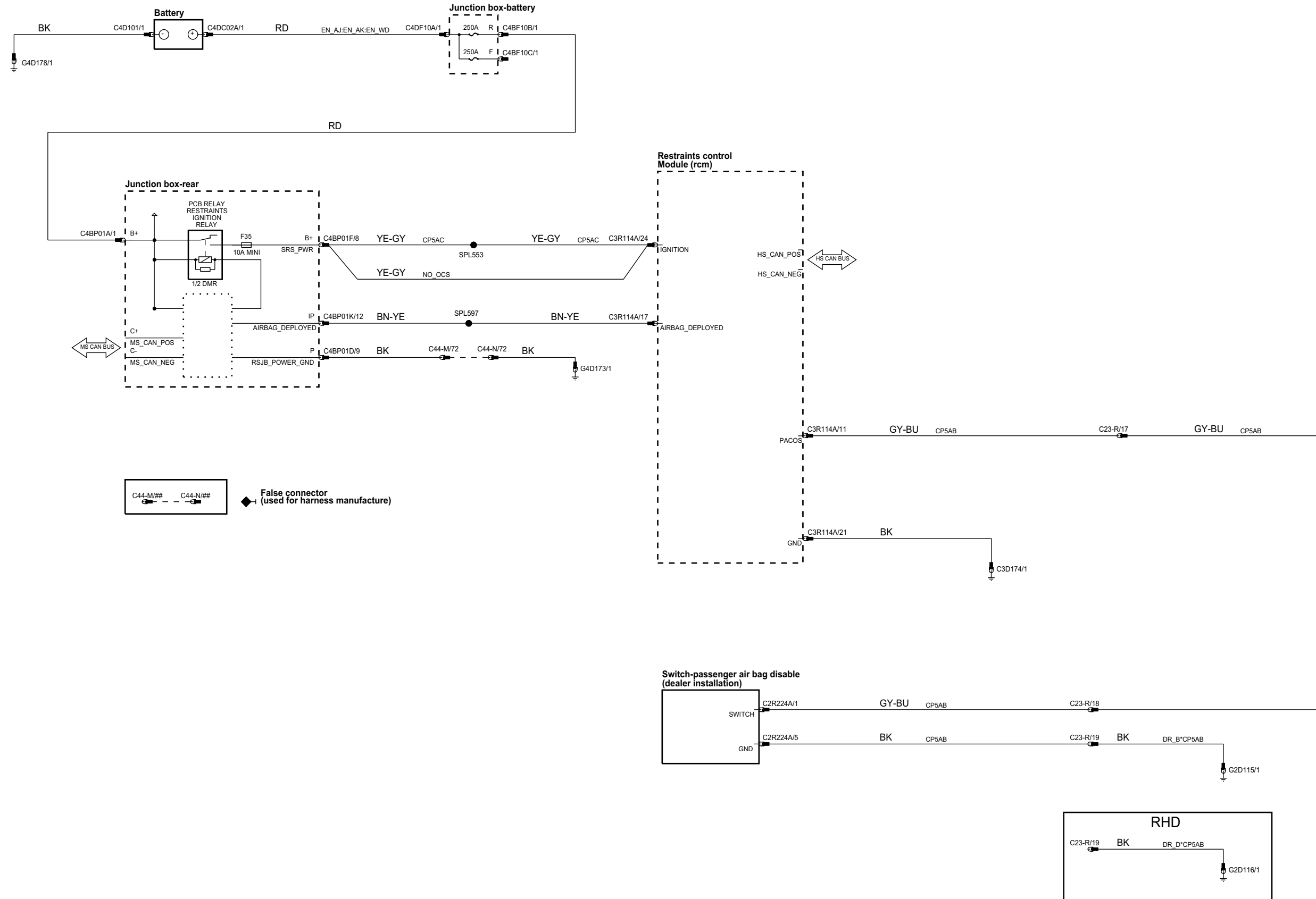


ph883-70150-d-af





ph8/83-70151-a-ae



ph883-70150-b-af

