

Creak/Chirp Noise From Rear Of Vehicle
On Rough/Uneven Surfaces –
Parking Brake Cables – Repair Procedure

MODEL 2002 MY-ON
X-TYPE

VIN C00294-E45113

Issue:

This Technical Bulletin has been issued to address customer concerns of a creak/chirp noise emanating from the rear of the vehicle over rough/uneven surfaces. This noise can be caused by oversize parking brake cables.

Action:

In case of a verified customer complaint of the above noise condition, measure the parking brake cable diameter.

If the parking brake cable is 12.5 mm or above, replace the cables. This is to be carried out as a separate Warranty Claim.

If the parking brake cable is under 12.5 mm, install new modified C-clips on the parking brake cables. Follow the Service Instruction outlined below.

1. Raise vehicle on lift.
2. Detach the rear parking brake cable from the mounting (Illustration 1).

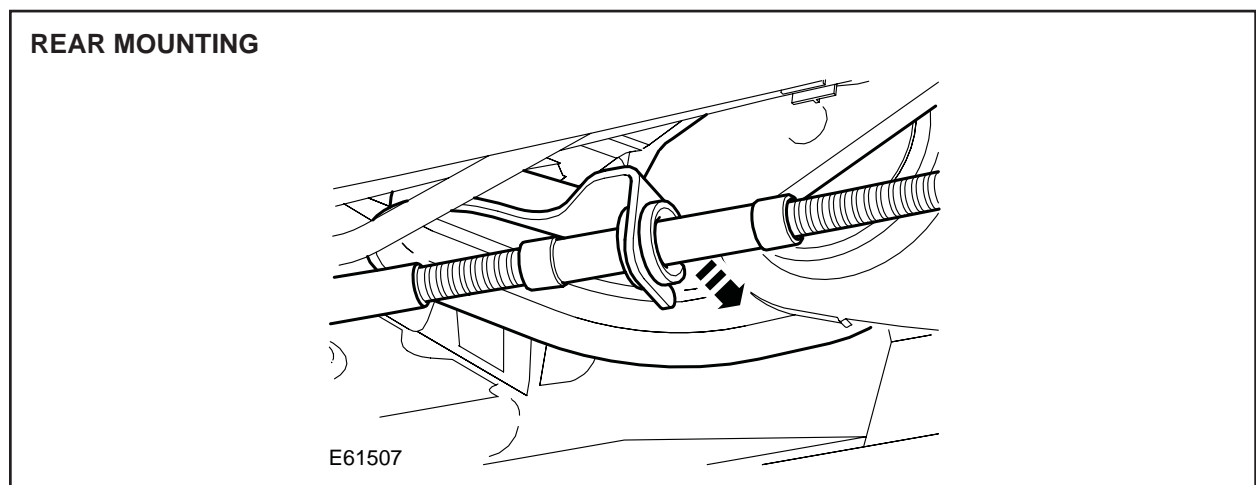


ILLUSTRATION 1

NOTE: THE INFORMATION IN TECHNICAL BULLETINS IS INTENDED FOR USE BY TRAINED, PROFESSIONAL TECHNICIANS WITH THE KNOWLEDGE, TOOLS, AND EQUIPMENT TO DO THE JOB PROPERLY AND SAFELY. IT INFORMS THESE TECHNICIANS OF CONDITIONS THAT MAY OCCUR ON SOME VEHICLES, OR PROVIDES INFORMATION THAT COULD ASSIST IN PROPER VEHICLE SERVICE. THE PROCEDURES SHOULD NOT BE PERFORMED BY "DO-IT-YOURSELFERS." DO NOT ASSUME THAT A CONDITION DESCRIBED AFFECTS YOUR CAR. CONTACT A JAGUAR DEALER TO DETERMINE WHETHER THE BULLETIN APPLIES TO YOUR VEHICLE.

3. Detach the C-clip from the rear parking brake cable (Illustration 2).

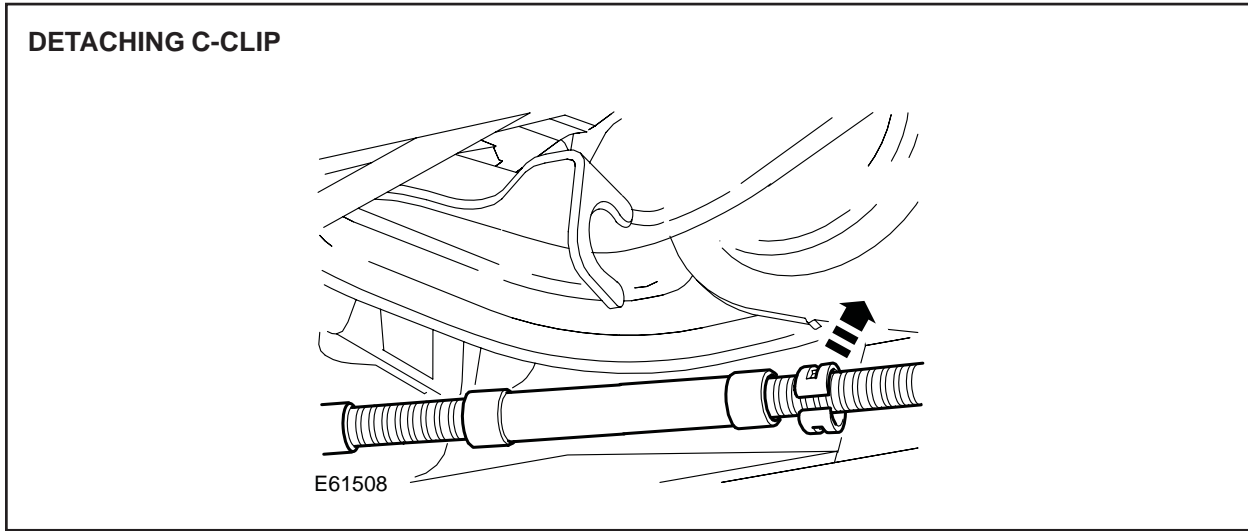


ILLUSTRATION 2

4. Install the new C-clip to the rear parking brake cable (Illustration 3).

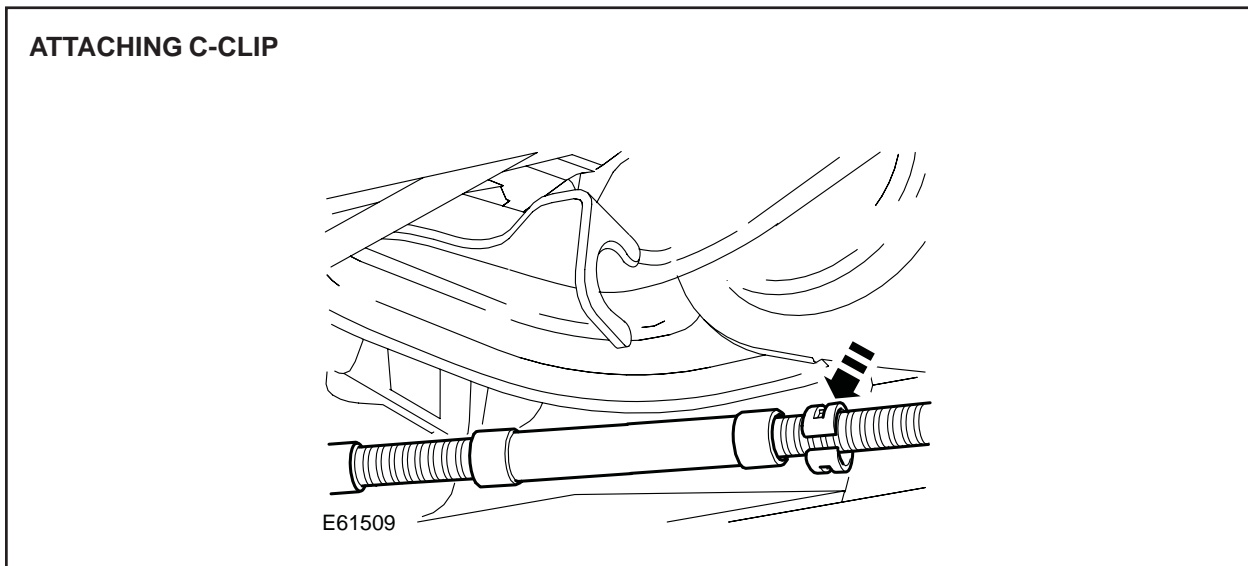


ILLUSTRATION 3

5. Install the rear parking brake cable to the mounting, ensuring the C-clip is in the centre of the crimps (Illustration 4).

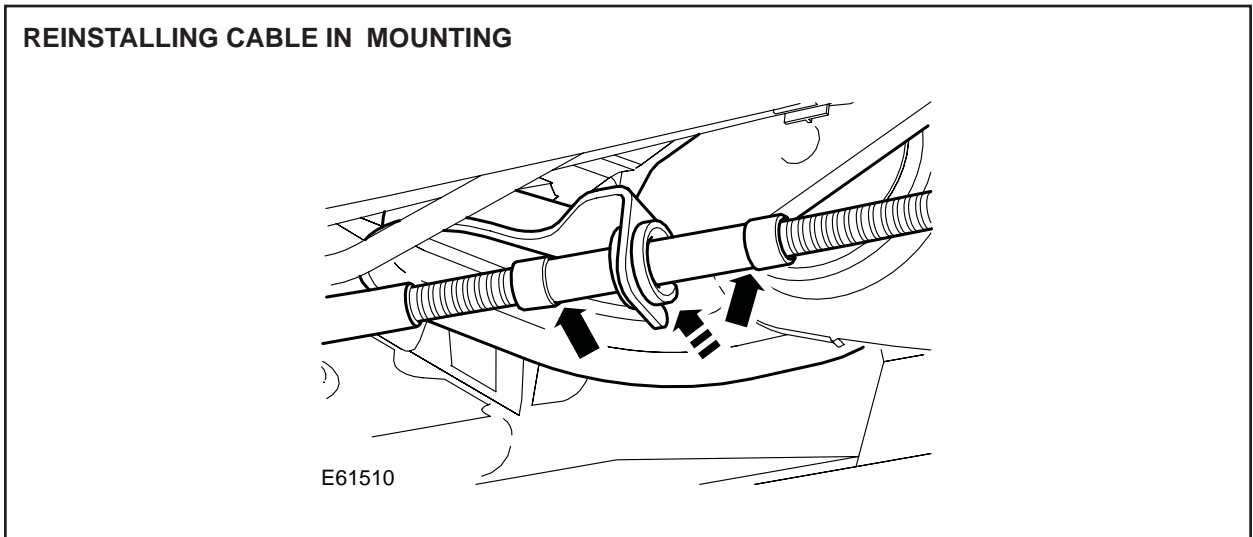


ILLUSTRATION 4

6. Carry out steps 2 to 5 for the opposite side rear parking brake cable.
7. Lower the lift.

Global Technical Reference (GTR) Workshop Manual Information:

Dealer access: <https://hub.franchise.jaguar.com>

Internet access: <http://www.jaguartechno.com>

Parts Information:

<u>DESCRIPTION</u>	<u>PART NUMBER</u>	<u>QTY</u>
Parking brake cable C-clip	C2S 41307	2

Warranty Information:

Warranty claims should be submitted quoting the information found in the table below. This will result in payment of the stated time and, where applicable parts/miscellaneous expense codes as listed.

Description	SRO	Time	Causal Part Number
Install parking brake cable C-clips	10.10.99	0.2 hrs.	C2S 41307